



**XC21**

DAVE LENNOX SIGNATURE® COLLECTION

R-410A - Two-Stage Compressor - SilentComfort™ Technology

**PRODUCT SPECIFICATIONS**

Bulletin No. 210586  
November 2015  
Supersedes September 2015

DAVE LENNOX  
*signature*  
COLLECTION



**iComfort.**

So simple. So smart. So comfortable.

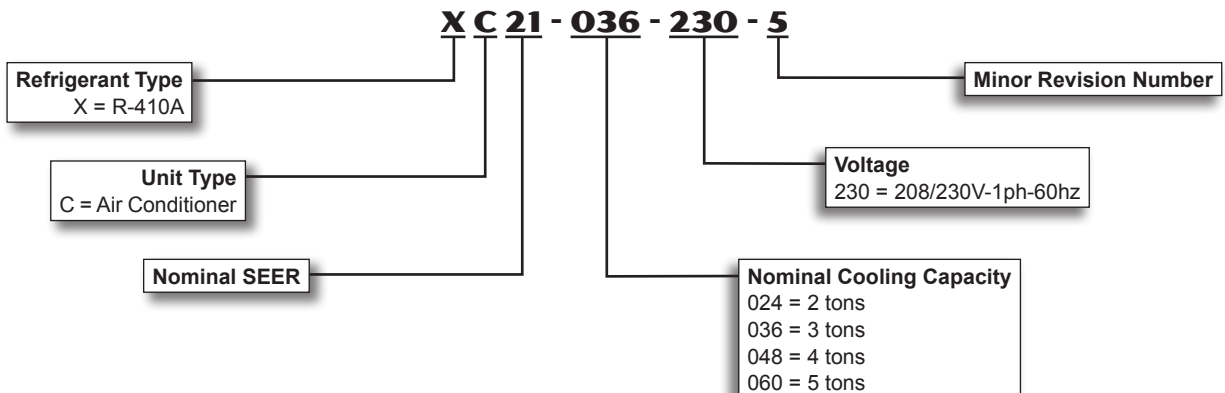
**SUNSOURCE®**  
Home Energy System



**SEER up to 21.00**  
**2 to 5 Tons**

**Cooling Capacity - 23,000 to 60,500 Btuh**

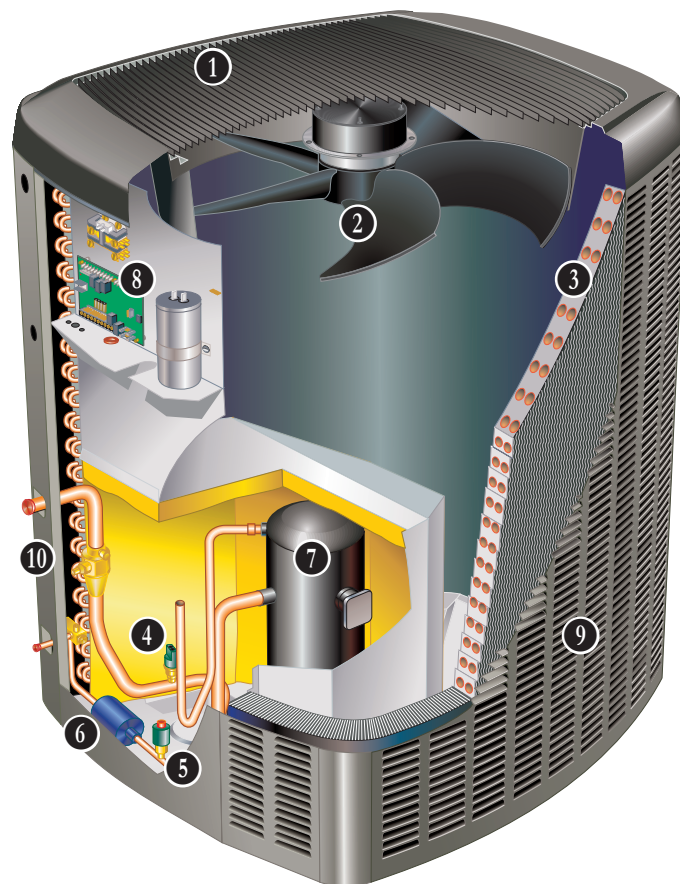
**MODEL NUMBER IDENTIFICATION**



## FEATURES

### CONTENTS

AHRI System Matches .....	15
Dimensions .....	13
Electrical Data.....	11
Features.....	2
Field Wiring.....	12
Installation Clearances .....	12
Model Number Identification .....	1
Optional Accessories .....	11
Outdoor Sound Data.....	12
Specifications.....	11
Sunsource® Home Energy System - Components .....	7



### WARRANTY

**Compressor - ten year limited** warranty in residential installations and five years in non-residential installations.

**All other covered components - ten years** in residential installations and one year in non-residential installations.

Refer to Lennox Equipment Limited Warranty certificate included with unit for specific details.

### APPROVALS

AHRI Certified to AHRI Standard 210/240-2008

Sound rated in Lennox reverberant sound test room in accordance with test conditions included in AHRI Standard 270-2008.

Tested in the Lennox Research Laboratory environmental test room.

Rated according to U.S. Department of Energy (DOE) test procedures.

Air conditioners and components within bonded for grounding to meet safety standards for servicing required by ETL, NEC, and CEC.

Units are ETL certified for the U.S. and Canada.

ISO 9001 Registered Manufacturing Quality System.

All models are listed in the GreenSpec® Directory, a leading resource of environmentally responsible products.

For expanded ratings, see [www.lennox.com](http://www.lennox.com).

### APPLICATIONS

SEER up to 21.00.

2 through 5 ton.

Single phase power supply.

Sound levels as low as 69 dB.

Vertical air discharge allows concealment behind shrubs at grade level or out of sight on a roof.

Matching add-on furnace indoor coils or air handlers provide a wide range of cooling capacities and applications. See AHRI System Matches.

See Indoor Coils and Air Handlers tab sections for data. Units shipped completely factory assembled, piped, and wired. Each unit is test operated at the factory insuring proper operation.

Installer must set air conditioner, connect refrigerant lines, and make electrical connections to complete job.

## FEATURES

### REFRIGERATION SYSTEM

#### R-410A Refrigerant

Non-chlorine, ozone friendly, R-410A.  
Unit pre-charged with refrigerant.  
See Specification table.



#### Outdoor Coil Fan with SilentComfort™ Technology

- 1 Specially-designed, SilentComfort™ fan guard uses Passive Vortex Suppression to reduce air noise. Constructed of corrosion-resistant PVC (polyvinyl chloride) coated steel.
- 2 Specially designed fan blades reduce operating sound levels. Direct drive fan moves large air volumes uniformly through entire condenser coil for high refrigerant cooling capacity. Vertical air discharge minimizes operating sounds and eliminates damage to lawn and shrubs. Fan motor is inherently protected. All models have a variable-speed outdoor fan motor for quiet operation. Motor totally enclosed for maximum protection from weather, dust and corrosion. Fan service access accomplished by removal of fan guard.



- 3 **Copper Tube/Enhanced Fin Coil**  
Lennox designed and fabricated coil.  
Ripple-edged aluminum fins.  
Copper tube construction.  
Lanced fins provide maximum exposure of fin surface to air stream resulting in excellent heat transfer.  
Fin collars grip tubing for maximum contact area.  
Flared shoulder tubing connections/silver soldering construction.  
Coil is factory tested under high pressure to insure leakproof construction.  
Entire coil is accessible for cleaning.
- 4 **High Pressure Switch**  
Shuts off unit if abnormal operating conditions cause the discharge pressure to rise above setting.  
Protects compressor from excessive condensing pressure.  
Automatic reset.
- 5 **Low Pressure Switch**  
Shuts off unit if suction pressure falls below setting.  
Provides loss of charge and freeze-up protection.  
Automatic reset.
- 6 **Hi-Capacity Liquid Line Drier**  
Factory installed in the liquid line, the drier traps moisture or dirt that could contaminate the refrigerant system.  
100% molecular-sieve bead type drier.

### Optional Accessories

#### Expansion Valve Kits

Must be ordered separately and field installed on certain indoor units. See TXV Usage table on page 14.  
Chatleff style fitting.

#### Freezestat

Installs on or near the discharge line of the indoor coil or on the suction line.  
Senses suction line temperature and cycles the compressor off when suction line temperature falls below it's setpoint.  
Opens at 29°F and closes at 58°F.

#### Refrigerant Line Kits

Refrigerant lines (suction & liquid) are shipped refrigeration clean. Lines are cleaned, dried, pressurized, and sealed at factory.  
Suction line fully insulated.  
L15 lines are stubbed at both ends.  
See Specifications table for selection.  
Not available for -060 model and must be field fabricated.

### 7 COMPRESSOR

#### Copeland Scroll Ultra Tech™ Two-Stage Compressor

Compressor features high efficiency with uniform suction flow, constant discharge flow, high volumetric efficiency and quiet operation.

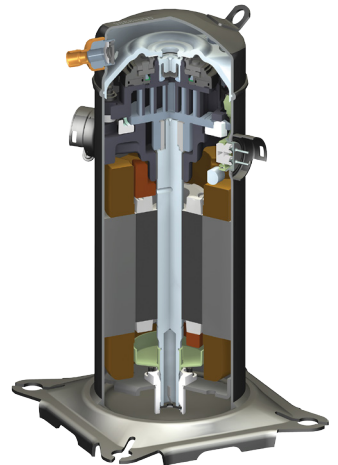
Compressor consists of two involute spiral scrolls matched together to generate a series of crescent shaped gas pockets between them.

During compression, one scroll remains stationary while the other scroll orbits around it.

Gas is drawn into the outer pocket, the pocket is sealed as the scroll rotates.

As the spiral movement continues, gas pockets are pushed to the center of the scrolls. Volume between the pockets is simultaneously reduced.

When the pocket reaches the center, gas is now at high pressure and is forced out of a port located in the center of the fixed scrolls. During compression, several pockets are compressed simultaneously resulting in a smooth continuous compression cycle.

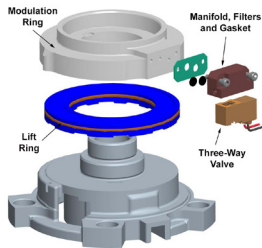


## FEATURES

### COMPRESSOR (continued)

Continuous flank contact, maintained by centrifugal force, minimizes gas leakage and maximizes efficiency. Scroll compressor is tolerant to the effects of slugging and contaminants. If this occurs, scrolls separate, allowing liquid or contaminants to be worked toward the center and discharged.

During the compression process, there are several pockets in the scroll that are compressing gas.



Modulation is achieved by venting a portion of the gas in the first suction pocket back to the low side of the compressor thereby reducing the effective displacement of the compressor.

A 24-volt DC solenoid valve inside the compressor controls staging. When the 3-way solenoid

is energized it moves the lift ring assembly to block the ports and the compressor operates at full-load or 100% capacity. When the solenoid is de-energized the lift ring assembly moves to unblock the compressor ports and the compressor operates at part-load or approximately 67% of its full-load capacity.

The "loading" and "unloading" of the two stage scroll is done "on the fly" without shutting off the single-speed compressor motor between stages.

Low gas pulses during compression reduces operational sound levels.

Compressor motor is internally protected from excessive current and temperature.

Compressor is installed in the unit on specially formulated, resilient rubber mounts for better sound dampening and vibration free operation.

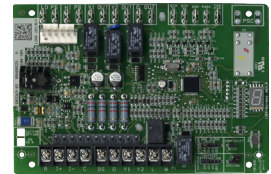
#### Crankcase Heater

Crankcase heater prevents migration of liquid refrigerant into compressor and ensures proper compressor lubrication.

### CONTROLS

#### 8 iComfort™ Control

Advanced control communicates information about various operating parameters in the air conditioner to the optional *iComfort Wi-Fi® Thermostat* to constantly maintain the highest level of comfort, performance and efficiency available.



Connections for connecting a conventional heating/cooling thermostat are also provided on the control.

Auto Configuration - On start-up the control automatically sends a description of the unit to the optional *iComfort Wi-Fi® Thermostat* to automatically configure the number of stages and features available.

#### Seven-Segment Display

Seven-segment display shows information about outdoor unit type and capacity and also displays alerts for common fault conditions (electrical and mechanical).

Control also features:

- Compressor anti-short cycle delay. User selectable with communicating thermostat - 1, 2, 3, 4 or 5 minutes. Default setting is 5 minutes. Compressor must operate in first stage a minimum of 5 seconds before second stage operation is permitted.
- Low voltage protection prevents 2nd stage compressor operation when voltage is not within the specified range.
- High and low pressure switch monitoring with provisions for lockout.
- Five-Strike lockout protection protects compressor.
- Discharge line temperature and sensor monitoring.
- Fan cycling operates outdoor fan for 5 minutes when outdoor ambient air temperature is between 15°F and 35°F and the compressor has been off for 25 to 30 minutes. Reduces the potential for ice buildup on the fan orifice ring. User selectable 5 minutes on or off (default setting).
- Lennox Humiditrol® Whole Home Dehumidification System (EDA) compatible.
- EEPROM storage of all local configurations.

#### Outdoor Air Temperature Sensor

Used with iComfort®-enabled Thermostats.

Sensor allows thermostat to display outdoor temperature. Sensor is auto-detected when connected to thermostat.

Also used for *Humiditrol®* applications.



## FEATURES

### CONTROLS (continued)

#### Optional Accessories

#### iComfort® S30 Thermostat (part of the iComfort® Residential Communicating Control System)

The iComfort® S30 Thermostat recognizes and connects to all iComfort®-enabled products to automatically configure and control the heating/cooling system (based on user-specified settings) for the highest level of comfort, performance and efficiency. Also recognizes model and serial number information for iComfort®-enabled products to simplify system setup.



Wi-Fi remote temperature monitoring and adjustment through a home wireless network for desktop PCs, laptops and apps for smartphones or tablets. Also displays service alerts and reminders.

Dealer Dashboard features online real-time monitoring of installed iComfort® systems.

A simple easy-to-use touchscreen allows complete system configuration. Scheduled maintenance alerts, system warnings and troubleshooting are also displayed on thermostat screen.

Easy to read 7 in. high definition color display (measured diagonally).

Installer setup screens allow quick and simple system configuration without a manual, Installer can also run tests on complete system or individual components for easy maintenance and troubleshooting.

Serial communications bus (RSBus), with less wiring than a conventional heating/cooling system, allows system communication. Uses 4-wire, 18-gauge standard thermostat wiring.

Remote outdoor temperature sensor (furnished with outdoor unit) allows the thermostat to display outdoor temperature. Required in *Humiditrol*® applications.

High Definition Color Display, Mag-Mount, Smart Hub Controller, wallplate (for retrofit installations) furnished for easy installation.

See the iComfort® S30 Thermostat Product Specifications bulletin in the Controls section for more information.

#### iComfort Wi-Fi® Thermostat (part of the iComfort® Residential Communicating Control System)

The iComfort Wi-Fi® Thermostat recognizes and connects to all iComfort®-enabled products to automatically configure and control the heating/cooling system (based on user-specified settings) for the highest level of comfort, performance and efficiency. Also



recognizes model and serial number information for iComfort®-enabled products to simplify system setup.

Wi-Fi remote temperature monitoring and adjustment through a home wireless network for desktop PCs, laptops and apps for smartphones or tablets. Also displays service alerts and reminders.

Dealer Dashboard features online real-time monitoring of installed iComfort® systems.

A simple easy-to-use touchscreen allows complete system configuration. Scheduled maintenance alerts, system warnings and troubleshooting are also displayed on thermostat screen.

Easy to read 7-inch color screen (measured diagonally).

Installer setup screens allow quick and simple system configuration without a manual, Installer can also run tests on complete system or individual components for easy maintenance and troubleshooting.

Serial communications bus (RSBus), with less wiring than a conventional heating/cooling system, allows system communication. Uses 4-wire, 18-gauge standard thermostat wiring.

Remote outdoor temperature sensor (furnished with outdoor unit) allows the thermostat to display outdoor temperature. Required in *Humiditrol*® applications.

See the iComfort Wi-Fi® Thermostat Product Specifications bulletin in the Controls section for more information.

## FEATURES

### CONTROLS (continued)

#### Optional Accessories

##### ComfortSense® 7500 Touchscreen Thermostat

Electronic 7-day, universal, multi-stage, programmable, touchscreen thermostat.

4 Heat/2 Cool.

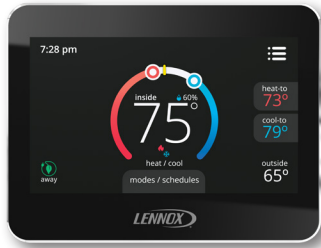
Auto-changeover.

Controls dehumidification during cooling mode.

Offers enhanced capabilities including humidification / dehumidification / dewpoint measurement and control, Humiditrol® control, and equipment maintenance reminders.

Easy-to-use, menu driven thermostat with a back-lit, LCD touchscreen.

See the ComfortSense® 7500 Product Specifications bulletin in the Controls section for more information.



##### Remote Outdoor Temperature Sensor for ComfortSense® 7500 Thermostat

Allows the thermostat to display outdoor temperature. Required in *Humiditrol*® applications.

##### Thermostat

Thermostat is not furnished with unit.

See Thermostat bulletins in Controls Section and Lennox Price Book for selection.

##### Blower Relay Kit

(For Use With EL195E and ML180E Gas Furnaces)

Allows furnace blower speed changes when matched with two-stage air conditioners.

##### Compressor Hard Start Kit

Single-phase units are equipped with a PSC compressor motor.

This type of motor normally does not need a potential relay and start capacitor.

In conditions such as low voltage, kit may be required to increase the compressor starting torque.

##### Indoor Blower Off Delay Relay

Delays the indoor blower-off time during the cooling cycle. Required if outdoor unit is used with a conventional heating-cooling thermostat and air handler (not *iComfort*™ control). See furnace or air handler specifications to determine if relay is needed.

##### Indoor Blower Speed Relay Kit

Relay kit provides the option of changing blower speeds on standard permanent split capacitor (PSC) multi-tap blower motors during cooling operation.

Provides optimum humidity control conditions by automatically reducing indoor blower speed during continuous fan operation or low stage compressor operation to reduce humidity levels.

##### Low Ambient Kit

Air conditioner will operate satisfactorily down to 45°F outdoor air temperature without any additional controls. Kit can be added in the field enabling unit to operate properly down to 30°F.

A Freezestat should be installed on compressors equipped with a Low Ambient Kit.

A Compressor Low Ambient Cut-Off Switch should be added to terminate compressor operation below recommended operation conditions.

### CABINET

Heavy-gauge steel construction

Pre-painted cabinet finish.

Compressor and control box located in a separate compartment, insulated with thick fiberglass insulation. Compartment provides protection from the weather and keeps sound transmission at a minimum.

Control box is conveniently located with all controls factory wired.

Large removable panel provides service access.

Drainage holes are provided in base section for moisture removal.

High density polyethylene unit support feet raise the unit off of the mounting surface, away from damaging moisture.

##### PermaGuard™ Unit Base

Durable zinc-coated base section resists rust and corrosion.

#### 9 SmartHinge™ Louvered Coil Protection

Steel louvered panels provides complete coil protection.

Panels are hinged to allow easy cleaning and servicing of coils.

Panels may be completely removed.

Interlocking tabs and slots assure tight fit on cabinet.



#### Refrigerant Line Connections, Electrical Inlets and Service Valves

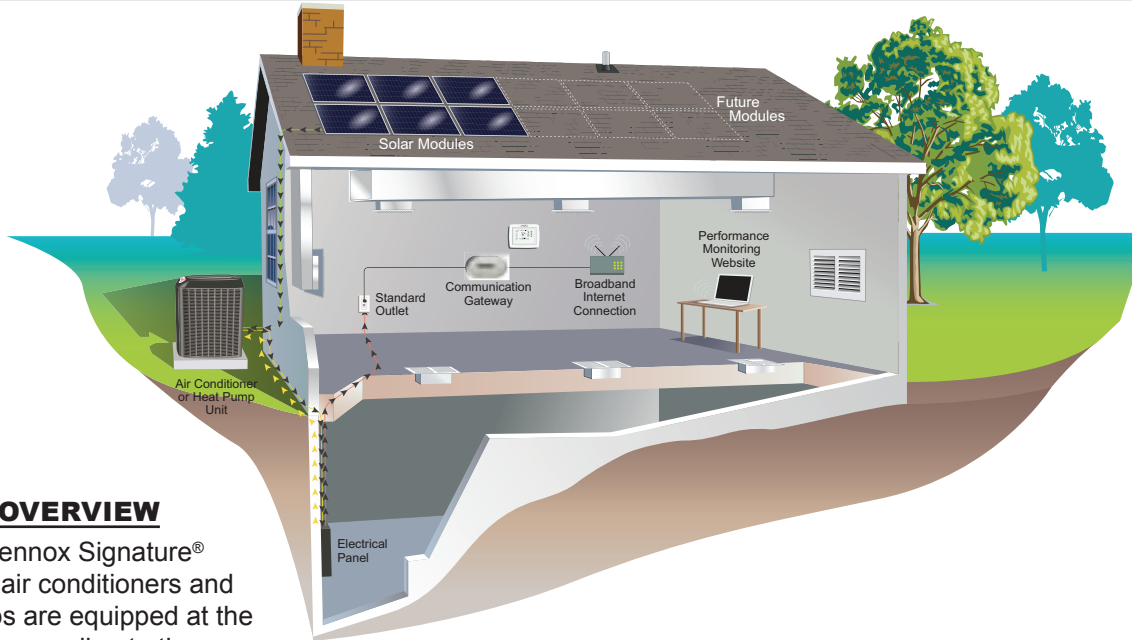
#### 10 Suction and liquid lines are located on corner of unit cabinet and are made with sweat connections. See dimension drawing.

Fully serviceable brass service valves prevent corrosion and provide access to refrigerant system. Suction valve can be fully shut off, while liquid valve may be front seated to manage refrigerant charge while servicing system.

Suction and liquid line service valves and gauge ports are located inside the cabinet.

Refrigerant line connections and field wiring inlets are located in one central area of the cabinet. See dimension drawing.

## SUNSOURCE® HOME ENERGY SYSTEM - COMPONENTS



### SYSTEM OVERVIEW

All Dave Lennox Signature® Collection air conditioners and heat pumps are equipped at the factory for upgrading to the SunSource® Home Energy System.

Units can be upgraded at the time of installation or in the future.

Solar energy is first used to meet cooling/heating demands. When the cooling/heating system is not operating, the system powers lighting, appliances and other electronic devices in the home. And in some locations, any surplus power is sent back to the utility company for a possible credit (check with your local utility company for availability).

The SunSource system consists of the following components:

- Lennox Solar Sub-Panel field installed in a Dave Lennox Signature® Collection air conditioner or heat pump unit.
- SolarWorld Pre-Engineered Kits consisting of:
  - SolarWorld Solar Modules (1 to 16 may be used to vary the amount of electricity generated).
  - Enphase Microinverter that converts Direct Current to Alternating Current.
  - Enphase Envoy Communications Gateway for solar power performance monitoring.
  - Roof Mounting Components.

Wiring from the roof mounted solar modules is routed to the outdoor unit. From there power travels to the home electrical service panel using the existing outdoor unit power wiring.

*NOTE - Refer to separate Product Specifications Bulletin for the SunSource® Home Energy System for more detailed information. See section Solar - Kits/ Accessories.*

Also refer to **SunSource® Home Energy System Applications and Design Guidelines** Manual (Corp. 1312-L2) for complete information on designing, sizing and installing a complete system.

### APPROVALS

The SunSource® Home Energy System meets the requirements for federal tax credit eligibility listed under the U.S. Emergency Economic Stabilization Act of 2008, covering 30% of the cost of the solar modules, including installation.

### LENNOX® SOLAR SUB-PANEL

The Lennox® Solar Sub-Panel replaces the factory piping panel on the outdoor unit and provides circuit breaker protection and power entry for both HVAC (line) and solar power wiring.

Sub-Panel is equipped with separate circuit breakers for both HVAC (line) voltage and solar power.

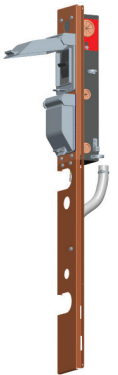
Equipped with pigtail connections for easy field wiring.

Sub-Panel is an ETL listed accessory.

Split design (upper/lower panel) allows installation on different size outdoor units. Sub-Panel is furnished with three separate lower panels. See Outdoor Unit Usage table for correct lower panel size.

*NOTE - Sub-Panel is not backwards compatible with older non Solar-Ready Dave Lennox Signature® Collection outdoor units.*

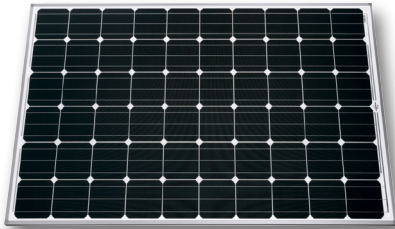
Disconnects for HVAC (line) and solar power wiring are not furnished and must be field provided.



## SUNSOURCE® HOME ENERGY SYSTEM - COMPONENTS

### SOLAR MODULE

Captures solar energy to convert into AC power through the Enphase Microinverter.



Laminated solar module structure consists of the solar glass, two ethylene vinyl acetate (EVA) sheets, the solar cell matrix and a back sheet.

Thick low-iron safety glass withstands extreme weather conditions and heavy snow loads.

Solar modules are ETL/Intertek listed for the US and Canada to UL Standard 1703 and meet National and Canadian Electrical Code requirements.

#### Solar Module Frame

Available in black or clear anodized silver frame with cast aluminum corner keys.

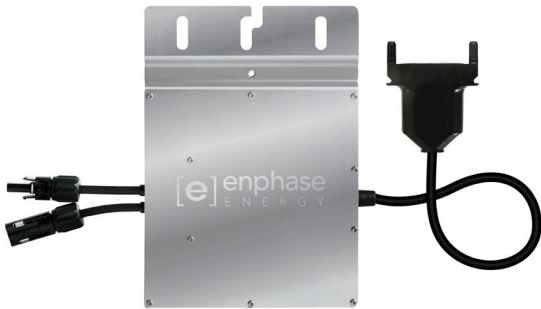
Low profile with extended flange.

Compatible with “top-down” and “bottom-up” mounting methods.

Eight grounding locations (Four corners of the frame and four locations along the length of the module in the extended flange).

Extended cable lengths for easier installation.

### ENPHASE MICROINVERTER



Converts Direct Current (DC), captured by a solar module, to Alternating Current (AC) power. Each solar module is paired with one Enphase Microinverter.

Installed beneath each solar module on the roof.

Enphase Microinverters operate independently from each other allowing solar modules that are not shaded or dirty to operate with optimum performance.

Supports low-light and low-voltage operation.

### SYSTEM MONITORING

#### Enphase Envoy Communications Gateway (Communications Booster Furnished)

The Enphase Envoy Communications Gateway monitors microinverter (on solar modules) performance and can be connected to a broadband internet connection to send

data to the Enphase Enlighten™ web site for online monitoring by the homeowner. The Enphase Envoy Communications Gateway is not required, but must be used if system performance monitoring is desired.

Limited system monitoring is also available locally with the Enphase Envoy Communications Gateway and a personal computer if no internet connection is available.

Various Event Messages are also available when monitoring the system via a personal computer locally.

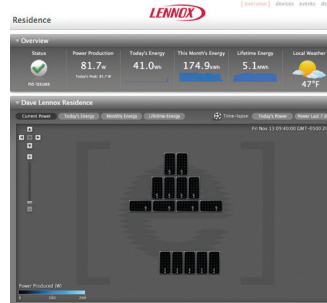
Contents - (1) Enphase Envoy Communications Gateway, (1) Communications Booster, (1) 6 ft. power cord, (1) 10 ft. Ethernet cable, communications booster. CSA (US/C) listed.

The Enphase Envoy Communications Gateway includes a Communications Booster which may or may not be needed depending upon how far the Envoy is away from the solar modules.

#### Communications Booster

Ethernet bridge signal booster for the Enphase Envoy Communications Gateway. Booster is only needed if the communications gateway is installed and signal is not strong enough in the installed location. Allows the unit to be plugged into an outlet closer to the distribution panel, yet still plug into the broadband router.

#### Enphase Enlighten™ Performance Monitoring Website



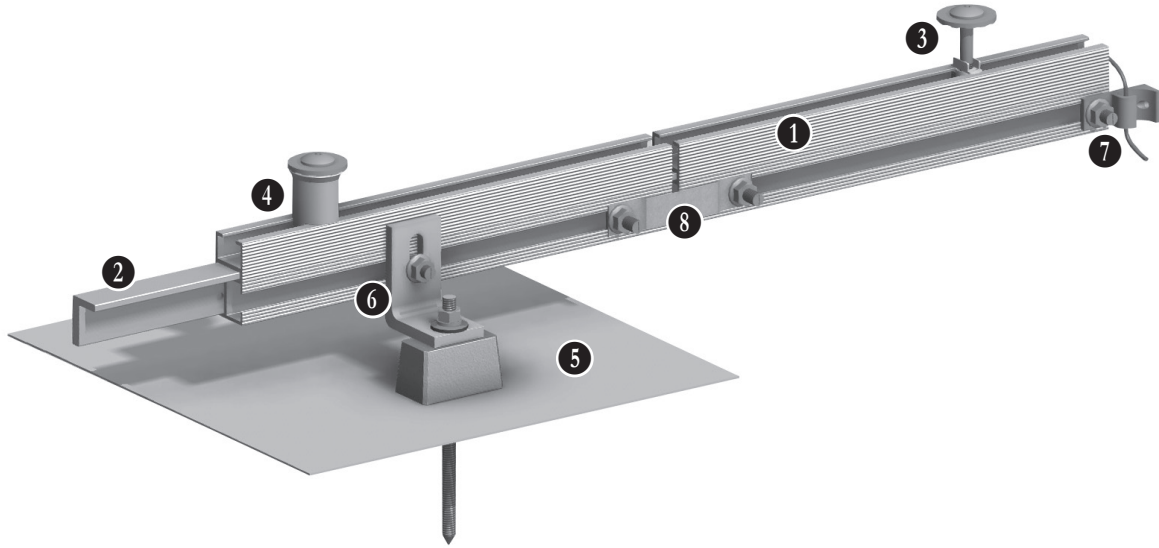
Powered by the Enphase Envoy Communications Gateway, the Enphase Enlighten™ Performance Monitoring website allows the homeowner to keep track of home energy usage and see environmental benefits in real time. Also aids in troubleshooting any solar-related issues.

See demos, view reference installations and other additional information at:

<http://enlighten.enphaseenergy.com/>



**ROOF MOUNTING COMPONENTS**



- 1 **Rails** - Provides a mounting surface for Solar Modules in portrait orientation using associated hardware. Serrations on sides of rails provide a secure and stable mating surface for hardware (L-Brackets, Rail Splice Ground Jumper, Ground Lug). Available in 122 in. (3099 mm) and 162 in. (4115 mm) lengths.
- 2 **Rail Splice Bar Connector** - For connecting two lengths of rail together. No fasteners required. Pin on center of splice leaves a gap between rails to allow for thermal expansion.
- 3 **Top Clamp Assembly (Silver or Black)** - M8 T40 bolt with channel nut, bolt positioning retainer and serrated module clamping washer. Inserts into rail slot to secure modules and set spacing in-between each one.
- 4 **End Clamp Aluminum Spacer (Silver or Black)** - Used with Top Clamp Assembly for securing the end of module mounting row.
- 5 **Composition Roof Mount/Flashing (Mil Aluminum or Bronze)** - Provides roof mounting surface for mounting system. Size - 12 x 12 in. (305 x 305 mm). Base block, hanger bolt and hardware furnished. Adds 1-1/4 in. (32 mm) height below the L-Bracket.
- 6 **L-Bracket** - Clear anodized aluminum with serrated mating surface. Fastens rail to Roof Mount/Flashing. Has two 1 in. (25 mm) slots that provide adjustment from 2-1/2 to 3-1/2 in. (64 to 89 mm).
- Wire Clip (not shown)** - Provides wire management for solar array wiring. Fastens to edge of rail. For 10 AWG.
- Ground Lug (not shown)** - Tin plated, WEEB 8.0, lay-in type. Mounts to corner of solar module.
- 7 **Rail-Equipment Ground WEEB 8.0 Lug** - T-bolt slides into rail for secure connection.
- 8 **Rail Splice Ground Jumper** - WEEB 8.0, pre-assembled with T-bolts. Electrically bonds rails together. Required at each rail splice.

**Rooftop Junction Box (not shown)** - Soladeck JBox with flashing. Used to transition from the AC-Interconnection cable to wiring/conduit to the outdoor unit. ETL-listed weather-tight enclosure.

**Passthru Kit (not shown)** - Used with Rooftop Junction Box. One-branch AC passthru kits. Contains all necessary wiring hardware.

**ENPHASE ENGAGE CABLE COMPONENTS**

**Enphase Engage Cable** - The Engage Cable (shown with connector) is a 12 AWG cable with pre-installed connectors (portrait aligned) that plug into the Microinverter. Four wire cable (240V single-phase).



**Enphase Engage Cable Terminator** - Each Engage Cable is terminated at a junction or combiner box. The opposite end of the cable must be terminated with an Engage Cable Terminator cap.



**Enphase Engage Disconnect Tool** -

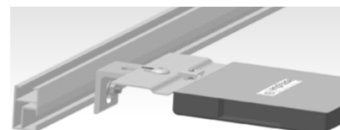


Specialized tool that disconnects the Engage Cable from a Microinverter or watertight sealing cap.

**Enphase Engage Water-tight Sealing Cap** - Use when open connections on the Engage Cable are not mated to a Microinverter.



**ENPHASE MICROINVERTER MOUNTING**



L-Bracket and associated hardware to mount microinverter to rail.

## SUNSOURCE® - PRE-ENGINEERED KITS

### ORDERING

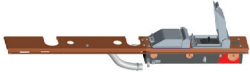
SunSource® Pre-Engineered Kits are available for composition shingle roofs, standing seam roofs, trapezoid metal roofs, flat tile roofs and S tile roofs. See the Sunsource Home Energy System Product Specifications bulletin for complete Pre-Engineered Kits ordering instructions and the Ordering Process Flowchart/Worksheet.

The Installation Package contains the appropriate number of required Rails, Splices, Brackets, Clamps, Clips and assorted hardware (nuts/bolts/washers) for the installation.

### NOTE

*The Lennox® Solar Sub-Panel for the outdoor unit must be ordered separately. See below for ordering information.*

### Lennox® Solar Sub-Panel



Order one per outdoor unit. Replaces the outdoor unit piping panel and provides the connection between the solar modules and outdoor unit.

**62E02**

## LENNOX® SOLAR SUBPANEL - OUTDOOR UNIT USAGE

Outdoor Unit Model No.	Lower Subpanel Height - in. (mm)
	27 (686)
XC21 (All Sizes)	X

## SPECIFICATIONS

General Data		Model No.	XC21-024	XC21-036	XC21-048	XC21-060
Nominal Tonnage			2	3	4	5
Liquid line (o.d.) - in.			3/8	3/8	3/8	3/8
Suction line (o.d.) - in.			7/8	7/8	7/8	1-1/8
Refrigerant		<sup>1</sup> R-410A charge furnished	11 lbs. 12 oz.	12 lbs. 5 oz.	13 lbs. 8 oz.	12 lbs. 5 oz.
Outdoor Coil	Net face area - sq. ft.	Outer coil	27.21	27.21	27.21	27.21
		Inner coil	26.36	26.36	26.36	26.36
	Tube diameter - in.	5/16	5/16	5/16	5/16	
	No. of rows	2	2	2	2	
	Fins per inch	22	22	22	22	
Outdoor Fan	Diameter - in.		26	26	26	26
	No. of blades		5	5	5	5
	Motor hp		1/3	1/3	1/3	1/3
	Cfm - 1st stage		2500	3350	3825	3825
	2nd stage		2900	3845	4230	4230
	Rpm - 1st stage		425	525	600	600
	2nd stage		500	600	675	675
	Watts - 1st stage		50	90	135	135
2nd stage		75	125	185	185	
Shipping Data - lbs. - 1 pkg.			314	331	337	338

## ELECTRICAL DATA

Line voltage data - 60hz		208/230V-1ph	208/230V-1ph	208/230V-1ph	208/230V-1ph
<sup>2</sup> Maximum overcurrent protection (amps)		25	35	45	60
<sup>3</sup> Minimum circuit ampacity		20	21.1	28.5	35.8
Compressor	Rated load amps	11.7	15.3	21.2	27.1
	Locked rotor amps	58.3	83	104	152.9
	Power factor	0.98	0.98	0.98	0.98
Outdoor Fan Motor - Full load amps		2.0	2.0	2.0	2.0

## CONTROLS

iComfort® S30 Thermostat	12U67	•	•	•	•
iComfort Wi-Fi® Thermostat	10F81	•	•	•	•
ComfortSense® 7500 Thermostat	13H14	•	•	•	•
Outdoor Temperature Sensor - for ComfortSense® 7500	X2658	•	•	•	•
<sup>4</sup> Discharge Air Temp. Sensor	88K38	•	•	•	•

## OPTIONAL ACCESSORIES - ORDER SEPARATELY

Blower Relay Kit (for EL195E and ML195E gas furnaces)	85W66	•	•	•	•
Compressor Hard Start Kit - Required in applications with less than 230V	10J42 12J90	•	•	•	•
Freezestat	3/8 in. tubing	93G35	•	•	•
	5/8 in. tubing	50A93	•	•	•
Indoor Blower Speed Relay Kit	40K58	•	•	•	•
<sup>5</sup> Low Ambient Kit (Fan Cycling)	68M04	•	•	•	•
Refrigerant Line Sets	L15-65-30	•	•	•	•
	L15-65-40				
	L15-65-50				
	Field Fabricate	•	•	•	•
Indoor Blower Off Delay Relay	58M81	•	•	•	•

NOTE - Extremes of operating range are plus 10% and minus 5% of line voltage.

<sup>1</sup> Refrigerant charge sufficient for 15 ft. length of refrigerant lines.

<sup>2</sup> HACR type breaker or fuse.

<sup>3</sup> Refer to National or Canadian Electrical Code manual to determine wire, fuse and disconnect size requirements.

<sup>4</sup> Used with the iComfort® S30 and iComfort Wi-Fi® Thermostats for optional service diagnostics.

<sup>5</sup> Freezestat is recommended with Low Ambient Kit.

## OUTDOOR SOUND DATA

<sup>1</sup> Unit Model No.	Octave Band Linear Sound Power Levels dB, re 10 <sup>-12</sup> Watts								<sup>1</sup> Sound Rating Number (dB)
	Center Frequency - HZ								
	63	125	250	500	1000	2000	4000	8000	
XC21-024	48.5	54.5	61	64	62	60	56	49	69
XC21-036	49	60	65	66.5	64.5	61.5	56.5	50	71
XC21-048	49.5	59.5	66.5	68	67	63	58	52	73
XC21-060	50	60	65.5	70	68.5	64	57	50.5	73

NOTE - the octave sound power data does not include tonal correction.

<sup>1</sup> Tested according to AHRI Standard 270-2008 test conditions.

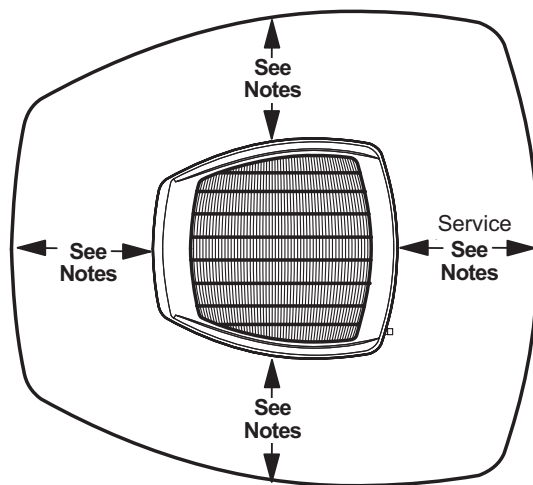
## INSTALLATION CLEARANCES - INCHES (MM)

### NOTES -

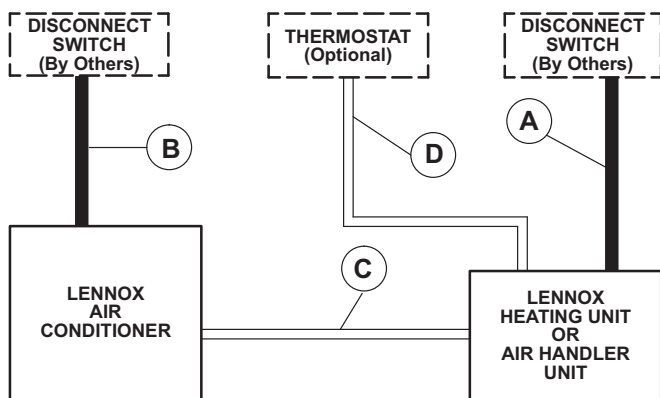
One of these three sides must be 36 in. (914 mm).  
 One of the two remaining sides may be 12 in. (305 mm).  
 The remaining side may be 6 in. (152 mm).

Service Clearance – 30 in. (762 mm)

48 in. (1219 mm) clearance required on top of unit  
 24 in. (610 mm) required between two units



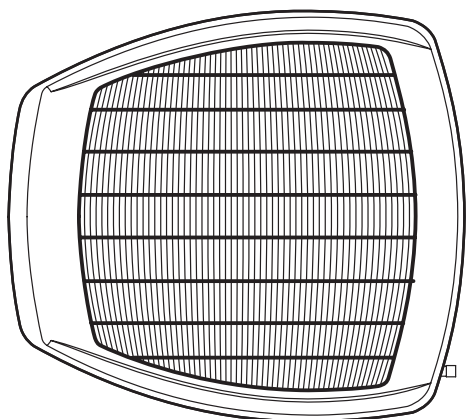
## FIELD WIRING



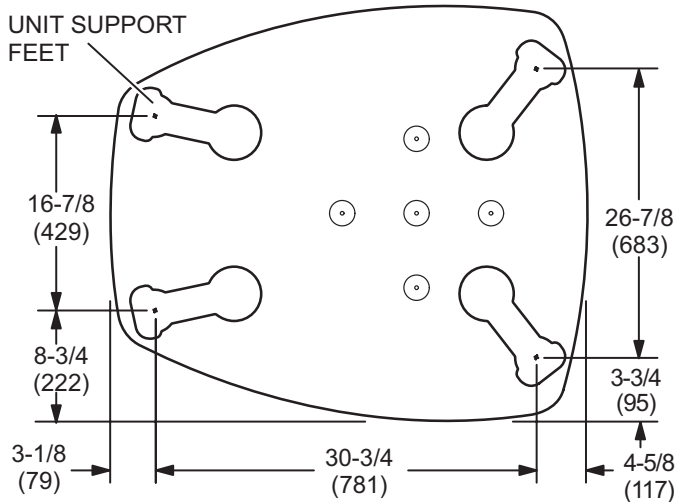
- A - Two Wire Power (not furnished)
  - B - Two Power (not furnished) See Electrical Data
  - C - Four Wire Low Voltage (not furnished) 18 ga. minimum
  - D - Six Wire Low Voltage (not furnished) 18 ga. minimum - With Conventional Thermostat  
 Four Wire Low Voltage RSBUS (not furnished) 18 ga. minimum - With iComfort™ Thermostat
- All wiring must conform to NEC or CEC and local electrical codes.*



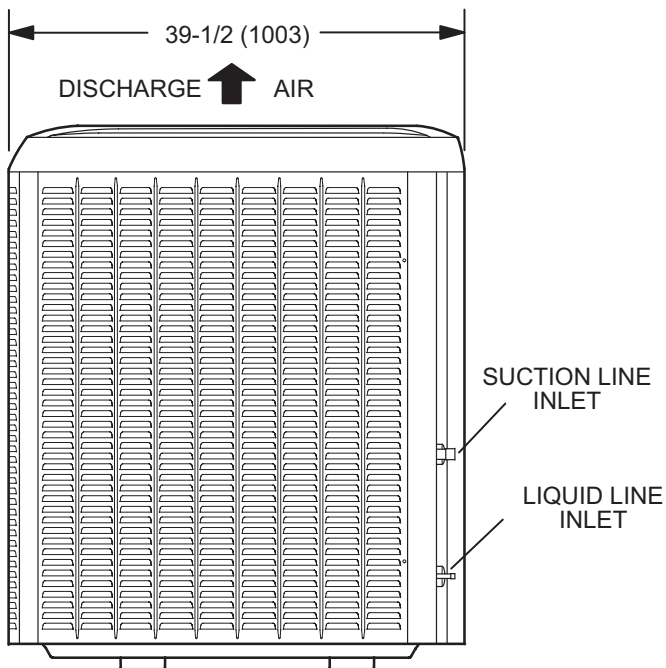
**DIMENSIONS - INCHES (MM)**



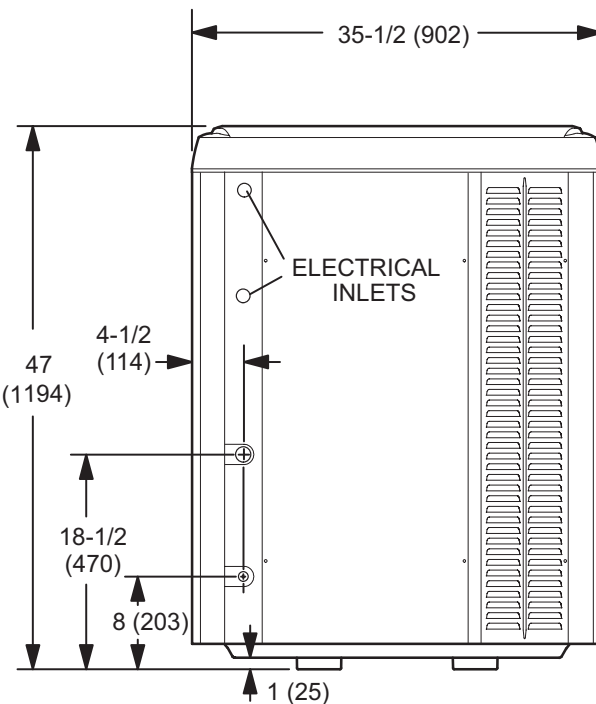
**TOP VIEW**



**TOP VIEW BASE SECTION  
(Large Base)**



**SIDE VIEW**



**ACCESS VIEW**

## TXV USAGE

Use this table for C33, C35, CH23, CH33, CH35 and CR33 Field Installed TXV Match-Ups.

Outdoor Unit Model No.	Order No.
XC21-024	12J18
XC21-036	12J19
XC21-048	12J20
XC21-060	12J20

CX34 and CX35 upflow coils and all Lennox air handlers are shipped with a factory installed TXV. In most cases, no change out of the valve is needed.

If a change out is required it will be listed in the "TXV SUBSTITUTIONS" table. The correct TXV must be ordered and field installed.

C33, C35, CH33 and CH35 coils - Factory installed orifice must be replaced with the expansion valve listed.

CR33 and CH23 coils - Use the expansion valve listed.

## \*TXV SUBSTITUTIONS

Use this table to determine if the factory installed TXV in the indoor unit needs to be replaced.

Outdoor Unit Model No.	Indoor Coil or Air Handler	Factory TXV	Replacement TXV
XC21-024	CX34-42	12J20	12J18
XC21-024	CX35-48	12J20	12J18
XC21-048	CBX32MV-036	12J19	12J20
XC21-048	CBX40UHV-036	12J19	12J20

\*CX34, CX35 coils and all air handlers - The factory installed expansion valve must be replaced with the expansion valve listed (ordered separately). If the combination is not listed above, the factory installed TXV is used.

## MOST POPULAR MATCHES

Outdoor Unit Model No.	Indoor Unit Model No
XC21-024	CX34-31 + SL280UH090V36B
XC21-036	CX34-49 + SL280UH090V60C
XC21-048	CX34-49 + SL280UH090V60C
XC21-060	CX34-62D + SL280UH135V60D

## AHRI STANDARD 210/240

Cooling or heating capacities are net values, including the effects of blower motor heat, and do not include supplementary heat. Power input is the total power input to the compressor(s) and fan(s), plus any controls and other items required as part of the system for normal operation.

Units which do not have an indoor air-circulating blower furnished as part of the model, i.e., split system with indoor coil only, is established by subtracting from the total cooling capacity 1250 Btu/h per 1,000 cfm, and by adding the same amount to the heating capacity. Total power input for both heating and cooling is increased by 365 W per 1,000 cfm of indoor air circulated.

## AHRI SYSTEM MATCHES

NOTE - For the latest up-to-date system matches please visit the AHRI web site at <http://www.ahridirectory.org>

Model No.	Expansion Device	Capacity	SEER	EER	Coil or Air Handler	Furnace	AHRI Reference
XC21-024-230	TXV	24,600	19.00	14.00	C33-19	EL180UH045E36A	5992623
XC21-024-230	TXV	23,600	16.00	12.50	C33-24		5992358
XC21-024-230	TXV	24,000	18.00	13.50	C33-24	CBWMV-24B-040	5992480
XC21-024-230	TXV	23,800	18.00	13.50	C33-24	EL180UH045E36A	5992621
XC21-024-230	TXV	24,000	18.00	14.00	C33-24	EL296UH070XV36B	5992526
XC21-024-230	TXV	24,000	18.00	14.00	C33-24	EL296UH090XV36C	5992547
XC21-024-230	TXV	24,200	19.00	13.50	C33-24	SL280UH070V36A	5992380
XC21-024-230	TXV	24,200	19.00	13.50	C33-24	SL280UH070XV36A	5992575
XC21-024-230	TXV	24,000	18.00	14.00	C33-24	SL280UH090V36B	5992598
XC21-024-230	TXV	23,800	18.00	13.50	C33-24	SL280UH090V48B	5992486
XC21-024-230	TXV	24,200	18.00	13.50	C33-24	SLP98UH070XV36B	5992382
XC21-024-230	TXV	24,200	19.00	14.00	C33-24	SLP98UH090XV36C	5992384
XC21-024-230	TXV	24,800	17.00	13.00	C33-25		5992360
XC21-024-230	TXV	25,000	19.00	14.00	C33-25	EL180UH045E36A	5992626
XC21-024-230	TXV	25,400	20.00	14.00	C33-25	EL296UH070XV36B	5992528
XC21-024-230	TXV	25,400	20.00	14.00	C33-25	SL280UH070V36A	5992600
XC21-024-230	TXV	25,400	20.00	14.00	C33-25	SL280UH070XV36A	5992577
XC21-024-230	TXV	26,000	20.00	15.00	C33-25	SL280UH090V36B	5992386
XC21-024-230	TXV	25,200	19.00	14.50	C33-25	SL280UH090V48B	5992488
XC21-024-230	TXV	25,400	20.00	14.00	C33-25	SLP98UH070XV36B	5992388
XC21-024-230	TXV	24,000	16.00	12.50	C33-30		5992362
XC21-024-230	TXV	24,400	18.00	13.50	C33-30	EL180UH045E36A	5992627
XC21-024-230	TXV	24,600	19.00	14.00	C33-30	EL296UH070XV36B	5992596
XC21-024-230	TXV	24,400	19.00	14.00	C33-30	EL296UH090XV36C	5992549
XC21-024-230	TXV	24,600	19.00	14.00	C33-30	SL280UH070V36A	5992390
XC21-024-230	TXV	24,600	19.00	14.00	C33-30	SL280UH070XV36A	5992579
XC21-024-230	TXV	25,200	19.00	14.00	C33-30	SL280UH090V36B	5992602
XC21-024-230	TXV	24,600	19.00	14.00	C33-30	SLP98UH070XV36B	5992392
XC21-024-230	TXV	24,800	19.00	14.00	C33-30	SLP98UH090XV36C	5992394
XC21-024-230	TXV	25,200	17.00	13.00	C33-31		5992364
XC21-024-230	TXV	25,600	19.00	14.00	C33-31	EL180UH045E36A	5992630
XC21-024-230	TXV	25,800	20.00	15.00	C33-31	EL296UH045XV36B	5992510
XC21-024-230	TXV	25,800	20.00	15.00	C33-31	EL296UH070XV36B	5992530
XC21-024-230	TXV	26,000	20.00	15.00	C33-31	SL280UH070V36A	5992396
XC21-024-230	TXV	26,000	20.00	15.00	C33-31	SL280UH070XV36A	5992581
XC21-024-230	TXV	26,000	20.00	15.00	C33-31	SL280UH090V36B	5992412
XC21-024-230	TXV	25,600	19.00	14.50	C33-31	SL280UH090V48B	5992490
XC21-024-230	TXV	26,000	20.00	15.00	C33-31	SLP98UH070XV36B	5992398
XC21-024-230	TXV	24,600	17.00	13.00	C33-36		5992366
XC21-024-230	TXV	25,000	19.00	14.00	C33-36	CBWMV-36B-070	5992482
XC21-024-230	TXV	25,200	19.00	14.00	C33-36	CBWMV-36C-090	5992484
XC21-024-230	TXV	25,000	19.00	14.00	C33-36	EL180UH045E36A	5992631
XC21-024-230	TXV	25,200	19.00	14.00	C33-36	EL296UH045XV36B	5992512
XC21-024-230	TXV	25,200	19.00	14.00	C33-36	EL296UH070XV36B	5992532
XC21-024-230	TXV	25,200	20.00	14.00	C33-36	EL296UH090XV36C	5992551
XC21-024-230	TXV	25,400	20.00	14.50	C33-36	SL280UH070V36A	5992400
XC21-024-230	TXV	25,400	20.00	14.50	C33-36	SL280UH070XV36A	5992583
XC21-024-230	TXV	25,800	20.00	14.00	C33-36	SL280UH090V36B	5992402

### NOTES:

TXV = Matched with Thermostatic Expansion Valve.

RFC = Matched with RFC metering device.

All matches with EL195E and ML180E gas furnaces require the use of a Blower Motor Relay Kit (**85W66**) for proper unit operation.

Ratings are AHRI Certified to AHRI Standard 210/240 (with 25 ft. of connecting refrigerant lines); 95°F outdoor air temperature, 80°F db / 67°F wb entering evaporator air. All ratings include the use of a blower time delay relay (TDR). All Lennox variable-speed furnaces and Air Handlers have time delay capabilities. Other Furnaces and Air Handlers may require an optional time delay relay (**58M81**) for field installation. See furnace or air handler specifications to determine if relay is needed.

Also see Expansion Valve Kit Usage Table.

## AHRI SYSTEM MATCHES

NOTE - For the latest up-to-date system matches please visit the AHRI web site at <http://www.ahridirectory.org>

Model No.	Expansion Device	Capacity	SEER	EER	Coil or Air Handler	Furnace	AHRI Reference
XC21-024-230	TXV	25,000	19.00	14.20	C33-36	SL280UH090V48B	5992492
XC21-024-230	TXV	25,400	20.00	14.00	C33-36	SLP98UH070XV36B	5992404
XC21-024-230	TXV	25,400	20.00	14.00	C33-36	SLP98UH090XV36C	5992406
XC21-024-230	TXV	25,400	17.00	13.00	C33-38		5992368
XC21-024-230	TXV	26,000	20.00	15.00	C33-38	EL296UH045XV36B	5992514
XC21-024-230	TXV	26,000	20.00	15.00	C33-38	EL296UH070XV36B	5992534
XC21-024-230	TXV	26,200	20.00	15.00	C33-38	SL280UH070V36A	5992408
XC21-024-230	TXV	26,200	20.00	15.00	C33-38	SL280UH070XV36A	5992585
XC21-024-230	TXV	26,600	21.00	15.00	C33-38	SL280UH090V36B	5992410
XC21-024-230	TXV	25,800	19.00	14.50	C33-38	SL280UH090V48B	5992494
XC21-024-230	TXV	26,200	20.00	15.00	C33-38	SLP98UH070XV36B	5992413
XC21-024-230	TXV	24,600	17.00	13.00	C33-42		5992370
XC21-024-230	TXV	25,200	19.00	14.00	C33-42	EL296UH045XV36B	5992516
XC21-024-230	TXV	25,200	19.00	14.00	C33-42	EL296UH070XV36B	5992536
XC21-024-230	TXV	25,800	20.00	14.00	C33-42	SL280UH090V36B	5992415
XC21-024-230	TXV	25,000	19.00	14.20	C33-42	SL280UH090V48B	5992496
XC21-024-230	TXV	25,400	20.00	14.00	C33-42	SLP98UH070XV36B	5992417
XC21-024-230	TXV	24,000	17.00	13.00	C35-24A		8248663
XC21-024-230	TXV	24,000	19.00	14.00	C35-24A	EL180UH045E36A	8248660
XC21-024-230	TXV	24,000	20.00	14.00	C35-24A	SL280UH070V36A	8248661
XC21-024-230	TXV	24,000	20.00	14.00	C35-24A	SL280UH070XV36A	8248662
XC21-024-230	TXV	24,000	17.00	13.00	C35-24B		8248667
XC21-024-230	TXV	24,000	19.00	14.00	C35-24B	EL296UH045XV36B	8248664
XC21-024-230	TXV	24,000	20.00	14.00	C35-24B	EL296UH070XV36B	8248665
XC21-024-230	TXV	24,000	19.00	14.50	C35-24B	SL280UH090V48B	8248666
XC21-024-230	TXV	24,000	20.00	14.00	C35-24B	SLP98UH070XV36B	8249634
XC21-024-230	TXV	24,000	17.00	13.00	C35-30/36C		8248680
XC21-024-230	TXV	24,000	20.00	14.00	C35-30/36C	EL296UH090XV36C	8248678
XC21-024-230	TXV	24,000	20.00	14.00	C35-30/36C	SLP98UH090XV36C	8248679
XC21-024-230	TXV	24,000	17.00	13.00	C35-30A		8248671
XC21-024-230	TXV	24,000	19.00	14.00	C35-30A	EL180UH045E36A	8248668
XC21-024-230	TXV	24,000	20.00	14.00	C35-30A	EL296UH045XV36B	8248681
XC21-024-230	TXV	24,000	20.00	14.00	C35-30A	SL280UH070V36A	8248669
XC21-024-230	TXV	24,000	20.00	14.00	C35-30A	SL280UH070XV36A	8248670
XC21-024-230	TXV	24,000	17.00	13.00	C35-30B		8248677
XC21-024-230	TXV	24,000	19.00	14.00	C35-30B	CBWMV-36B-070	8248672
XC21-024-230	TXV	24,000	19.00	14.00	C35-30B	CBWMV-36C-09070	8248673
XC21-024-230	TXV	24,000	19.00	14.00	C35-30B	EL296UH045XV36B	8248674
XC21-024-230	TXV	24,000	19.00	14.00	C35-30B	EL296UH070XV36B	8248675
XC21-024-230	TXV	24,000	19.00	14.00	C35-30B	SL280UH090V48B	8248676
XC21-024-230	TXV	24,000	20.00	14.00	C35-30B	SL280UH090XV36A	8248682
XC21-024-230	TXV	24,000	19.00	14.00	C35-30B	SL280UH090XV48B	8248683
XC21-024-230	TXV	24,000	20.00	14.00	C35-30B	SLP98UH070XV36B	8248684
XC21-024-230	TXV	24,000	17.00	13.00	C35-36A		8248689
XC21-024-230	TXV	24,000	19.00	14.00	C35-36A	EL180UH045E36A	8248686
XC21-024-230	TXV	24,000	20.00	14.00	C35-36A	SL280UH070V36A	8249635
XC21-024-230	TXV	24,000	20.00	14.00	C35-36A	SL280UH070XV36A	8249636
XC21-024-230	TXV	24,000	17.00	13.00	C35-36B		8248698

### NOTES:

TXV = Matched with Thermostatic Expansion Valve.

RFC = Matched with RFC metering device.

All matches with EL195E and ML180E gas furnaces require the use of a Blower Motor Relay Kit (**85W66**) for proper unit operation.

Ratings are AHRI Certified to AHRI Standard 210/240 (with 25 ft. of connecting refrigerant lines); 95°F outdoor air temperature, 80°F db / 67°F wb entering evaporator air. All ratings include the use of a blower time delay relay (TDR). All Lennox variable-speed furnaces and Air Handlers have time delay capabilities. Other Furnaces and Air Handlers may require an optional time delay relay (**58M81**) for field installation. See furnace or air handler specifications to determine if relay is needed.

Also see Expansion Valve Kit Usage Table.



## AHRI SYSTEM MATCHES

NOTE - For the latest up-to-date system matches please visit the AHRI web site at <http://www.ahridirectory.org>

Model No.	Expansion Device	Capacity	SEER	EER	Coil or Air Handler	Furnace	AHRI Reference
XC21-024-230	TXV	24,000	20.00	14.00	C35-36B	EL296UH045XV36B	8248690
XC21-024-230	TXV	24,000	20.00	14.00	C35-36B	EL296UH070XV36B	8248692
XC21-024-230	TXV	24,000	21.00	14.00	C35-36B	SL280UH090V36B	8249637
XC21-024-230	TXV	24,000	19.00	14.00	C35-36B	SL280UH090V48B	8248694
XC21-024-230	TXV	24,000	20.00	14.00	C35-36B	SLP98UH070XV36B	8248696
XC21-024-230	TXV	24,000	17.00	13.00	C35-48B		8248704
XC21-024-230	TXV	24,000	20.00	14.00	C35-48B	EL296UH045XV36B	8248700
XC21-024-230	TXV	24,000	20.00	14.00	C35-48B	EL296UH070XV36B	8248701
XC21-024-230	TXV	24,000	20.00	14.00	C35-48B	SL280UH090V36B	8249638
XC21-024-230	TXV	24,000	19.00	14.00	C35-48B	SL280UH090V48B	8248702
XC21-024-230	TXV	24,000	20.00	14.00	C35-48B	SLP98UH070XV36B	8248703
XC21-024-230	TXV	25,800	21.00	15.00	CBX27UH-024		5992461
XC21-024-230	TXV	24,600	19.00	13.50	CBX27UH-030		5992462
XC21-024-230	TXV	25,200	17.00	13.50	CBX32M-018/024		5992453
XC21-024-230	TXV	25,400	17.00	13.50	CBX32M-030		5992454
XC21-024-230	TXV	25,200	19.00	14.00	CBX32M-036		5992455
XC21-024-230	TXV	25,600	19.00	14.00	CBX32MV-018/024		5992456
XC21-024-230	TXV	26,200	21.00	15.00	CBX32MV-024/030		5992457
XC21-024-230	TXV	25,800	20.50	15.00	CBX32MV-036		5992458
XC21-024-230	TXV	25,800	20.00	15.00	CBX40UHV-024		5992459
XC21-024-230	TXV	25,600	21.00	15.00	CBX40UHV-030		5992604
XC21-024-230	TXV	25,600	19.00	14.00	CBX40UHV-036		5992460
XC21-024-230	TXV	23,000	15.50	12.20	CH23-21		5992373
XC21-024-230	TXV	23,600	18.00	13.50	CH23-21	EL296UH045XV36B	5992517
XC21-024-230	TXV	23,600	18.00	13.50	CH23-21	EL296UH070XV36B	5992537
XC21-024-230	TXV	23,400	18.00	13.50	CH23-21	EL296UH090XV36C	5992554
XC21-024-230	TXV	23,600	18.00	13.50	CH23-21	SL280UH070V36A	5992422
XC21-024-230	TXV	23,600	18.00	13.50	CH23-21	SL280UH070XV36A	5992586
XC21-024-230	TXV	23,400	18.00	13.50	CH23-21	SL280UH090V36B	5992603
XC21-024-230	TXV	23,600	17.00	13.00	CH23-21	SL280UH090V48B	5992497
XC21-024-230	TXV	23,600	18.00	13.50	CH23-21	SLP98UH070XV36B	5992423
XC21-024-230	TXV	23,200	15.70	12.20	CH23-31		5992374
XC21-024-230	TXV	23,800	18.00	14.00	CH23-31	EL296UH045XV36B	5992518
XC21-024-230	TXV	23,800	18.00	14.00	CH23-31	EL296UH070XV36B	5992538
XC21-024-230	TXV	23,800	18.00	14.00	CH23-31	EL296UH090XV36C	5992555
XC21-024-230	TXV	24,000	19.00	13.50	CH23-31	SL280UH070V36A	5992424
XC21-024-230	TXV	26,000	20.00	14.00	CH23-31	SL280UH070XV36A	5992587
XC21-024-230	TXV	26,200	20.00	15.00	CH23-31	SL280UH090V36B	5992442
XC21-024-230	TXV	23,600	18.20	13.00	CH23-31	SL280UH090V48B	5992498
XC21-024-230	TXV	24,000	19.00	14.00	CH23-31	SLP98UH070XV36B	5992425
XC21-024-230	TXV	24,000	19.00	14.00	CH23-31	SLP98UH090XV36C	5992426
XC21-024-230	TXV	24,600	16.00	13.00	CH23-41		5992375
XC21-024-230	TXV	25,200	19.00	14.00	CH23-41	EL296UH045XV36B	5992519
XC21-024-230	TXV	25,200	18.00	14.00	CH23-41	EL296UH070XV36B	5992539
XC21-024-230	TXV	25,200	19.00	14.00	CH23-41	EL296UH090XV36C	5992556
XC21-024-230	TXV	25,400	20.00	14.00	CH23-41	SL280UH070V36A	5992427
XC21-024-230	TXV	25,400	20.00	14.00	CH23-41	SL280UH070XV36A	5992588
XC21-024-230	TXV	25,800	20.00	14.00	CH23-41	SL280UH090V36B	5992428

### NOTES:

TXV = Matched with Thermostatic Expansion Valve.

RFC = Matched with RFC metering device.

All matches with EL195E and ML180E gas furnaces require the use of a Blower Motor Relay Kit (**85W66**) for proper unit operation.

Ratings are AHRI Certified to AHRI Standard 210/240 (with 25 ft. of connecting refrigerant lines); 95°F outdoor air temperature, 80°F db / 67°F wb entering evaporator air. All ratings include the use of a blower time delay relay (TDR). All Lennox variable-speed furnaces and Air Handlers have time delay capabilities. Other Furnaces and Air Handlers may require an optional time delay relay (**58M81**) for field installation. See furnace or air handler specifications to determine if relay is needed.

Also see Expansion Valve Kit Usage Table.

## AHRI SYSTEM MATCHES

NOTE - For the latest up-to-date system matches please visit the AHRI web site at <http://www.ahridirectory.org>

Model No.	Expansion Device	Capacity	SEER	EER	Coil or Air Handler	Furnace	AHRI Reference
XC21-024-230	TXV	25,000	19.00	14.00	CH23-41	SL280UH090V48B	5992499
XC21-024-230	TXV	25,400	19.00	14.00	CH23-41	SLP98UH070XV36B	5992429
XC21-024-230	TXV	25,400	20.00	14.00	CH23-41	SLP98UH090XV36C	5992430
XC21-024-230	TXV	24,800	17.00	13.00	CH23-51		5992376
XC21-024-230	TXV	25,400	19.00	14.00	CH23-51	EL296UH045XV36B	5992520
XC21-024-230	TXV	25,400	20.00	14.00	CH23-51	EL296UH070XV36B	5992540
XC21-024-230	TXV	25,400	20.00	15.00	CH23-51	EL296UH090XV36C	5992557
XC21-024-230	TXV	25,600	20.00	14.50	CH23-51	SL280UH070V36A	5992431
XC21-024-230	TXV	25,600	20.00	14.50	CH23-51	SL280UH070XV36A	5992589
XC21-024-230	TXV	25,800	20.00	15.00	CH23-51	SL280UH090V36B	5992432
XC21-024-230	TXV	25,200	19.00	14.00	CH23-51	SL280UH090V48B	5992500
XC21-024-230	TXV	25,600	20.00	14.00	CH23-51	SLP98UH070XV36B	5992433
XC21-024-230	TXV	25,600	20.00	14.00	CH23-51	SLP98UH090XV36C	5992434
XC21-024-230	TXV	24,200	16.00	12.50	CH33-19		5992377
XC21-024-230	TXV	25,000	19.00	14.00	CH33-19	SL280UH070V36A	5992435
XC21-024-230	TXV	25,000	19.00	14.00	CH33-19	SL280UH070XV36A	5992590
XC21-024-230	TXV	24,200	16.00	12.50	CH33-24/30		5992346
XC21-024-230	TXV	24,800	19.00	14.00	CH33-24/30	SL280UH070V36A	5992436
XC21-024-230	TXV	24,800	19.00	14.00	CH33-24/30	SL280UH070XV36A	5992591
XC21-024-230	TXV	25,200	19.00	14.00	CH33-25	EL296UH045XV36B	5992507
XC21-024-230	TXV	25,200	20.00	14.00	CH33-25	EL296UH070XV36B	5992541
XC21-024-230	TXV	25,600	20.00	14.00	CH33-25	SL280UH070V36A	5992437
XC21-024-230	TXV	25,600	20.00	14.00	CH33-25	SL280UH070XV36A	5992592
XC21-024-230	TXV	25,600	20.00	14.00	CH33-25	SL280UH090V36B	5992438
XC21-024-230	TXV	25,000	19.20	14.20	CH33-25	SL280UH090V48B	5992501
XC21-024-230	TXV	25,400	20.00	14.00	CH33-25	SLP98UH070XV36B	5992439
XC21-024-230	TXV	25,000	17.00	13.00	CH33-25A		5992347
XC21-024-230	TXV	24,800	17.00	13.00	CH33-25B		5992348
XC21-024-230	TXV	26,000	20.00	15.00	CH33-31	EL296UH045XV36B	5992521
XC21-024-230	TXV	26,000	20.00	15.00	CH33-31	EL296UH070XV36B	5992542
XC21-024-230	TXV	26,000	20.00	14.50	CH33-31	SL280UH070V36A	5992440
XC21-024-230	TXV	26,000	20.00	14.50	CH33-31	SL280UH070XV36A	5992593
XC21-024-230	TXV	26,400	20.00	15.00	CH33-31	SL280UH090V36B	5992441
XC21-024-230	TXV	25,800	19.00	14.50	CH33-31	SL280UH090V48B	5992502
XC21-024-230	TXV	25,200	20.00	14.00	CH33-31	SLP98UH070XV36B	5992443
XC21-024-230	TXV	25,400	17.00	13.00	CH33-31A		5992349
XC21-024-230	TXV	25,400	17.00	13.00	CH33-31B		5992350
XC21-024-230	TXV	25,200	19.00	14.00	CH33-36	EL296UH045XV36B	5992522
XC21-024-230	TXV	25,200	19.00	14.00	CH33-36	EL296UH070XV36B	5992543
XC21-024-230	TXV	25,400	20.00	15.00	CH33-36	EL296UH090XV36C	5992552
XC21-024-230	TXV	25,600	19.00	14.00	CH33-36	SL280UH070V36A	5992444
XC21-024-230	TXV	25,200	19.00	14.00	CH33-36	SL280UH070XV36A	5992594
XC21-024-230	TXV	25,400	20.00	14.00	CH33-36	SL280UH090V36B	5992445
XC21-024-230	TXV	25,600	20.00	15.00	CH33-36	SLP98UH070XV36B	5992446
XC21-024-230	TXV	26,200	20.00	15.00	CH33-36	SLP98UH090XV36C	5992447
XC21-024-230	TXV	24,600	17.00	13.00	CH33-36A		5992351
XC21-024-230	TXV	24,600	17.00	13.00	CH33-36B		5992352
XC21-024-230	TXV	25,000	19.00	14.00	CH33-36B	SL280UH090V48B	5992503

### NOTES:

TXV = Matched with Thermostatic Expansion Valve.

RFC = Matched with RFC metering device.

All matches with EL195E and ML180E gas furnaces require the use of a Blower Motor Relay Kit (**85W66**) for proper unit operation.

Ratings are AHRI Certified to AHRI Standard 210/240 (with 25 ft. of connecting refrigerant lines); 95°F outdoor air temperature, 80°F db / 67°F wb entering evaporator air. All ratings include the use of a blower time delay relay (TDR). All Lennox variable-speed furnaces and Air Handlers have time delay capabilities. Other Furnaces and Air Handlers may require an optional time delay relay (**58M81**) for field installation. See furnace or air handler specifications to determine if relay is needed.

Also see Expansion Valve Kit Usage Table.

## AHRI SYSTEM MATCHES

NOTE - For the latest up-to-date system matches please visit the AHRI web site at <http://www.ahridirectory.org>

Model No.	Expansion Device	Capacity	SEER	EER	Coil or Air Handler	Furnace	AHRI Reference
XC21-024-230	TXV	24,800	17.00	13.00	CH33-36C		5992353
XC21-024-230	TXV	25,200	17.00	13.00	CH33-42		5992354
XC21-024-230	TXV	25,800	20.00	15.00	CH33-42	EL296UH045XV36B	5992523
XC21-024-230	TXV	25,800	20.00	15.00	CH33-42	EL296UH070XV36B	5992544
XC21-024-230	TXV	26,000	20.00	15.00	CH33-42	SL280UH090V36B	5992448
XC21-024-230	TXV	25,600	19.00	14.00	CH33-42	SL280UH090V48B	5992504
XC21-024-230	TXV	26,800	20.00	15.50	CH33-42	SLP98UH070XV36B	5992449
XC21-024-230	TXV	26,400	20.00	15.00	CH33-43	EL296UH045XV36B	5992524
XC21-024-230	TXV	26,400	20.00	15.00	CH33-43	EL296UH070XV36B	5992545
XC21-024-230	TXV	26,200	21.00	15.50	CH33-43	EL296UH090XV36C	5992553
XC21-024-230	TXV	26,600	20.00	15.00	CH33-43	SL280UH090V36B	5992450
XC21-024-230	TXV	26,200	20.00	14.50	CH33-43	SL280UH090V48B	5992505
XC21-024-230	TXV	26,400	21.00	15.50	CH33-43	SLP98UH070XV36B	5992451
XC21-024-230	TXV	24,800	17.00	13.00	CH33-43	SLP98UH090XV36C	5992452
XC21-024-230	TXV	25,800	17.00	13.50	CH33-43B		5992355
XC21-024-230	TXV	25,600	17.00	13.50	CH33-43C		5992356
XC21-024-230	TXV	24,000	16.00	12.50	CH35-18A		7164908
XC21-024-230	TXV	24,000	19.00	13.00	CH35-18A	EL180UH045E36A	7164909
XC21-024-230	TXV	24,000	20.00	14.00	CH35-18A	SL280UH070V36A	7165559
XC21-024-230	TXV	24,000	20.00	14.00	CH35-18A	SL280UH070XV36A	7165560
XC21-024-230	TXV	24,000	17.00	13.00	CH35-24A		7164910
XC21-024-230	TXV	24,000	19.00	14.00	CH35-24A	EL180UH045E36A	7164911
XC21-024-230	TXV	24,000	20.00	14.00	CH35-24A	SL280UH070V36A	7165561
XC21-024-230	TXV	24,000	20.00	14.00	CH35-24A	SL280UH070XV36A	7165562
XC21-024-230	TXV	24,000	17.00	13.00	CH35-24B		7164912
XC21-024-230	TXV	24,000	19.00	13.00	CH35-24B	EL195UH045XE36B	7164913
XC21-024-230	TXV	24,000	19.00	14.00	CH35-24B	EL195UH070XE36B	7164914
XC21-024-230	TXV	24,000	19.00	13.00	CH35-24B	EL296UH045XE36B	7164915
XC21-024-230	TXV	24,000	19.00	14.00	CH35-24B	EL296UH045XV36B	7164917
XC21-024-230	TXV	24,000	19.00	14.00	CH35-24B	EL296UH070XE36B	7164916
XC21-024-230	TXV	24,000	20.00	14.00	CH35-24B	EL296UH070XV36B	7164918
XC21-024-230	TXV	24,000	20.00	15.00	CH35-24B	SL280UH090V36B	7165563
XC21-024-230	TXV	24,000	19.00	14.00	CH35-24B	SL280UH090V48B	7164919
XC21-024-230	TXV	24,000	20.00	14.00	CH35-24B	SLP98UH070XV36B	7165564
XC21-024-230	TXV	24,000	17.00	13.00	CH35-30A		7164920
XC21-024-230	TXV	24,000	19.00	14.00	CH35-30A	EL180UH045E36A	7164921
XC21-024-230	TXV	24,000	20.00	14.00	CH35-30A	SL280UH070V36A	7165565
XC21-024-230	TXV	24,000	20.00	14.00	CH35-30A	SL280UH070XV36A	7165566
XC21-024-230	TXV	24,000	17.00	13.00	CH35-30B		7164922
XC21-024-230	TXV	24,000	19.00	14.00	CH35-30B	EL195UH045XE36B	7164923
XC21-024-230	TXV	24,000	19.00	14.00	CH35-30B	EL195UH070XE36B	7164924
XC21-024-230	TXV	24,000	19.00	14.00	CH35-30B	EL296UH045XE36B	7164925
XC21-024-230	TXV	24,000	20.00	15.00	CH35-30B	EL296UH045XV36B	7164927
XC21-024-230	TXV	24,000	19.00	14.00	CH35-30B	EL296UH070XE36B	7164926
XC21-024-230	TXV	24,000	20.00	15.00	CH35-30B	EL296UH070XV36B	7164928
XC21-024-230	TXV	24,000	20.00	15.00	CH35-30B	SL280UH090V36B	7165567
XC21-024-230	TXV	24,000	19.00	14.00	CH35-30B	SL280UH090V48B	7164929
XC21-024-230	TXV	24,000	20.00	15.00	CH35-30B	SLP98UH070XV36B	7165568

### NOTES:

TXV = Matched with Thermostatic Expansion Valve.

RFC = Matched with RFC metering device.

All matches with EL195E and ML180E gas furnaces require the use of a Blower Motor Relay Kit (**85W66**) for proper unit operation.

Ratings are AHRI Certified to AHRI Standard 210/240 (with 25 ft. of connecting refrigerant lines); 95°F outdoor air temperature, 80°F db / 67°F wb entering evaporator air. All ratings include the use of a blower time delay relay (TDR). All Lennox variable-speed furnaces and Air Handlers have time delay capabilities. Other Furnaces and Air Handlers may require an optional time delay relay (**58M81**) for field installation. See furnace or air handler specifications to determine if relay is needed.

Also see Expansion Valve Kit Usage Table.

## AHRI SYSTEM MATCHES

NOTE - For the latest up-to-date system matches please visit the AHRI web site at <http://www.ahridirectory.org>

Model No.	Expansion Device	Capacity	SEER	EER	Coil or Air Handler	Furnace	AHRI Reference
XC21-024-230	TXV	24,000	17.00	13.00	CH35-36A		7164930
XC21-024-230	TXV	24,000	19.00	14.00	CH35-36A	EL180UH045V36A	7164931
XC21-024-230	TXV	24,000	20.00	14.00	CH35-36A	SL280UH070V36A	7165569
XC21-024-230	TXV	24,000	20.00	14.00	CH35-36A	SL280UH070XV36A	7165570
XC21-024-230	TXV	24,000	17.00	13.00	CH35-36B		7164932
XC21-024-230	TXV	24,000	19.00	13.00	CH35-36B	EL195UH045XE36B	7164933
XC21-024-230	TXV	24,000	19.00	13.00	CH35-36B	EL195UH070XE36B	7164934
XC21-024-230	TXV	24,000	19.00	13.00	CH35-36B	EL296UH045XE36B	7164935
XC21-024-230	TXV	24,000	19.00	14.00	CH35-36B	EL296UH045XV36B	7164937
XC21-024-230	TXV	24,000	19.00	13.00	CH35-36B	EL296UH070XE36B	7164936
XC21-024-230	TXV	24,000	20.00	14.00	CH35-36B	EL296UH070XV36B	7164938
XC21-024-230	TXV	24,000	20.00	14.00	CH35-36B	SL280UH090V36B	7165571
XC21-024-230	TXV	24,000	19.00	14.00	CH35-36B	SL280UH090V48B	7164939
XC21-024-230	TXV	24,000	20.00	14.00	CH35-36B	SLP98UH070XV36B	7165572
XC21-024-230	TXV	24,000	17.00	13.00	CH35-36C		7164940
XC21-024-230	TXV	24,000	20.00	15.00	CH35-36C	EL296UH090XV36C	7164941
XC21-024-230	TXV	24,000	20.00	15.00	CH35-36C	SLP98UH090XV36C	7165573
XC21-024-230	TXV	24,000	17.00	13.00	CH35-42B		7164942
XC21-024-230	TXV	24,000	19.00	14.00	CH35-42B	EL195UH045XE36B	7164943
XC21-024-230	TXV	24,000	20.00	14.00	CH35-42B	EL195UH070XE36B	7164944
XC21-024-230	TXV	24,000	19.00	14.00	CH35-42B	EL296UH045XE36B	7164945
XC21-024-230	TXV	24,000	20.00	15.00	CH35-42B	EL296UH045XV36B	7164947
XC21-024-230	TXV	24,000	20.00	14.00	CH35-42B	EL296UH070XE36B	7164946
XC21-024-230	TXV	24,000	20.00	15.00	CH35-42B	EL296UH070XV36B	7164948
XC21-024-230	TXV	24,000	20.00	15.00	CH35-42B	SL280UH090V36B	7165574
XC21-024-230	TXV	24,000	20.00	15.00	CH35-42B	SL280UH090V48B	7164949
XC21-024-230	TXV	24,000	21.00	15.00	CH35-42B	SLP98UH070XV36B	7165575
XC21-024-230	TXV	24,000	17.00	13.00	CH35-42C		7164950
XC21-024-230	TXV	24,000	21.00	15.00	CH35-42C	EL296UH090XV36C	7164951
XC21-024-230	TXV	24,000	21.00	15.00	CH35-42C	SLP98UH090XV36C	7165576
XC21-024-230	TXV	23,200	18.00	13.00	CR33-24	EL195DF045XE36B	5992561
XC21-024-230	TXV	23,200	18.00	13.00	CR33-24	EL296DF045XE36B	5992620
XC21-024-230	TXV	23,800	18.00	13.50	CR33-24	EL296DF045XV36B	5992558
XC21-024-230	TXV	24,200	18.00	13.50	CR33-24	SL280DF070V36A	5992418
XC21-024-230	TXV	24,000	18.00	13.50	CR33-24	SL280DF090V48B	5992419
XC21-024-230	TXV	25,000	17.00	13.00	CR33-30/36		5992372
XC21-024-230	TXV	24,800	19.00	14.00	CR33-30/36	EL195DF045XE36B	5992560
XC21-024-230	TXV	24,800	19.00	14.00	CR33-30/36	EL296DF045XE36B	5992619
XC21-024-230	TXV	25,600	20.00	14.00	CR33-30/36	EL296DF045XV36B	5992559
XC21-024-230	TXV	26,000	20.00	14.00	CR33-30/36	SL280DF070V36A	5992420
XC21-024-230	TXV	26,200	20.00	14.00	CR33-30/36	SL280DF090V48B	5992421
XC21-024-230	TXV	25,800	20.00	15.00	CR33-30/36	SLP98DF070XV36B	5992477
XC21-024-230	TXV	24,000	18.00	13.50	CR33-30/36	SLP98DF090XV36C	5992478
XC21-024-230	TXV	23,600	16.00	12.50	CX34-18/24		5992357
XC21-024-230	TXV	24,000	18.00	13.50	CX34-18/24	CBWMMV-24B-040	5992479
XC21-024-230	TXV	23,800	18.00	13.50	CX34-18/24	EL180UH045E36A	5992622
XC21-024-230	TXV	24,000	18.00	13.50	CX34-18/24	EL296UH045XV36B	5992506
XC21-024-230	TXV	24,000	18.00	14.00	CX34-18/24	EL296UH070XV36B	5992525

### NOTES:

TXV = Matched with Thermostatic Expansion Valve.

RFC = Matched with RFC metering device.

All matches with EL195E and ML180E gas furnaces require the use of a Blower Motor Relay Kit (**85W66**) for proper unit operation.

Ratings are AHRI Certified to AHRI Standard 210/240 (with 25 ft. of connecting refrigerant lines); 95°F outdoor air temperature, 80°F db / 67°F wb entering evaporator air. All ratings include the use of a blower time delay relay (TDR). All Lennox variable-speed furnaces and Air Handlers have time delay capabilities. Other Furnaces and Air Handlers may require an optional time delay relay (**58M81**) for field installation. See furnace or air handler specifications to determine if relay is needed.

Also see Expansion Valve Kit Usage Table.



## AHRI SYSTEM MATCHES

NOTE - For the latest up-to-date system matches please visit the AHRI web site at <http://www.ahridirectory.org>

Model No.	Expansion Device	Capacity	SEER	EER	Coil or Air Handler	Furnace	AHRI Reference
XC21-024-230	TXV	24,000	18.00	14.00	CX34-18/24	EL296UH090XV36C	5992546
XC21-024-230	TXV	24,200	19.00	13.50	CX34-18/24	SL280UH070V36A	5992379
XC21-024-230	TXV	24,200	19.00	13.50	CX34-18/24	SL280UH070XV36A	5992574
XC21-024-230	TXV	24,000	18.00	14.00	CX34-18/24	SL280UH090V36B	5992597
XC21-024-230	TXV	23,800	18.00	13.50	CX34-18/24	SL280UH090V48B	5992485
XC21-024-230	TXV	24,200	18.00	13.50	CX34-18/24	SLP98UH070XV36B	5992381
XC21-024-230	TXV	24,200	19.00	14.00	CX34-18/24	SLP98UH090XV36C	5992383
XC21-024-230	TXV	24,600	19.00	14.00	CX34-19	EL180UH045E36A	5992624
XC21-024-230	TXV	24,800	17.00	13.00	CX34-25		5992359
XC21-024-230	TXV	25,000	19.00	14.00	CX34-25	EL180UH045E36A	5992625
XC21-024-230	TXV	25,400	19.00	14.00	CX34-25	EL296UH045XV36B	5992508
XC21-024-230	TXV	25,400	20.00	14.00	CX34-25	EL296UH070XV36B	5992527
XC21-024-230	TXV	25,400	20.00	14.00	CX34-25	SL280UH070V36A	5992599
XC21-024-230	TXV	25,400	20.00	14.00	CX34-25	SL280UH070XV36A	5992576
XC21-024-230	TXV	26,000	20.00	15.00	CX34-25	SL280UH090V36B	5992385
XC21-024-230	TXV	25,200	19.00	14.50	CX34-25	SL280UH090V48B	5992487
XC21-024-230	TXV	25,400	20.00	14.00	CX34-25	SLP98UH070XV36B	5992387
XC21-024-230	TXV	24,000	16.00	12.50	CX34-30		5992361
XC21-024-230	TXV	24,400	18.00	13.50	CX34-30	EL180UH045E36A	5992628
XC21-024-230	TXV	24,600	19.00	14.00	CX34-30	EL296UH070XV36B	5992595
XC21-024-230	TXV	24,400	19.00	14.00	CX34-30	EL296UH090XV36C	5992548
XC21-024-230	TXV	24,600	19.00	14.00	CX34-30	SL280UH070V36A	5992389
XC21-024-230	TXV	24,600	19.00	14.00	CX34-30	SL280UH070XV36A	5992578
XC21-024-230	TXV	25,200	19.00	14.00	CX34-30	SL280UH090V36B	5992601
XC21-024-230	TXV	24,600	19.00	14.00	CX34-30	SLP98UH070XV36B	5992391
XC21-024-230	TXV	24,800	19.00	14.00	CX34-30	SLP98UH090XV36C	5992393
XC21-024-230	TXV	25,200	17.00	13.00	CX34-31		5992363
XC21-024-230	TXV	25,600	19.00	14.00	CX34-31	EL180UH045E36A	5992629
XC21-024-230	TXV	25,800	20.00	15.00	CX34-31	EL296UH045XV36B	5992509
XC21-024-230	TXV	25,800	20.00	15.00	CX34-31	EL296UH070XV36B	5992529
XC21-024-230	TXV	26,000	20.00	15.00	CX34-31	SL280UH070V36A	5992395
XC21-024-230	TXV	26,000	20.00	15.00	CX34-31	SL280UH070XV36A	5992580
XC21-024-230	TXV	26,000	20.00	14.50	CX34-31	SL280UH090V36B	5992378
XC21-024-230	TXV	25,600	19.00	14.50	CX34-31	SL280UH090V48B	5992489
XC21-024-230	TXV	26,000	20.00	15.00	CX34-31	SLP98UH070XV36B	5992397
XC21-024-230	TXV	24,600	17.00	13.00	CX34-36		5992365
XC21-024-230	TXV	25,000	19.00	14.00	CX34-36	CBWMV-36B-070	5992481
XC21-024-230	TXV	25,200	19.00	14.00	CX34-36	CBWMV-36C-090	5992483
XC21-024-230	TXV	25,000	19.00	14.00	CX34-36	EL180UH045E36A	5992632
XC21-024-230	TXV	25,200	19.00	14.00	CX34-36	EL296UH045XV36B	5992511
XC21-024-230	TXV	25,200	19.00	14.00	CX34-36	EL296UH070XV36B	5992531
XC21-024-230	TXV	25,200	20.00	14.00	CX34-36	EL296UH090XV36C	5992550
XC21-024-230	TXV	25,400	20.00	14.50	CX34-36	SL280UH070V36A	5992399
XC21-024-230	TXV	25,400	20.00	14.50	CX34-36	SL280UH070XV36A	5992582
XC21-024-230	TXV	25,800	20.00	14.00	CX34-36	SL280UH090V36B	5992401
XC21-024-230	TXV	25,000	19.00	14.20	CX34-36	SL280UH090V48B	5992491
XC21-024-230	TXV	25,400	20.00	14.00	CX34-36	SLP98UH070XV36B	5992403
XC21-024-230	TXV	25,400	20.00	14.00	CX34-36	SLP98UH090XV36C	5992405

### NOTES:

TXV = Matched with Thermostatic Expansion Valve.

RFC = Matched with RFC metering device.

All matches with EL195E and ML180E gas furnaces require the use of a Blower Motor Relay Kit (**85W66**) for proper unit operation.

Ratings are AHRI Certified to AHRI Standard 210/240 (with 25 ft. of connecting refrigerant lines); 95°F outdoor air temperature, 80°F db / 67°F wb entering evaporator air. All ratings include the use of a blower time delay relay (TDR). All Lennox variable-speed furnaces and Air Handlers have time delay capabilities. Other Furnaces and Air Handlers may require an optional time delay relay (**58M81**) for field installation. See furnace or air handler specifications to determine if relay is needed.

Also see Expansion Valve Kit Usage Table.

## AHRI SYSTEM MATCHES

NOTE - For the latest up-to-date system matches please visit the AHRI web site at <http://www.ahridirectory.org>

Model No.	Expansion Device	Capacity	SEER	EER	Coil or Air Handler	Furnace	AHRI Reference
XC21-024-230	TXV	25,400	17.00	13.00	CX34-38		5992367
XC21-024-230	TXV	26,000	20.00	15.00	CX34-38	EL296UH045XV36B	5992513
XC21-024-230	TXV	26,000	20.00	15.00	CX34-38	EL296UH070XV36B	5992533
XC21-024-230	TXV	26,200	20.00	15.00	CX34-38	SL280UH070V36A	5992407
XC21-024-230	TXV	26,200	20.00	15.00	CX34-38	SL280UH070XV36A	5992584
XC21-024-230	TXV	26,600	21.00	15.00	CX34-38	SL280UH090V36B	5992409
XC21-024-230	TXV	25,800	19.00	14.50	CX34-38	SL280UH090V48B	5992493
XC21-024-230	TXV	26,200	20.00	15.00	CX34-38	SLP98UH070XV36B	5992411
XC21-024-230	TXV	24,600	17.00	13.00	CX34-42		5992369
XC21-024-230	TXV	25,200	19.00	14.00	CX34-42	EL296UH045XV36B	5992515
XC21-024-230	TXV	25,200	19.00	14.00	CX34-42	EL296UH070XV36B	5992535
XC21-024-230	TXV	25,800	20.00	14.00	CX34-42	SL280UH090V36B	5992414
XC21-024-230	TXV	25,000	19.00	14.20	CX34-42	SL280UH090V48B	5992495
XC21-024-230	TXV	25,400	20.00	14.00	CX34-42	SLP98UH070XV36B	5992416
XC21-024-230	TXV	23,600	16.00	12.50	CX35-18/24A		8248708
XC21-024-230	TXV	23,800	18.00	13.50	CX35-18/24A	EL180UH045E36A	8248705
XC21-024-230	TXV	24,000	19.00	13.50	CX35-18/24A	SL280UH070V36A	8248706
XC21-024-230	TXV	24,000	19.00	13.50	CX35-18/24A	SL280UH070XV36A	8248707
XC21-024-230	TXV	23,600	16.00	12.50	CX35-18/24B		8248715
XC21-024-230	TXV	24,000	18.00	13.50	CX35-18/24B	CBWMV-24B-040	8248709
XC21-024-230	TXV	24,000	18.00	13.50	CX35-18/24B	EL296UH045XV36B	8248710
XC21-024-230	TXV	24,000	18.00	14.00	CX35-18/24B	EL296UH070XV36B	8248711
XC21-024-230	TXV	24,000	18.00	14.00	CX35-18/24B	SL280UH090V36B	8248712
XC21-024-230	TXV	23,800	18.00	13.50	CX35-18/24B	SL280UH090V48B	8248713
XC21-024-230	TXV	24,000	18.00	13.50	CX35-18/24B	SLP98UH070XV36B	8248714
XC21-024-230	TXV	24,000	17.00	13.00	CX35-24A		8249642
XC21-024-230	TXV	24,000	19.00	14.00	CX35-24A	EL180UH045E36A	8249639
XC21-024-230	TXV	24,000	20.00	14.00	CX35-24A	SL280UH070V36A	8249640
XC21-024-230	TXV	24,000	20.00	14.00	CX35-24A	SL280UH070XV36A	8249641
XC21-024-230	TXV	24,000	17.00	13.00	CX35-24B		8249646
XC21-024-230	TXV	24,000	19.00	14.00	CX35-24B	EL296UH045XV36B	8249643
XC21-024-230	TXV	24,000	20.00	14.00	CX35-24B	EL296UH070XV36B	8249644
XC21-024-230	TXV	24,000	19.00	14.00	CX35-24B	SL280UH090V48B	8249645
XC21-024-230	TXV	24,000	17.00	13.00	CX35-30/36A		8248719
XC21-024-230	TXV	24,000	19.00	14.00	CX35-30/36A	EL180UH045E36A	8248716
XC21-024-230	TXV	24,000	20.00	14.00	CX35-30/36A	SL280UH070V36A	8248717
XC21-024-230	TXV	24,000	20.00	14.00	CX35-30/36A	SL280UH070XV36A	8248718
XC21-024-230	TXV	24,000	17.00	13.00	CX35-30/36B		8248725
XC21-024-230	TXV	24,000	19.00	14.00	CX35-30/36B	CBWMV-36B-070	8248720
XC21-024-230	TXV	24,000	19.00	14.00	CX35-30/36B	EL296UH045XV36B	8248721
XC21-024-230	TXV	24,000	19.00	14.00	CX35-30/36B	EL296UH070XV36B	8248722
XC21-024-230	TXV	24,000	20.00	14.00	CX35-30/36B	SL280UH090V36B	8249647
XC21-024-230	TXV	24,000	19.00	14.00	CX35-30/36B	SL280UH090V48B	8248723
XC21-024-230	TXV	24,000	19.00	14.00	CX35-30/36B	SLP98UH090XV36C	8248724
XC21-024-230	TXV	24,000	17.00	13.00	CX35-30/36C		8248729
XC21-024-230	TXV	24,000	19.00	14.00	CX35-30/36C	CBWMV-36C-090	8248726
XC21-024-230	TXV	24,000	20.00	14.00	CX35-30/36C	EL296UH090XV36C	8248727
XC21-024-230	TXV	24,000	20.00	14.00	CX35-30/36C	SLP98UH070XV36B	8248728

### NOTES:

TXV = Matched with Thermostatic Expansion Valve.

RFC = Matched with RFC metering device.

All matches with EL195E and ML180E gas furnaces require the use of a Blower Motor Relay Kit (**85W66**) for proper unit operation.

Ratings are AHRI Certified to AHRI Standard 210/240 (with 25 ft. of connecting refrigerant lines); 95°F outdoor air temperature, 80°F db / 67°F wb entering evaporator air. All ratings include the use of a blower time delay relay (TDR). All Lennox variable-speed furnaces and Air Handlers have time delay capabilities. Other Furnaces and Air Handlers may require an optional time delay relay (**58M81**) for field installation. See furnace or air handler specifications to determine if relay is needed.

Also see Expansion Valve Kit Usage Table.

## AHRI SYSTEM MATCHES

NOTE - For the latest up-to-date system matches please visit the AHRI web site at <http://www.ahridirectory.org>

Model No.	Expansion Device	Capacity	SEER	EER	Coil or Air Handler	Furnace	AHRI Reference
XC21-024-230	TXV	24,000	17.00	13.00	CX35-30A		8248733
XC21-024-230	TXV	24,000	19.00	14.00	CX35-30A	EL180UH045E36A	8248730
XC21-024-230	TXV	24,000	20.00	14.00	CX35-30A	SL280UH070V36A	8248731
XC21-024-230	TXV	24,000	20.00	14.00	CX35-30A	SL280UH070XV36A	8248732
XC21-024-230	TXV	24,000	17.00	13.00	CX35-30B		8248739
XC21-024-230	TXV	24,000	20.00	14.00	CX35-30B	EL296UH045XV36B	8248734
XC21-024-230	TXV	24,000	20.00	14.00	CX35-30B	EL296UH070XV36B	8248735
XC21-024-230	TXV	24,000	20.00	14.00	CX35-30B	SL280UH090XV36A	8248736
XC21-024-230	TXV	24,000	19.00	14.00	CX35-30B	SL280UH090XV48B	8248737
XC21-024-230	TXV	24,000	20.00	14.00	CX35-30B	SLP98UH070XV36B	8248738
XC21-024-230	TXV	24,000	17.00	13.00	CX35-36A		8248743
XC21-024-230	TXV	24,000	19.00	14.00	CX35-36A	EL180UH045E36A	8248740
XC21-024-230	TXV	24,000	20.00	14.00	CX35-36A	SL280UH070V36A	8248741
XC21-024-230	TXV	24,000	20.00	14.00	CX35-36A	SL280UH070XV36A	8248742
XC21-024-230	TXV	24,000	17.00	13.00	CX35-36B		8248748
XC21-024-230	TXV	24,000	20.00	14.00	CX35-36B	EL296UH045XV36B	8248744
XC21-024-230	TXV	24,000	20.00	14.00	CX35-36B	EL296UH070XV36B	8248745
XC21-024-230	TXV	24,000	21.00	14.00	CX35-36B	SL280UH090V36B	8249648
XC21-024-230	TXV	24,000	19.00	14.00	CX35-36B	SL280UH090V48B	8248746
XC21-024-230	TXV	24,000	20.00	14.00	CX35-36B	SLP98UH070XV36B	8248747
XC21-024-230	TXV	24,000	20.00	14.00	CX35-48B	EL296UH045XV36B	8248749
XC21-024-230	TXV	24,000	20.00	14.00	CX35-48B	EL296UH070XV36B	8248750
XC21-036-230	TXV	35,000	18.00	13.00	C33-36	CBWMV-36B-070	5991589
XC21-036-230	TXV	35,000	18.00	13.00	C33-36	CBWMV-36C-090	5991591
XC21-036-230	TXV	35,000	17.00	13.00	C33-36	EL180UH045E36A	5992009
XC21-036-230	TXV	35,000	18.00	13.00	C33-36	EL180UH070E36B	5991980
XC21-036-230	TXV	35,000	18.00	13.00	C33-36	EL180UH090E48B	5991975
XC21-036-230	TXV	34,800	17.00	12.50	C33-36	EL195UH045XE36B	5991702
XC21-036-230	TXV	34,800	17.00	12.50	C33-36	EL195UH070XE36B	5991717
XC21-036-230	TXV	34,800	17.00	13.00	C33-36	EL195UH090XE48C	5991732
XC21-036-230	TXV	34,800	17.00	12.50	C33-36	EL296UH045XE36B	5991952
XC21-036-230	TXV	35,000	18.00	13.00	C33-36	EL296UH045XV36B	5991621
XC21-036-230	TXV	34,800	17.00	12.50	C33-36	EL296UH070XE36B	5991967
XC21-036-230	TXV	35,000	18.00	13.00	C33-36	EL296UH070XV36B	5991638
XC21-036-230	TXV	34,800	17.00	13.00	C33-36	EL296UH090XE48C	5991945
XC21-036-230	TXV	35,000	18.00	13.00	C33-36	EL296UH090XV36C	5991646
XC21-036-230	TXV	35,000	18.00	13.50	C33-36	EL296UH090XV48C	5991664
XC21-036-230	TXV	35,600	18.00	13.00	C33-36	EL296UH090XV60C	5991797
XC21-036-230	TXV	35,200	18.00	13.50	C33-36	EL296UH110XV48C	5991682
XC21-036-230	TXV	34,800	18.00	13.50	C33-36	SL280UH090V36B	5991460
XC21-036-230	TXV	35,000	18.00	13.50	C33-36	SL280UH090V48B	5991462
XC21-036-230	TXV	35,000	18.00	13.50	C33-36	SL280UH090XV48B	5991834
XC21-036-230	TXV	34,600	18.00	13.00	C33-36	SLP98UH070XV36B	5991464
XC21-036-230	TXV	35,000	18.00	13.00	C33-36	SLP98UH090XV36C	5991466
XC21-036-230	TXV	35,000	18.00	13.50	C33-36	SLP98UH090XV48C	5991468
XC21-036-230	TXV	35,600	18.50	13.20	C33-36	SLP98UH090XV60C	5991597
XC21-036-230	TXV	35,400	18.50	13.50	C33-36	SLP98UH110XV60C	5991599
XC21-036-230	TXV	36,000	16.00	12.50	C33-38		5991430

### NOTES:

TXV = Matched with Thermostatic Expansion Valve.

RFC = Matched with RFC metering device.

All matches with EL195E and ML180E gas furnaces require the use of a Blower Motor Relay Kit (**85W66**) for proper unit operation.

Ratings are AHRI Certified to AHRI Standard 210/240 (with 25 ft. of connecting refrigerant lines); 95°F outdoor air temperature, 80°F db / 67°F wb entering evaporator air. All ratings include the use of a blower time delay relay (TDR). All Lennox variable-speed furnaces and Air Handlers have time delay capabilities. Other Furnaces and Air Handlers may require an optional time delay relay (**58M81**) for field installation. See furnace or air handler specifications to determine if relay is needed.

Also see Expansion Valve Kit Usage Table.

## AHRI SYSTEM MATCHES

NOTE - For the latest up-to-date system matches please visit the AHRI web site at <http://www.ahridirectory.org>

Model No.	Expansion Device	Capacity	SEER	EER	Coil or Air Handler	Furnace	AHRI Reference
XC21-036-230	TXV	36,400	18.00	13.50	C33-38	CBWMV-36B-070	5991593
XC21-036-230	TXV	36,600	18.00	13.50	C33-38	EL180UH045E36A	5992012
XC21-036-230	TXV	36,600	18.00	13.50	C33-38	EL180UH070E36B	5991982
XC21-036-230	TXV	36,400	18.00	13.50	C33-38	EL180UH090E48B	5991977
XC21-036-230	TXV	36,200	18.00	13.00	C33-38	EL195UH045XE36B	5991704
XC21-036-230	TXV	36,400	18.00	13.00	C33-38	EL195UH070XE36B	5991719
XC21-036-230	TXV	36,200	18.00	13.00	C33-38	EL296UH045XE36B	5991954
XC21-036-230	TXV	36,400	18.00	13.50	C33-38	EL296UH045XV36B	5991623
XC21-036-230	TXV	36,400	18.00	13.00	C33-38	EL296UH070XE36B	5991969
XC21-036-230	TXV	36,400	18.00	13.50	C33-38	EL296UH070XV36B	5991640
XC21-036-230	TXV	36,600	18.00	13.50	C33-38	SL280UH070V36A	5991470
XC21-036-230	TXV	36,600	18.00	13.50	C33-38	SL280UH070XV36A	5991848
XC21-036-230	TXV	36,200	19.00	14.00	C33-38	SL280UH090V36B	5991472
XC21-036-230	TXV	36,600	18.00	14.00	C33-38	SL280UH090V48B	5991474
XC21-036-230	TXV	36,600	18.00	14.00	C33-38	SL280UH090XV48B	5991836
XC21-036-230	TXV	36,600	19.00	13.50	C33-38	SLO185B124/141V60	7110015
XC21-036-230	TXV	36,600	19.00	13.50	C33-38	SLO185UF124/141V60	7109997
XC21-036-230	TXV	36,000	18.00	13.50	C33-38	SLP98UH070XV36B	5991476
XC21-036-230	TXV	35,000	18.00	13.00	C33-42	CBWMV-36B-070	5991595
XC21-036-230	TXV	35,000	18.00	13.00	C33-42	EL180UH070E36B	5992005
XC21-036-230	TXV	34,800	17.00	12.50	C33-42	EL195UH045XE36B	5991860
XC21-036-230	TXV	34,800	17.00	12.50	C33-42	EL195UH070XE36B	5991862
XC21-036-230	TXV	34,800	17.00	12.50	C33-42	EL296UH045XE36B	5991934
XC21-036-230	TXV	34,800	17.00	12.50	C33-42	EL296UH070XE36B	5991936
XC21-036-230	TXV	35,000	18.00	13.00	C33-42	EL296UH070XV36B	5991854
XC21-036-230	TXV	34,800	18.00	13.50	C33-42	SL280UH090V36B	5991478
XC21-036-230	TXV	35,000	18.00	13.50	C33-42	SL280UH090V48B	5991480
XC21-036-230	TXV	35,000	18.00	13.50	C33-42	SL280UH090XV48B	5991838
XC21-036-230	TXV	34,600	18.00	13.00	C33-42	SLP98UH070XV36B	5991482
XC21-036-230	TXV	36,200	16.00	12.50	C33-43		5991434
XC21-036-230	TXV	36,800	18.00	13.50	C33-43	CBWMV-36C-090	5991870
XC21-036-230	TXV	36,800	18.00	13.50	C33-43	EL180UH070E36B	5991984
XC21-036-230	TXV	36,600	18.00	13.50	C33-43	EL180UH090E48B	5991979
XC21-036-230	TXV	36,400	18.00	13.00	C33-43	EL195UH045XE36B	5991706
XC21-036-230	TXV	36,600	18.00	13.00	C33-43	EL195UH070XE36B	5991721
XC21-036-230	TXV	36,400	18.00	13.50	C33-43	EL195UH090XE48C	5991734
XC21-036-230	TXV	36,400	18.00	13.00	C33-43	EL296UH045XE36B	5991956
XC21-036-230	TXV	36,600	18.00	13.50	C33-43	EL296UH045XV36B	5991625
XC21-036-230	TXV	36,600	18.00	13.00	C33-43	EL296UH070XE36B	5991971
XC21-036-230	TXV	36,600	18.00	13.50	C33-43	EL296UH070XV36B	5991642
XC21-036-230	TXV	36,400	18.00	13.50	C33-43	EL296UH090XE48C	5991947
XC21-036-230	TXV	36,800	18.00	14.00	C33-43	EL296UH090XV36C	5991648
XC21-036-230	TXV	36,600	19.00	14.00	C33-43	EL296UH090XV48C	5991666
XC21-036-230	TXV	37,400	19.00	14.00	C33-43	EL296UH090XV60C	5991799
XC21-036-230	TXV	36,800	19.00	14.00	C33-43	EL296UH110XV48C	5991684
XC21-036-230	TXV	37,200	19.00	14.00	C33-43	EL296UH110XV60C	5991801
XC21-036-230	TXV	36,400	18.00	14.00	C33-43	SL280UH090V36B	5991484
XC21-036-230	TXV	36,800	18.00	14.00	C33-43	SL280UH090V48B	5991486

### NOTES:

TXV = Matched with Thermostatic Expansion Valve.

RFC = Matched with RFC metering device.

All matches with EL195E and ML180E gas furnaces require the use of a Blower Motor Relay Kit (**85W66**) for proper unit operation.

Ratings are AHRI Certified to AHRI Standard 210/240 (with 25 ft. of connecting refrigerant lines); 95°F outdoor air temperature, 80°F db / 67°F wb entering evaporator air. All ratings include the use of a blower time delay relay (TDR). All Lennox variable-speed furnaces and Air Handlers have time delay capabilities. Other Furnaces and Air Handlers may require an optional time delay relay (**58M81**) for field installation. See furnace or air handler specifications to determine if relay is needed.

Also see Expansion Valve Kit Usage Table.



## AHRI SYSTEM MATCHES

NOTE - For the latest up-to-date system matches please visit the AHRI web site at <http://www.ahridirectory.org>

Model No.	Expansion Device	Capacity	SEER	EER	Coil or Air Handler	Furnace	AHRI Reference
XC21-036-230	TXV	37,400	19.00	14.00	C33-43	SL280UH090V60C	5991490
XC21-036-230	TXV	36,800	18.00	14.00	C33-43	SL280UH090XV48B	5991840
XC21-036-230	TXV	37,400	19.00	14.00	C33-43	SL280UH090XV60C	5991820
XC21-036-230	TXV	37,000	18.00	13.50	C33-43	SL280UH110V60C	5991492
XC21-036-230	TXV	37,000	18.00	13.50	C33-43	SL280UH110XV60C	5991827
XC21-036-230	TXV	36,800	19.00	14.00	C33-43	SLO185B124/141V60	7110016
XC21-036-230	TXV	36,800	18.00	13.50	C33-43	SLO185UF124/141V60	7109998
XC21-036-230	TXV	36,400	18.00	13.50	C33-43	SLP98UH070XV36B	5991488
XC21-036-230	TXV	36,200	18.00	13.50	C33-43	SLP98UH090XV36C	5991494
XC21-036-230	TXV	36,600	18.00	14.00	C33-43	SLP98UH090XV48C	5991496
XC21-036-230	TXV	37,400	19.20	14.00	C33-43	SLP98UH090XV60C	5991601
XC21-036-230	TXV	37,200	19.20	14.00	C33-43	SLP98UH110XV60C	5991603
XC21-036-230	TXV	36,200	18.00	13.50	C33-44	SLO185B124/141V60	7110017
XC21-036-230	TXV	36,200	18.00	13.00	C33-44	SLO185UF124/141V60	7109999
XC21-036-230	TXV	35,600	16.00	12.50	C33-48		5991436
XC21-036-230	TXV	36,200	18.00	13.00	C33-48	EL180UH070E36B	5991996
XC21-036-230	TXV	36,000	18.00	13.50	C33-48	EL180UH090E48B	5991986
XC21-036-230	TXV	35,800	17.00	12.50	C33-48	EL195UH045XE36B	5991708
XC21-036-230	TXV	36,000	18.00	13.00	C33-48	EL195UH070XE36B	5991723
XC21-036-230	TXV	35,800	18.00	13.50	C33-48	EL195UH090XE48C	5991736
XC21-036-230	TXV	35,800	17.00	12.50	C33-48	EL296UH045XE36B	5991958
XC21-036-230	TXV	36,000	18.00	13.00	C33-48	EL296UH045XV36B	5991627
XC21-036-230	TXV	36,000	18.00	13.00	C33-48	EL296UH070XE36B	5991914
XC21-036-230	TXV	36,000	18.00	13.00	C33-48	EL296UH070XV36B	5991644
XC21-036-230	TXV	35,800	18.00	13.50	C33-48	EL296UH090XE48C	5991949
XC21-036-230	TXV	36,200	18.00	13.50	C33-48	EL296UH090XV36C	5991650
XC21-036-230	TXV	36,000	18.00	13.50	C33-48	EL296UH090XV48C	5991668
XC21-036-230	TXV	36,800	19.00	13.50	C33-48	EL296UH090XV60C	5991803
XC21-036-230	TXV	36,200	19.00	13.50	C33-48	EL296UH110XV48C	5991686
XC21-036-230	TXV	36,600	19.00	13.50	C33-48	EL296UH110XV60C	5991805
XC21-036-230	TXV	35,800	18.00	13.50	C33-48	SL280UH090V36B	5991498
XC21-036-230	TXV	36,200	18.00	13.50	C33-48	SL280UH090V48B	5991500
XC21-036-230	TXV	36,200	18.00	13.50	C33-48	SL280UH090XV48B	5991842
XC21-036-230	TXV	36,200	18.00	13.50	C33-48	SLO185B124/141V60	7110018
XC21-036-230	TXV	36,200	18.00	13.00	C33-48	SLO185UF124/141V60	7110000
XC21-036-230	TXV	35,800	18.00	13.50	C33-48	SLP98UH070XV36B	5991502
XC21-036-230	TXV	35,600	18.00	13.50	C33-48	SLP98UH090XV36C	5991504
XC21-036-230	TXV	36,000	18.00	13.50	C33-48	SLP98UH090XV48C	5991506
XC21-036-230	TXV	36,800	19.00	13.70	C33-48	SLP98UH090XV60C	5991605
XC21-036-230	TXV	36,600	19.00	13.70	C33-48	SLP98UH110XV60C	5991607
XC21-036-230	TXV	36,400	16.00	12.50	C33-49		5991438
XC21-036-230	TXV	36,600	18.00	13.50	C33-49	EL195UH090XE48C	5991738
XC21-036-230	TXV	36,600	18.00	13.50	C33-49	EL296UH090XE48C	5991951
XC21-036-230	TXV	37,000	18.00	14.00	C33-49	EL296UH090XV36C	5991654
XC21-036-230	TXV	36,800	19.00	14.00	C33-49	EL296UH090XV48C	5991670
XC21-036-230	TXV	37,600	19.00	14.00	C33-49	EL296UH090XV60C	5991807
XC21-036-230	TXV	37,000	19.00	14.00	C33-49	EL296UH110XV48C	5991688
XC21-036-230	TXV	37,000	19.00	14.00	C33-49	SL280UH090V60C	5991796

### NOTES:

TXV = Matched with Thermostatic Expansion Valve.

RFC = Matched with RFC metering device.

All matches with EL195E and ML180E gas furnaces require the use of a Blower Motor Relay Kit (**85W66**) for proper unit operation.

Ratings are AHRI Certified to AHRI Standard 210/240 (with 25 ft. of connecting refrigerant lines); 95°F outdoor air temperature, 80°F db / 67°F wb entering evaporator air. All ratings include the use of a blower time delay relay (TDR). All Lennox variable-speed furnaces and Air Handlers have time delay capabilities. Other Furnaces and Air Handlers may require an optional time delay relay (**58M81**) for field installation. See furnace or air handler specifications to determine if relay is needed.

Also see Expansion Valve Kit Usage Table.

## AHRI SYSTEM MATCHES

NOTE - For the latest up-to-date system matches please visit the AHRI web site at <http://www.ahridirectory.org>

Model No.	Expansion Device	Capacity	SEER	EER	Coil or Air Handler	Furnace	AHRI Reference
XC21-036-230	TXV	37,000	19.00	14.00	C33-49	SL280UH090XV60C	5991824
XC21-036-230	TXV	37,400	18.00	13.50	C33-49	SL280UH110V60C	5991508
XC21-036-230	TXV	37,400	18.00	13.50	C33-49	SL280UH110XV60C	5991829
XC21-036-230	TXV	37,000	19.00	14.00	C33-49	SLO185B124/141V60	7110019
XC21-036-230	TXV	36,800	18.00	13.00	C33-49	SLO185B79/105V42	7109995
XC21-036-230	TXV	37,000	18.00	13.50	C33-49	SLO185UF124/141V60	7110001
XC21-036-230	TXV	36,600	18.00	13.00	C33-49	SLO185UF79/105V42	7109992
XC21-036-230	TXV	36,400	18.00	14.00	C33-49	SLP98UH090XV36C	5991510
XC21-036-230	TXV	36,800	18.00	14.00	C33-49	SLP98UH090XV48C	5991512
XC21-036-230	TXV	37,600	19.00	14.00	C33-49	SLP98UH090XV60C	5991857
XC21-036-230	TXV	36,000	16.00	12.50	C33-50/60C		5991440
XC21-036-230	TXV	36,200	18.00	13.50	C33-50/60C	EL195UH090XE48C	5991740
XC21-036-230	TXV	36,200	18.00	13.50	C33-50/60C	EL296UH090XE48C	5991917
XC21-036-230	TXV	36,600	18.00	13.50	C33-50/60C	EL296UH090XV36C	5991652
XC21-036-230	TXV	36,400	19.00	14.00	C33-50/60C	EL296UH090XV48C	5991672
XC21-036-230	TXV	37,200	19.00	13.50	C33-50/60C	EL296UH090XV60C	5991809
XC21-036-230	TXV	36,600	19.00	14.00	C33-50/60C	EL296UH110XV48C	5991690
XC21-036-230	TXV	36,600	19.00	13.50	C33-50/60C	SLO185B124/141V60	7110020
XC21-036-230	TXV	36,600	18.00	13.50	C33-50/60C	SLO185UF124/141V60	7110002
XC21-036-230	TXV	36,000	18.00	13.50	C33-50/60C	SLP98UH090XV36C	5991514
XC21-036-230	TXV	36,400	18.00	14.00	C33-50/60C	SLP98UH090XV48C	5991516
XC21-036-230	TXV	37,200	19.00	13.70	C33-50/60C	SLP98UH090XV60C	5991859
XC21-036-230	TXV	36,600	16.00	13.00	C33-60D		5991442
XC21-036-230	TXV	37,200	19.00	14.00	C33-60D	SL280UH135V60D	5991518
XC21-036-230	TXV	37,200	19.00	14.00	C33-60D	SLO185B124/141V60	7110022
XC21-036-230	TXV	37,200	19.00	13.50	C33-60D	SLO185UF124/141V60	7110004
XC21-036-230	TXV	36,800	18.00	13.00	C33-60D	SLO185UF79/105V42	7109994
XC21-036-230	TXV	38,000	19.00	14.00	C33-62C	SLO185B124/141V60	7110021
XC21-036-230	TXV	38,000	19.00	13.50	C33-62C	SLO185UF124/141V60	7110003
XC21-036-230	TXV	37,400	19.00	14.00	C33-62D	SLO185B124/141V60	7110023
XC21-036-230	TXV	37,400	19.00	13.50	C33-62D	SLO185UF124/141V60	7110005
XC21-036-230	TXV	34,000	16.00	12.20	C35-30/36A		8249650
XC21-036-230	TXV	35,000	17.00	13.00	C35-30/36A	EL180UH045E36A	8249649
XC21-036-230	TXV	34,000	16.00	12.20	C35-30/36B		8249664
XC21-036-230	TXV	35,000	18.00	13.00	C35-30/36B	CBWMV-36B-070	8249651
XC21-036-230	TXV	35,000	18.00	13.00	C35-30/36B	EL180UH070E36B	8249652
XC21-036-230	TXV	35,000	18.00	13.00	C35-30/36B	EL180UH090E48B	8249653
XC21-036-230	TXV	36,000	17.00	12.50	C35-30/36B	EL195UH045XE36B	8249654
XC21-036-230	TXV	34,800	17.00	12.50	C35-30/36B	EL195UH070XE36B	8249655
XC21-036-230	TXV	34,800	17.00	12.50	C35-30/36B	EL296UH045XE36B	8249657
XC21-036-230	TXV	35,000	18.00	13.00	C35-30/36B	EL296UH045XV36B	8249656
XC21-036-230	TXV	34,800	17.00	12.50	C35-30/36B	EL296UH070XE36B	8249659
XC21-036-230	TXV	35,000	18.00	13.00	C35-30/36B	EL296UH070XV36B	8249658
XC21-036-230	TXV	34,800	18.00	13.00	C35-30/36B	SL280UH090V36B	8249660
XC21-036-230	TXV	35,000	18.00	13.00	C35-30/36B	SL280UH090V48B	8249661
XC21-036-230	TXV	35,000	18.00	13.00	C35-30/36B	SL280UH090XV48B	8249662
XC21-036-230	TXV	36,000	18.00	13.00	C35-30/36B	SLP98UH070XV36B	8249663
XC21-036-230	TXV	34,000	16.00	12.20	C35-30/36C		8249677

### NOTES:

TXV = Matched with Thermostatic Expansion Valve.

RFC = Matched with RFC metering device.

All matches with EL195E and ML180E gas furnaces require the use of a Blower Motor Relay Kit (**85W66**) for proper unit operation.

Ratings are AHRI Certified to AHRI Standard 210/240 (with 25 ft. of connecting refrigerant lines); 95°F outdoor air temperature, 80°F db / 67°F wb entering evaporator air. All ratings include the use of a blower time delay relay (TDR). All Lennox variable-speed furnaces and Air Handlers have time delay capabilities. Other Furnaces and Air Handlers may require an optional time delay relay (**58M81**) for field installation. See furnace or air handler specifications to determine if relay is needed.

Also see Expansion Valve Kit Usage Table.

## AHRI SYSTEM MATCHES

NOTE - For the latest up-to-date system matches please visit the AHRI web site at <http://www.ahridirectory.org>

Model No.	Expansion Device	Capacity	SEER	EER	Coil or Air Handler	Furnace	AHRI Reference
XC21-036-230	TXV	35,000	18.00	13.00	C35-30/36C	CBWMV-36C-090	8249665
XC21-036-230	TXV	34,800	17.00	13.00	C35-30/36C	EL195UH090XE48C	8249666
XC21-036-230	TXV	34,800	17.00	13.00	C35-30/36C	EL296UH090XE48C	8249669
XC21-036-230	TXV	35,000	18.00	13.00	C35-30/36C	EL296UH090XV36C	8249667
XC21-036-230	TXV	35,000	18.00	13.00	C35-30/36C	EL296UH090XV48C	8249668
XC21-036-230	TXV	35,600	18.00	13.00	C35-30/36C	EL296UH090XV60C	8249670
XC21-036-230	TXV	35,200	18.00	13.00	C35-30/36C	EL296UH110XV48C	8249671
XC21-036-230	TXV	35,000	18.00	13.00	C35-30/36C	EL296UH110XV60C	8249672
XC21-036-230	TXV	35,000	18.00	13.00	C35-30/36C	SLP98UH090XV36C	8249673
XC21-036-230	TXV	35,000	18.00	13.00	C35-30/36C	SLP98UH090XV48C	8249674
XC21-036-230	TXV	35,600	18.00	13.00	C35-30/36C	SLP98UH090XV60C	8249675
XC21-036-230	TXV	35,400	18.00	13.50	C35-30/36C	SLP98UH110XV60C	8249676
XC21-036-230	TXV	36,000	16.00	12.50	C35-36A		8249681
XC21-036-230	TXV	36,000	18.00	13.50	C35-36A	EL180UH045E36A	8249678
XC21-036-230	TXV	36,000	18.00	13.00	C35-36A	SL280UH070V36A	8249679
XC21-036-230	TXV	36,000	18.00	13.00	C35-36A	SL280UH070XV36A	8249680
XC21-036-230	TXV	36,000	16.00	12.50	C35-36B		8249697
XC21-036-230	TXV	36,000	18.00	13.50	C35-36B	CBWMV-36B-070	8249682
XC21-036-230	TXV	36,000	18.00	13.50	C35-36B	EL180UH070E36B	8249683
XC21-036-230	TXV	36,000	18.00	13.50	C35-36B	EL180UH090E48B	8249684
XC21-036-230	TXV	36,000	18.00	13.00	C35-36B	EL195UH045XE36B	8249685
XC21-036-230	TXV	36,000	18.00	13.00	C35-36B	EL195UH070XE36B	8249686
XC21-036-230	TXV	36,000	18.00	13.00	C35-36B	EL296UH045XE36B	8249688
XC21-036-230	TXV	36,000	18.00	13.50	C35-36B	EL296UH045XV36B	8249687
XC21-036-230	TXV	36,000	18.00	13.00	C35-36B	EL296UH070XE36B	8249690
XC21-036-230	TXV	36,000	18.00	13.50	C35-36B	EL296UH070XV36B	8249689
XC21-036-230	TXV	36,000	19.00	13.50	C35-36B	SL280UH090V36B	8249691
XC21-036-230	TXV	36,000	18.00	13.50	C35-36B	SL280UH090V48B	8249692
XC21-036-230	TXV	36,000	18.00	13.50	C35-36B	SL280UH090XV48B	8249693
XC21-036-230	TXV	36,000	18.00	13.50	C35-36B	SLO185B124/141V60	8249694
XC21-036-230	TXV	36,000	19.00	13.50	C35-36B	SLO185UF124/141V60	8249695
XC21-036-230	TXV	36,000	18.00	13.50	C35-36B	SLP98UH070XV36B	8249696
XC21-036-230	TXV	36,000	16.00	12.50	C35-48B		8249710
XC21-036-230	TXV	36,000	18.00	13.50	C35-48B	EL180UH070E36B	8249698
XC21-036-230	TXV	36,000	18.00	13.50	C35-48B	EL180UH090E48B	8249699
XC21-036-230	TXV	36,000	18.00	13.00	C35-48B	EL195UH045XE36B	8249700
XC21-036-230	TXV	36,000	18.00	13.00	C35-48B	EL195UH070XE36B	8249701
XC21-036-230	TXV	36,000	18.00	13.00	C35-48B	EL296UH045XE36B	8249703
XC21-036-230	TXV	36,000	18.00	13.50	C35-48B	EL296UH045XV36B	8249702
XC21-036-230	TXV	36,000	18.00	13.00	C35-48B	EL296UH070XE36B	8249705
XC21-036-230	TXV	36,000	18.00	13.50	C35-48B	EL296UH070XV36B	8249704
XC21-036-230	TXV	36,000	18.00	14.00	C35-48B	SL280UH090V36B	8249706
XC21-036-230	TXV	36,000	18.00	13.50	C35-48B	SL280UH090V48B	8249707
XC21-036-230	TXV	36,000	18.00	13.50	C35-48B	SL280UH090XV48B	8249708
XC21-036-230	TXV	36,000	18.00	13.50	C35-48B	SLP98UH070XV36B	8249709
XC21-036-230	TXV	36,000	16.00	12.50	C35-48C		8249729
XC21-036-230	TXV	36,000	18.00	13.50	C35-48C	CBWMV-36C-090	8249711
XC21-036-230	TXV	36,000	18.00	13.50	C35-48C	EL195UH090XE48C	8249712

### NOTES:

TXV = Matched with Thermostatic Expansion Valve.

RFC = Matched with RFC metering device.

All matches with EL195E and ML180E gas furnaces require the use of a Blower Motor Relay Kit (**85W66**) for proper unit operation.

Ratings are AHRI Certified to AHRI Standard 210/240 (with 25 ft. of connecting refrigerant lines); 95°F outdoor air temperature, 80°F db / 67°F wb entering evaporator air. All ratings include the use of a blower time delay relay (TDR). All Lennox variable-speed furnaces and Air Handlers have time delay capabilities. Other Furnaces and Air Handlers may require an optional time delay relay (**58M81**) for field installation. See furnace or air handler specifications to determine if relay is needed.

Also see Expansion Valve Kit Usage Table.

## AHRI SYSTEM MATCHES

NOTE - For the latest up-to-date system matches please visit the AHRI web site at <http://www.ahridirectory.org>

Model No.	Expansion Device	Capacity	SEER	EER	Coil or Air Handler	Furnace	AHRI Reference
XC21-036-230	TXV	36,000	18.00	13.50	C35-48C	EL296UH090XE48C	8249715
XC21-036-230	TXV	36,000	18.00	13.50	C35-48C	EL296UH090XV36C	8249713
XC21-036-230	TXV	36,000	19.00	14.00	C35-48C	EL296UH090XV48C	8249714
XC21-036-230	TXV	36,000	19.00	13.50	C35-48C	EL296UH090XV60C	8249716
XC21-036-230	TXV	36,000	19.00	14.00	C35-48C	EL296UH110XV48C	8249717
XC21-036-230	TXV	36,000	19.00	14.00	C35-48C	EL296UH110XV60C	8249718
XC21-036-230	TXV	36,000	19.00	14.00	C35-48C	SL280UH090V60C	8249719
XC21-036-230	TXV	36,000	19.00	14.00	C35-48C	SL280UH090XV60C	8249720
XC21-036-230	TXV	36,000	18.00	13.50	C35-48C	SL280UH110V60C	8249721
XC21-036-230	TXV	36,000	18.00	13.50	C35-48C	SL280UH110XV60C	8249722
XC21-036-230	TXV	36,000	18.00	13.50	C35-48C	SLO185B124/141V60	8249723
XC21-036-230	TXV	36,000	18.00	13.50	C35-48C	SLO185UF124/141V60	8249724
XC21-036-230	TXV	36,000	18.00	13.50	C35-48C	SLP98UH090XV36C	8249725
XC21-036-230	TXV	36,000	18.00	14.00	C35-48C	SLP98UH090XV48C	8249726
XC21-036-230	TXV	36,000	19.00	13.50	C35-48C	SLP98UH090XV60C	8249727
XC21-036-230	TXV	36,000	19.00	14.00	C35-48C	SLP98UH110XV60C	8249728
XC21-036-230	TXV	36,000	16.00	12.50	C35-50/60C		8249741
XC21-036-230	TXV	36,000	18.00	13.50	C35-50/60C	EL195UH090XE48C	8249730
XC21-036-230	TXV	36,000	18.00	13.50	C35-50/60C	EL296UH090XE48C	8249733
XC21-036-230	TXV	36,000	18.00	13.50	C35-50/60C	EL296UH090XV36C	8249731
XC21-036-230	TXV	36,000	19.00	13.50	C35-50/60C	EL296UH090XV48C	8249732
XC21-036-230	TXV	36,000	19.00	13.50	C35-50/60C	EL296UH090XV60C	8249734
XC21-036-230	TXV	36,000	19.00	13.50	C35-50/60C	EL296UH110XV48C	8249735
XC21-036-230	TXV	36,000	18.00	13.50	C35-50/60C	SLO185B124/141V60	8249736
XC21-036-230	TXV	36,000	18.00	13.50	C35-50/60C	SLO185UF124/141V60	8249737
XC21-036-230	TXV	36,000	18.00	13.50	C35-50/60C	SLP98UH090XV36C	8249738
XC21-036-230	TXV	36,000	18.00	13.50	C35-50/60C	SLP98UH090XV48C	8249739
XC21-036-230	TXV	36,000	19.00	13.50	C35-50/60C	SLP98UH090XV60C	8249740
XC21-036-230	TXV	36,000	19.00	14.00	C35-60C	SLO185B124/141V60	8249742
XC21-036-230	TXV	36,000	19.00	13.50	C35-60C	SLO185UF124/141V60	8249743
XC21-036-230	TXV	36,000	19.00	14.00	C35-60D	SLO185B124/141V60	8249744
XC21-036-230	TXV	36,000	19.00	13.50	C35-60D	SLO185UF124/141V60	8249745
XC21-036-230	TXV	36,000	18.00	13.50	CBX27UH-036		5991575
XC21-036-230	TXV	37,200	19.00	14.00	CBX27UH-042		5991576
XC21-036-230	TXV	35,200	17.00	12.50	CBX32M-030		5991571
XC21-036-230	TXV	35,600	17.00	12.50	CBX32M-036		5991572
XC21-036-230	TXV	35,800	17.00	12.50	CBX32M-042		5991573
XC21-036-230	TXV	36,800	17.00	13.50	CBX32M-048		5991574
XC21-036-230	TXV	35,600	18.00	13.00	CBX32MV-024/030		5991577
XC21-036-230	TXV	35,600	19.00	13.50	CBX32MV-036		5991578
XC21-036-230	TXV	37,200	19.50	14.20	CBX32MV-048		5991579
XC21-036-230	TXV	36,000	19.00	13.50	CBX40UHV-030		5991580
XC21-036-230	TXV	35,600	18.00	13.50	CBX40UHV-036		5991581
XC21-036-230	TXV	37,200	19.00	14.00	CBX40UHV-042		5991582
XC21-036-230	TXV	37,200	19.00	14.20	CBX40UHV-048		5991583
XC21-036-230	TXV	33,000	16.00	12.50	CH23-31	EL180UH090E48B	5991992
XC21-036-230	TXV	32,800	16.00	12.50	CH23-31	EL195UH090XE48C	5991747
XC21-036-230	TXV	33,200	17.00	12.50	CH23-31	EL296UH045XV36B	5991628

### NOTES:

TXV = Matched with Thermostatic Expansion Valve.

RFC = Matched with RFC metering device.

All matches with EL195E and ML180E gas furnaces require the use of a Blower Motor Relay Kit (**85W66**) for proper unit operation.

Ratings are AHRI Certified to AHRI Standard 210/240 (with 25 ft. of connecting refrigerant lines); 95°F outdoor air temperature, 80°F db / 67°F wb entering evaporator air. All ratings include the use of a blower time delay relay (TDR). All Lennox variable-speed furnaces and Air Handlers have time delay capabilities. Other Furnaces and Air Handlers may require an optional time delay relay (**58M81**) for field installation. See furnace or air handler specifications to determine if relay is needed.

Also see Expansion Valve Kit Usage Table.



## AHRI SYSTEM MATCHES

NOTE - For the latest up-to-date system matches please visit the AHRI web site at <http://www.ahridirectory.org>

Model No.	Expansion Device	Capacity	SEER	EER	Coil or Air Handler	Furnace	AHRI Reference
XC21-036-230	TXV	33,200	17.00	12.50	CH23-31	EL296UH070XV36B	5991635
XC21-036-230	TXV	32,800	16.00	12.50	CH23-31	EL296UH090XE48C	5991924
XC21-036-230	TXV	33,200	17.00	12.50	CH23-31	EL296UH090XV36C	5991661
XC21-036-230	TXV	33,000	17.00	12.50	CH23-31	EL296UH090XV48C	5991679
XC21-036-230	TXV	33,200	17.00	12.50	CH23-31	EL296UH110XV48C	5991697
XC21-036-230	TXV	33,200	17.00	12.50	CH23-31	SL280UH070V36A	5991528
XC21-036-230	TXV	33,200	17.00	12.50	CH23-31	SL280UH070XV36A	5991849
XC21-036-230	TXV	33,000	17.00	13.00	CH23-31	SL280UH090V36B	5991529
XC21-036-230	TXV	32,800	17.00	12.50	CH23-31	SLP98UH070XV36B	5991530
XC21-036-230	TXV	35,200	17.00	13.00	CH23-41	EL180UH045E36A	5992016
XC21-036-230	TXV	35,200	18.00	13.00	CH23-41	EL180UH070E36B	5992003
XC21-036-230	TXV	35,200	18.00	13.00	CH23-41	EL180UH090E48B	5991993
XC21-036-230	TXV	35,000	17.00	12.50	CH23-41	EL195UH045XE36B	5991715
XC21-036-230	TXV	35,000	17.00	12.50	CH23-41	EL195UH070XE36B	5991730
XC21-036-230	TXV	35,000	17.00	13.00	CH23-41	EL195UH090XE48C	5991748
XC21-036-230	TXV	35,000	17.00	12.50	CH23-41	EL296UH045XE36B	5991965
XC21-036-230	TXV	35,200	18.00	13.00	CH23-41	EL296UH045XV36B	5991629
XC21-036-230	TXV	35,000	17.00	12.50	CH23-41	EL296UH070XE36B	5991943
XC21-036-230	TXV	35,200	18.00	13.00	CH23-41	EL296UH070XV36B	5991636
XC21-036-230	TXV	35,000	17.00	13.00	CH23-41	EL296UH090XE48C	5991925
XC21-036-230	TXV	35,400	18.00	13.50	CH23-41	EL296UH090XV36C	5991662
XC21-036-230	TXV	35,200	18.00	13.50	CH23-41	EL296UH090XV48C	5991680
XC21-036-230	TXV	35,400	18.00	13.50	CH23-41	EL296UH110XV48C	5991973
XC21-036-230	TXV	35,400	18.00	13.00	CH23-41	SL280UH070V36A	5991531
XC21-036-230	TXV	35,400	18.00	13.00	CH23-41	SL280UH070XV36A	5991850
XC21-036-230	TXV	35,200	18.00	13.50	CH23-41	SL280UH090V36B	5991532
XC21-036-230	TXV	35,000	18.00	13.50	CH23-41	SLP98UH070XV36B	5991533
XC21-036-230	TXV	35,000	18.00	13.50	CH23-41	SLP98UH090XV36C	5991534
XC21-036-230	TXV	35,200	18.00	13.50	CH23-41	SLP98UH090XV48C	5991535
XC21-036-230	TXV	35,400	18.00	13.00	CH23-51	EL180UH070E36B	5992004
XC21-036-230	TXV	35,200	18.00	13.00	CH23-51	EL180UH090E48B	5991994
XC21-036-230	TXV	35,000	17.00	12.50	CH23-51	EL195UH045XE36B	5991716
XC21-036-230	TXV	35,200	17.00	12.50	CH23-51	EL195UH070XE36B	5991731
XC21-036-230	TXV	35,200	18.00	13.00	CH23-51	EL195UH090XE48C	5991749
XC21-036-230	TXV	35,000	17.00	12.50	CH23-51	EL296UH045XE36B	5991966
XC21-036-230	TXV	35,400	18.00	13.00	CH23-51	EL296UH045XV36B	5991630
XC21-036-230	TXV	35,200	17.00	12.50	CH23-51	EL296UH070XE36B	5991944
XC21-036-230	TXV	35,400	18.00	13.00	CH23-51	EL296UH070XV36B	5991637
XC21-036-230	TXV	35,200	18.00	13.00	CH23-51	EL296UH090XE48C	5991926
XC21-036-230	TXV	35,600	18.00	13.50	CH23-51	EL296UH090XV36C	5991663
XC21-036-230	TXV	35,400	18.00	13.50	CH23-51	EL296UH090XV48C	5991681
XC21-036-230	TXV	35,600	19.00	13.50	CH23-51	EL296UH110XV48C	5991974
XC21-036-230	TXV	35,400	18.00	13.00	CH23-51	SL280UH070V36A	5991536
XC21-036-230	TXV	35,400	18.00	13.00	CH23-51	SL280UH070XV36A	5991851
XC21-036-230	TXV	35,200	18.00	13.50	CH23-51	SL280UH090V36B	5991537
XC21-036-230	TXV	35,200	18.00	13.50	CH23-51	SLP98UH070XV36B	5991538
XC21-036-230	TXV	35,000	18.00	13.50	CH23-51	SLP98UH090XV36C	5991539
XC21-036-230	TXV	35,400	18.00	13.50	CH23-51	SLP98UH090XV48C	5991540

### NOTES:

TXV = Matched with Thermostatic Expansion Valve.

RFC = Matched with RFC metering device.

All matches with EL195E and ML180E gas furnaces require the use of a Blower Motor Relay Kit (**85W66**) for proper unit operation.

Ratings are AHRI Certified to AHRI Standard 210/240 (with 25 ft. of connecting refrigerant lines); 95°F outdoor air temperature, 80°F db / 67°F wb entering evaporator air. All ratings include the use of a blower time delay relay (TDR). All Lennox variable-speed furnaces and Air Handlers have time delay capabilities. Other Furnaces and Air Handlers may require an optional time delay relay (**58M81**) for field installation. See furnace or air handler specifications to determine if relay is needed.

Also see Expansion Valve Kit Usage Table.

## AHRI SYSTEM MATCHES

NOTE - For the latest up-to-date system matches please visit the AHRI web site at <http://www.ahridirectory.org>

Model No.	Expansion Device	Capacity	SEER	EER	Coil or Air Handler	Furnace	AHRI Reference
XC21-036-230	TXV	36,200	18.00	13.00	CH33-31	EL180UH045E36A	5992013
XC21-036-230	TXV	34,800	18.00	13.00	CH33-36	EL296UH045XV36B	5991616
XC21-036-230	TXV	35,000	18.00	13.00	CH33-36	EL296UH070XV36B	5991631
XC21-036-230	TXV	35,600	18.00	13.50	CH33-36	EL296UH090XV36C	5991656
XC21-036-230	TXV	35,400	18.00	13.50	CH33-36	EL296UH090XV48C	5991674
XC21-036-230	TXV	34,800	18.00	13.50	CH33-36	SL280UH090V36B	5991541
XC21-036-230	TXV	35,000	18.00	13.00	CH33-36	SL280UH090V48B	5991542
XC21-036-230	TXV	35,000	18.00	13.00	CH33-36	SL280UH090XV48B	5991843
XC21-036-230	TXV	34,600	18.00	13.00	CH33-36	SLP98UH070XV36B	5991543
XC21-036-230	TXV	35,000	18.00	13.50	CH33-36	SLP98UH090XV36C	5991544
XC21-036-230	TXV	35,400	18.00	13.50	CH33-36	SLP98UH090XV48C	5991545
XC21-036-230	TXV	34,800	17.00	12.50	CH33-36A	EL180UH045E36A	5992014
XC21-036-230	TXV	35,000	18.00	13.00	CH33-36A	SL280UH070V36A	5991853
XC21-036-230	TXV	35,000	18.00	13.00	CH33-36A	SL280UH070XV36A	5991852
XC21-036-230	TXV	35,000	18.00	13.00	CH33-36B	EL180UH070E36B	5991998
XC21-036-230	TXV	34,800	18.00	13.00	CH33-36B	EL180UH090E48B	5991988
XC21-036-230	TXV	34,600	17.00	12.50	CH33-36B	EL195UH045XE36B	5991710
XC21-036-230	TXV	34,800	17.00	12.50	CH33-36B	EL195UH070XE36B	5991725
XC21-036-230	TXV	35,200	18.00	13.00	CH33-36B	EL195UH090XE48C	5991742
XC21-036-230	TXV	34,600	17.00	12.50	CH33-36B	EL296UH045XE36B	5991960
XC21-036-230	TXV	34,800	17.00	12.50	CH33-36B	EL296UH070XE36B	5991938
XC21-036-230	TXV	35,200	18.00	13.00	CH33-36B	EL296UH090XE48C	5991919
XC21-036-230	TXV	35,000	16.00	12.50	CH33-36C		5991450
XC21-036-230	TXV	35,600	18.00	13.50	CH33-36C	EL296UH110XV48C	5991692
XC21-036-230	TXV	35,600	16.00	12.50	CH33-42		5991451
XC21-036-230	TXV	36,000	18.00	13.00	CH33-42	EL180UH070E36B	5991999
XC21-036-230	TXV	35,800	18.00	13.50	CH33-42	EL180UH090E48B	5991989
XC21-036-230	TXV	35,600	17.00	12.50	CH33-42	EL195UH045XE36B	5991711
XC21-036-230	TXV	35,800	17.00	13.00	CH33-42	EL195UH070XE36B	5991726
XC21-036-230	TXV	35,600	17.00	12.50	CH33-42	EL296UH045XE36B	5991961
XC21-036-230	TXV	35,800	18.00	13.00	CH33-42	EL296UH045XV36B	5991617
XC21-036-230	TXV	35,800	17.00	13.00	CH33-42	EL296UH070XE36B	5991939
XC21-036-230	TXV	35,800	18.00	13.00	CH33-42	EL296UH070XV36B	5991632
XC21-036-230	TXV	35,800	18.00	13.50	CH33-42	SL280UH090V36B	5991546
XC21-036-230	TXV	36,000	18.00	13.50	CH33-42	SL280UH090V48B	5991547
XC21-036-230	TXV	36,000	18.00	13.50	CH33-42	SL280UH090XV48B	5991844
XC21-036-230	TXV	35,600	18.00	13.00	CH33-42	SLP98UH070XV36B	5991548
XC21-036-230	TXV	35,600	18.00	13.50	CH33-42	SLP98UH090XV36C	5991549
XC21-036-230	TXV	35,800	18.00	13.50	CH33-42	SLP98UH090XV48C	5991550
XC21-036-230	TXV	37,400	18.00	13.50	CH33-43	EL296UH045XV36B	5991618
XC21-036-230	TXV	37,400	18.00	13.50	CH33-43	EL296UH070XV36B	5991633
XC21-036-230	TXV	37,000	19.00	14.00	CH33-43	EL296UH090XV36C	5991657
XC21-036-230	TXV	36,600	19.00	14.00	CH33-43	EL296UH090XV48C	5991675
XC21-036-230	TXV	37,400	19.00	14.00	CH33-43	EL296UH090XV60C	5991811
XC21-036-230	TXV	37,200	19.00	14.00	CH33-43	EL296UH110XV60C	5991815
XC21-036-230	TXV	37,200	19.00	14.00	CH33-43	SL280UH090V36B	5991551
XC21-036-230	TXV	37,400	19.00	14.00	CH33-43	SL280UH090V48B	5991552
XC21-036-230	TXV	37,400	19.00	14.00	CH33-43	SL280UH090XV48B	5991845

### NOTES:

TXV = Matched with Thermostatic Expansion Valve.

RFC = Matched with RFC metering device.

All matches with EL195E and ML180E gas furnaces require the use of a Blower Motor Relay Kit (**85W66**) for proper unit operation.

Ratings are AHRI Certified to AHRI Standard 210/240 (with 25 ft. of connecting refrigerant lines); 95°F outdoor air temperature, 80°F db / 67°F wb entering evaporator air. All ratings include the use of a blower time delay relay (TDR). All Lennox variable-speed furnaces and Air Handlers have time delay capabilities. Other Furnaces and Air Handlers may require an optional time delay relay (**58M81**) for field installation. See furnace or air handler specifications to determine if relay is needed.

Also see Expansion Valve Kit Usage Table.

## AHRI SYSTEM MATCHES

NOTE - For the latest up-to-date system matches please visit the AHRI web site at <http://www.ahridirectory.org>

Model No.	Expansion Device	Capacity	SEER	EER	Coil or Air Handler	Furnace	AHRI Reference
XC21-036-230	TXV	37,000	19.00	13.50	CH33-43	SLP98UH070XV36B	5991553
XC21-036-230	TXV	36,400	19.00	14.00	CH33-43	SLP98UH090XV36C	5991554
XC21-036-230	TXV	36,600	19.00	14.00	CH33-43	SLP98UH090XV48C	5991555
XC21-036-230	TXV	37,400	19.20	14.00	CH33-43	SLP98UH090XV60C	5991608
XC21-036-230	TXV	37,200	19.20	14.00	CH33-43	SLP98UH110XV60C	5991609
XC21-036-230	TXV	37,000	16.00	13.00	CH33-43B		5991452
XC21-036-230	TXV	37,600	19.00	13.50	CH33-43B	EL180UH070E36B	5992000
XC21-036-230	TXV	37,400	19.00	14.00	CH33-43B	EL180UH090E48B	5991990
XC21-036-230	TXV	37,200	18.00	13.00	CH33-43B	EL195UH045XE36B	5991712
XC21-036-230	TXV	37,200	18.00	13.50	CH33-43B	EL195UH070XE36B	5991727
XC21-036-230	TXV	37,200	18.00	13.00	CH33-43B	EL296UH045XE36B	5991962
XC21-036-230	TXV	37,200	18.00	13.50	CH33-43B	EL296UH070XE36B	5991940
XC21-036-230	TXV	36,400	16.00	12.50	CH33-43C		5991453
XC21-036-230	TXV	36,400	18.00	13.50	CH33-43C	EL195UH090XE48C	5991743
XC21-036-230	TXV	36,400	18.00	13.50	CH33-43C	EL296UH090XE48C	5991920
XC21-036-230	TXV	37,000	19.00	14.00	CH33-43C	EL296UH110XV48C	5991693
XC21-036-230	TXV	36,000	16.00	12.50	CH33-44/48		5991454
XC21-036-230	TXV	36,600	18.00	13.50	CH33-44/48	EL180UH070E36B	5992001
XC21-036-230	TXV	36,400	18.00	13.50	CH33-44/48	EL180UH090E48B	5991991
XC21-036-230	TXV	36,200	18.00	13.00	CH33-44/48	EL195UH045XE36B	5991713
XC21-036-230	TXV	36,400	18.00	13.00	CH33-44/48	EL195UH070XE36B	5991728
XC21-036-230	TXV	36,200	18.00	13.00	CH33-44/48	EL296UH045XE36B	5991963
XC21-036-230	TXV	36,400	18.00	13.00	CH33-44/48	EL296UH045XV36B	5991619
XC21-036-230	TXV	36,400	18.00	13.00	CH33-44/48	EL296UH070XE36B	5991941
XC21-036-230	TXV	36,400	18.00	13.00	CH33-44/48	EL296UH070XV36B	5991634
XC21-036-230	TXV	36,200	18.00	13.50	CH33-44/48	SL280UH090V36B	5991556
XC21-036-230	TXV	36,400	18.00	13.50	CH33-44/48	SL280UH090V48B	5991557
XC21-036-230	TXV	36,400	18.00	13.50	CH33-44/48	SL280UH090XV48B	5991846
XC21-036-230	TXV	36,200	18.00	13.50	CH33-44/48	SLP98UH070XV36B	5991558
XC21-036-230	TXV	36,200	16.00	12.50	CH33-48		5991455
XC21-036-230	TXV	36,600	19.00	13.50	CH33-48	EL296UH090XV36C	5991658
XC21-036-230	TXV	36,400	19.00	14.00	CH33-48	EL296UH090XV48C	5991676
XC21-036-230	TXV	37,200	19.00	13.50	CH33-48	EL296UH090XV60C	5991812
XC21-036-230	TXV	37,000	19.00	14.00	CH33-48	EL296UH110XV60C	5991816
XC21-036-230	TXV	37,200	19.00	13.50	CH33-48	SL280UH090V60C	5991559
XC21-036-230	TXV	37,200	19.00	13.50	CH33-48	SL280UH090XV60C	5991821
XC21-036-230	TXV	37,000	19.00	13.50	CH33-48	SL280UH110V60C	5991560
XC21-036-230	TXV	37,000	19.00	13.50	CH33-48	SL280UH110XV60C	5991830
XC21-036-230	TXV	36,200	19.00	13.50	CH33-48	SLP98UH090XV36C	5991561
XC21-036-230	TXV	36,400	18.00	14.00	CH33-48	SLP98UH090XV48C	5991562
XC21-036-230	TXV	37,200	19.20	13.70	CH33-48	SLP98UH090XV60C	5991610
XC21-036-230	TXV	37,000	19.20	14.00	CH33-48	SLP98UH110XV60C	5991611
XC21-036-230	TXV	36,200	18.00	13.50	CH33-48C	EL195UH090XE48C	5991744
XC21-036-230	TXV	36,200	18.00	13.50	CH33-48C	EL296UH090XE48C	5991921
XC21-036-230	TXV	36,800	19.00	14.00	CH33-48C	EL296UH110XV48C	5991694
XC21-036-230	TXV	36,800	16.00	13.00	CH33-49		5991456
XC21-036-230	TXV	37,000	18.00	14.00	CH33-49	EL195UH090XE48C	5991745
XC21-036-230	TXV	37,000	18.00	14.00	CH33-49	EL296UH090XE48C	5991922

### NOTES:

TXV = Matched with Thermostatic Expansion Valve.

RFC = Matched with RFC metering device.

All matches with EL195E and ML180E gas furnaces require the use of a Blower Motor Relay Kit (**85W66**) for proper unit operation.

Ratings are AHRI Certified to AHRI Standard 210/240 (with 25 ft. of connecting refrigerant lines); 95°F outdoor air temperature, 80°F db / 67°F wb entering evaporator air. All ratings include the use of a blower time delay relay (TDR). All Lennox variable-speed furnaces and Air Handlers have time delay capabilities. Other Furnaces and Air Handlers may require an optional time delay relay (**58M81**) for field installation. See furnace or air handler specifications to determine if relay is needed.

Also see Expansion Valve Kit Usage Table.

## AHRI SYSTEM MATCHES

NOTE - For the latest up-to-date system matches please visit the AHRI web site at <http://www.ahridirectory.org>

Model No.	Expansion Device	Capacity	SEER	EER	Coil or Air Handler	Furnace	AHRI Reference
XC21-036-230	TXV	37,400	19.00	14.00	CH33-49	EL296UH090XV36C	5991659
XC21-036-230	TXV	37,200	19.00	14.00	CH33-49	EL296UH090XV48C	5991677
XC21-036-230	TXV	38,000	19.00	14.00	CH33-49	EL296UH090XV60C	5991813
XC21-036-230	TXV	37,400	19.00	14.00	CH33-49	EL296UH110XV48C	5991695
XC21-036-230	TXV	37,800	19.00	14.00	CH33-49	EL296UH110XV60C	5991817
XC21-036-230	TXV	38,000	19.00	13.50	CH33-49	SL280UH090V60C	5991563
XC21-036-230	TXV	38,000	19.00	13.50	CH33-49	SL280UH090XV60C	5991822
XC21-036-230	TXV	37,600	19.00	13.50	CH33-49	SL280UH110V60C	5991564
XC21-036-230	TXV	37,600	19.00	13.50	CH33-49	SL280UH110XV60C	5991831
XC21-036-230	TXV	36,800	19.00	14.00	CH33-49	SLP98UH090XV36C	5991565
XC21-036-230	TXV	37,200	19.00	14.00	CH33-49	SLP98UH090XV48C	5991566
XC21-036-230	TXV	38,000	19.50	14.00	CH33-49	SLP98UH090XV60C	5991612
XC21-036-230	TXV	37,800	19.50	14.20	CH33-49	SLP98UH110XV60C	5991613
XC21-036-230	TXV	36,600	16.00	13.00	CH33-50/60C		5991457
XC21-036-230	TXV	36,800	18.00	13.50	CH33-50/60C	EL195UH090XE48C	5991746
XC21-036-230	TXV	36,800	18.00	13.50	CH33-50/60C	EL296UH090XE48C	5991923
XC21-036-230	TXV	37,200	19.00	14.00	CH33-50/60C	EL296UH090XV36C	5991660
XC21-036-230	TXV	37,000	19.00	14.00	CH33-50/60C	EL296UH090XV48C	5991678
XC21-036-230	TXV	37,800	19.00	14.00	CH33-50/60C	EL296UH090XV60C	5991814
XC21-036-230	TXV	37,200	19.00	14.00	CH33-50/60C	EL296UH110XV48C	5991696
XC21-036-230	TXV	37,600	19.00	14.00	CH33-50/60C	EL296UH110XV60C	5991818
XC21-036-230	TXV	37,800	19.00	13.50	CH33-50/60C	SL280UH090V60C	5991567
XC21-036-230	TXV	37,800	19.00	13.50	CH33-50/60C	SL280UH090XV60C	5991823
XC21-036-230	TXV	37,400	19.00	13.50	CH33-50/60C	SL280UH110V60C	5991568
XC21-036-230	TXV	37,400	19.00	13.50	CH33-50/60C	SL280UH110XV60C	5991832
XC21-036-230	TXV	36,600	19.00	14.00	CH33-50/60C	SLP98UH090XV36C	5991569
XC21-036-230	TXV	37,000	19.00	14.00	CH33-50/60C	SLP98UH090XV48C	5991570
XC21-036-230	TXV	37,800	19.50	14.00	CH33-50/60C	SLP98UH090XV60C	5991614
XC21-036-230	TXV	37,600	19.50	14.20	CH33-50/60C	SLP98UH110XV60C	5991615
XC21-036-230	TXV	35,800	16.00	12.50	CH35-30A		7164818
XC21-036-230	TXV	36,000	18.00	13.00	CH35-30A	EL180UH045E36A	7164813
XC21-036-230	TXV	36,000	16.00	12.50	CH35-30B		7164819
XC21-036-230	TXV	35,000	17.00	13.00	CH35-36A	EL180UH045E36A	7164814
XC21-036-230	TXV	35,200	18.00	13.00	CH35-36A	SL280UH070V36A	7164816
XC21-036-230	TXV	35,200	18.00	13.00	CH35-36A	SL280UH070XV36A	7164815
XC21-036-230	TXV	35,200	18.00	13.00	CH35-36B	EL180UH070E36B	7164826
XC21-036-230	TXV	35,000	18.00	13.00	CH35-36B	EL180UH090E48B	7164827
XC21-036-230	TXV	34,800	17.00	12.50	CH35-36B	EL195UH045XE36B	7164821
XC21-036-230	TXV	34,800	17.00	12.50	CH35-36B	EL195UH070XE36B	7164823
XC21-036-230	TXV	34,800	17.00	12.50	CH35-36B	EL296UH045XE36B	7165577
XC21-036-230	TXV	34,800	17.00	12.50	CH35-36B	EL296UH045XV36B	7164822
XC21-036-230	TXV	34,800	17.00	12.50	CH35-36B	EL296UH070XE36B	7164824
XC21-036-230	TXV	35,000	18.00	13.00	CH35-36B	EL296UH070XV36B	7164825
XC21-036-230	TXV	34,800	18.00	13.00	CH35-36B	SL280UH090V36B	7164828
XC21-036-230	TXV	35,200	18.00	13.00	CH35-36B	SL280UH090V48B	7164829
XC21-036-230	TXV	35,200	18.00	13.00	CH35-36B	SL280UH090XV48B	7164830
XC21-036-230	TXV	34,800	18.00	13.00	CH35-36B	SLP98UH070XV36B	7164831
XC21-036-230	TXV	35,200	18.00	13.00	CH35-36C	EL195UH090XE48C	7164833

### NOTES:

TXV = Matched with Thermostatic Expansion Valve.

RFC = Matched with RFC metering device.

All matches with EL195E and ML180E gas furnaces require the use of a Blower Motor Relay Kit (**85W66**) for proper unit operation.

Ratings are AHRI Certified to AHRI Standard 210/240 (with 25 ft. of connecting refrigerant lines); 95°F outdoor air temperature, 80°F db / 67°F wb entering evaporator air. All ratings include the use of a blower time delay relay (TDR). All Lennox variable-speed furnaces and Air Handlers have time delay capabilities. Other Furnaces and Air Handlers may require an optional time delay relay (**58M81**) for field installation. See furnace or air handler specifications to determine if relay is needed.

Also see Expansion Valve Kit Usage Table.



## AHRI SYSTEM MATCHES

NOTE - For the latest up-to-date system matches please visit the AHRI web site at <http://www.ahridirectory.org>

Model No.	Expansion Device	Capacity	SEER	EER	Coil or Air Handler	Furnace	AHRI Reference
XC21-036-230	TXV	35,200	18.00	13.00	CH35-36C	EL296UH090XE48C	7165578
XC21-036-230	TXV	35,600	18.00	13.00	CH35-36C	EL296UH090XV36C	7164835
XC21-036-230	TXV	35,200	18.00	13.00	CH35-36C	EL296UH090XV48C	7164834
XC21-036-230	TXV	35,600	18.00	13.00	CH35-36C	EL296UH110XV48C	7164836
XC21-036-230	TXV	35,200	18.00	13.00	CH35-36C	SLP98UH090XV36C	7164837
XC21-036-230	TXV	35,400	18.00	13.00	CH35-36C	SLP98UH090XV48C	7164838
XC21-036-230	TXV	36,000	17.00	13.00	CH35-42B		7164839
XC21-036-230	TXV	36,000	19.00	13.00	CH35-42B	EL180UH070E36B	7164846
XC21-036-230	TXV	36,000	19.00	13.00	CH35-42B	EL180UH090E48B	7164847
XC21-036-230	TXV	36,000	18.00	13.00	CH35-42B	EL195UH045XE36B	7164840
XC21-036-230	TXV	36,000	18.00	13.00	CH35-42B	EL195UH070XE36B	7164842
XC21-036-230	TXV	36,000	18.00	13.00	CH35-42B	EL296UH045XE36B	7164841
XC21-036-230	TXV	36,000	18.00	13.00	CH35-42B	EL296UH045XV36B	7164844
XC21-036-230	TXV	36,000	18.00	13.00	CH35-42B	EL296UH070XE36B	7164843
XC21-036-230	TXV	36,000	18.00	13.00	CH35-42B	EL296UH070XV36B	7164845
XC21-036-230	TXV	36,000	19.00	14.00	CH35-42B	SL280UH090V36B	7164848
XC21-036-230	TXV	36,000	19.00	13.00	CH35-42B	SL280UH090V48B	7164849
XC21-036-230	TXV	36,000	19.00	13.00	CH35-42B	SL280UH090XV48B	7164850
XC21-036-230	TXV	36,000	19.00	13.00	CH35-42B	SLP98UH070XV36B	7164851
XC21-036-230	TXV	36,000	16.00	12.50	CH35-42C		7164852
XC21-036-230	TXV	36,000	18.00	13.00	CH35-42C	EL195UH090XE48C	7164853
XC21-036-230	TXV	36,000	18.00	13.00	CH35-42C	EL296UH090XE48C	7164854
XC21-036-230	TXV	36,000	19.00	13.00	CH35-42C	EL296UH090XV36C	7164855
XC21-036-230	TXV	36,000	19.00	13.00	CH35-42C	EL296UH090XV48C	7164856
XC21-036-230	TXV	36,000	19.00	13.00	CH35-42C	EL296UH090XV60C	7164857
XC21-036-230	TXV	36,000	19.00	14.00	CH35-42C	EL296UH110XV48C	7164858
XC21-036-230	TXV	36,000	19.00	14.00	CH35-42C	EL296UH110XV60C	7164859
XC21-036-230	TXV	36,000	19.00	13.00	CH35-42C	SLP98UH090XV36C	7164860
XC21-036-230	TXV	36,000	19.00	13.00	CH35-42C	SLP98UH090XV48C	7164861
XC21-036-230	TXV	36,000	19.00	13.00	CH35-42C	SLP98UH090XV60C	7164862
XC21-036-230	TXV	36,000	19.00	14.00	CH35-42C	SLP98UH110XV60C	7164863
XC21-036-230	TXV	36,000	16.00	12.50	CH35-48B		7164864
XC21-036-230	TXV	36,000	18.00	13.00	CH35-48B	EL180UH070E36B	7164871
XC21-036-230	TXV	36,000	18.00	13.00	CH35-48B	EL180UH090E48B	7164872
XC21-036-230	TXV	36,000	18.00	13.00	CH35-48B	EL195UH045XE36B	7164865
XC21-036-230	TXV	36,000	18.00	13.00	CH35-48B	EL195UH070XE36B	7164867
XC21-036-230	TXV	36,000	18.00	13.00	CH35-48B	EL296UH045XE36B	7164866
XC21-036-230	TXV	36,000	18.00	13.00	CH35-48B	EL296UH045XV36B	7164869
XC21-036-230	TXV	36,000	18.00	13.00	CH35-48B	EL296UH070XE36B	7164868
XC21-036-230	TXV	36,000	18.00	13.00	CH35-48B	EL296UH070XV36B	7164870
XC21-036-230	TXV	36,000	18.00	13.00	CH35-48B	SL280UH090V36B	7164873
XC21-036-230	TXV	36,000	18.00	13.00	CH35-48B	SL280UH090V48B	7164874
XC21-036-230	TXV	36,000	18.00	13.00	CH35-48B	SL280UH090XV48B	7164875
XC21-036-230	TXV	36,000	18.00	13.00	CH35-48B	SLP98UH070XV36B	7164876
XC21-036-230	TXV	36,000	16.00	12.50	CH35-48C		7164877
XC21-036-230	TXV	36,000	18.00	13.00	CH35-48C	EL195UH090XE48C	7164878
XC21-036-230	TXV	36,000	18.00	13.00	CH35-48C	EL296UH090XE48C	7164879
XC21-036-230	TXV	36,000	19.00	13.00	CH35-48C	EL296UH090XV36C	7164880

### NOTES:

TXV = Matched with Thermostatic Expansion Valve.

RFC = Matched with RFC metering device.

All matches with EL195E and ML180E gas furnaces require the use of a Blower Motor Relay Kit (**85W66**) for proper unit operation.

Ratings are AHRI Certified to AHRI Standard 210/240 (with 25 ft. of connecting refrigerant lines); 95°F outdoor air temperature, 80°F db / 67°F wb entering evaporator air. All ratings include the use of a blower time delay relay (TDR). All Lennox variable-speed furnaces and Air Handlers have time delay capabilities. Other Furnaces and Air Handlers may require an optional time delay relay (**58M81**) for field installation. See furnace or air handler specifications to determine if relay is needed.

Also see Expansion Valve Kit Usage Table.

## AHRI SYSTEM MATCHES

NOTE - For the latest up-to-date system matches please visit the AHRI web site at <http://www.ahridirectory.org>

Model No.	Expansion Device	Capacity	SEER	EER	Coil or Air Handler	Furnace	AHRI Reference
XC21-036-230	TXV	36,000	19.00	13.00	CH35-48C	EL296UH090XV48C	7164881
XC21-036-230	TXV	36,000	19.00	13.00	CH35-48C	EL296UH090XV60C	7164882
XC21-036-230	TXV	36,000	19.00	13.00	CH35-48C	EL296UH110XV48C	7164883
XC21-036-230	TXV	36,000	19.00	13.00	CH35-48C	EL296UH110XV60C	7164884
XC21-036-230	TXV	36,000	19.00	14.00	CH35-48C	SL280UH090V60C	7164885
XC21-036-230	TXV	36,000	19.00	14.00	CH35-48C	SL280UH090XV60C	7164886
XC21-036-230	TXV	36,000	19.00	13.00	CH35-48C	SL280UH110V60C	7164887
XC21-036-230	TXV	36,000	19.00	13.00	CH35-48C	SL280UH110XV60C	7164888
XC21-036-230	TXV	36,000	19.00	13.00	CH35-48C	SLP98UH090XV36C	7164889
XC21-036-230	TXV	36,000	18.00	13.00	CH35-48C	SLP98UH090XV48C	7164890
XC21-036-230	TXV	36,000	19.00	13.00	CH35-48C	SLP98UH090XV60C	7164891
XC21-036-230	TXV	36,000	19.00	13.00	CH35-48C	SLP98UH110XV60C	7164892
XC21-036-230	TXV	36,000	16.00	13.00	CH35-51C		7164893
XC21-036-230	TXV	36,000	18.00	13.00	CH35-51C	EL195UH090XE48C	7164894
XC21-036-230	TXV	36,000	18.00	13.00	CH35-51C	EL296UH090XE48C	7164895
XC21-036-230	TXV	36,000	19.00	14.00	CH35-51C	EL296UH090XV36C	7164896
XC21-036-230	TXV	36,000	19.00	14.00	CH35-51C	EL296UH090XV48C	7164897
XC21-036-230	TXV	36,000	19.00	14.00	CH35-51C	EL296UH090XV60C	7164898
XC21-036-230	TXV	36,000	19.00	14.00	CH35-51C	EL296UH110XV48C	7164899
XC21-036-230	TXV	36,000	19.00	14.00	CH35-51C	EL296UH110XV60C	7164900
XC21-036-230	TXV	36,000	19.00	14.00	CH35-51C	SL280UH090V60C	7164901
XC21-036-230	TXV	36,000	19.00	14.00	CH35-51C	SL280UH090XV60C	7164902
XC21-036-230	TXV	36,000	19.00	14.00	CH35-51C	SL280UH110V60C	7164903
XC21-036-230	TXV	36,000	19.00	14.00	CH35-51C	SL280UH110XV60C	7164904
XC21-036-230	TXV	36,000	19.00	13.00	CH35-51C	SLP98UH090XV36C	7164905
XC21-036-230	TXV	36,000	19.00	14.00	CH35-51C	SLP98UH090XV48C	7165579
XC21-036-230	TXV	36,000	19.00	14.00	CH35-51C	SLP98UH090XV60C	7164906
XC21-036-230	TXV	36,000	19.00	14.00	CH35-51C	SLP98UH110XV60C	7164907
XC21-036-230	TXV	35,200	16.00	12.50	CR33-30/36		5991443
XC21-036-230	TXV	35,200	18.00	13.50	CR33-30/36	EL180DF070E36B	5992007
XC21-036-230	TXV	35,400	17.00	12.50	CR33-30/36	EL195DF045XE36B	5991788
XC21-036-230	TXV	35,200	18.00	13.00	CR33-30/36	EL195DF070XE48B	5991791
XC21-036-230	TXV	35,400	18.00	13.00	CR33-30/36	EL195DF090XE48C	5991911
XC21-036-230	TXV	35,400	17.00	12.50	CR33-30/36	EL296DF045XE36B	5991927
XC21-036-230	TXV	35,400	18.00	13.00	CR33-30/36	EL296DF045XV36B	5991792
XC21-036-230	TXV	35,200	18.00	13.00	CR33-30/36	EL296DF070XE48B	5991930
XC21-036-230	TXV	35,400	17.00	12.50	CR33-30/36	EL296DF070XV48B	5991794
XC21-036-230	TXV	35,400	18.00	13.00	CR33-30/36	EL296DF090XE48C	5991931
XC21-036-230	TXV	35,400	18.00	13.00	CR33-30/36	SL280DF090V48B	5991519
XC21-036-230	TXV	35,200	18.00	13.00	CR33-30/36	SLP98DF070XV36B	5991520
XC21-036-230	TXV	35,200	18.00	13.00	CR33-30/36	SLP98DF090XV36C	5991521
XC21-036-230	TXV	35,200	18.00	13.50	CR33-30/36	SLP98DF090XV48C	5991522
XC21-036-230	TXV	35,600	16.00	12.50	CR33-48		5991444
XC21-036-230	TXV	35,600	18.00	13.50	CR33-48	EL180DF070E36B	5992008
XC21-036-230	TXV	35,800	17.00	12.50	CR33-48	EL195DF045XE36B	5991789
XC21-036-230	TXV	35,800	18.00	13.50	CR33-48	EL195DF070XE48B	5991790
XC21-036-230	TXV	35,800	18.00	13.50	CR33-48	EL195DF090XE48C	5991912
XC21-036-230	TXV	35,800	17.00	12.50	CR33-48	EL296DF045XE36B	5991928

### NOTES:

TXV = Matched with Thermostatic Expansion Valve.

RFC = Matched with RFC metering device.

All matches with EL195E and ML180E gas furnaces require the use of a Blower Motor Relay Kit (**85W66**) for proper unit operation.

Ratings are AHRI Certified to AHRI Standard 210/240 (with 25 ft. of connecting refrigerant lines); 95°F outdoor air temperature, 80°F db / 67°F wb entering evaporator air. All ratings include the use of a blower time delay relay (TDR). All Lennox variable-speed furnaces and Air Handlers have time delay capabilities. Other Furnaces and Air Handlers may require an optional time delay relay (**58M81**) for field installation. See furnace or air handler specifications to determine if relay is needed.

Also see Expansion Valve Kit Usage Table.

## AHRI SYSTEM MATCHES

NOTE - For the latest up-to-date system matches please visit the AHRI web site at <http://www.ahridirectory.org>

Model No.	Expansion Device	Capacity	SEER	EER	Coil or Air Handler	Furnace	AHRI Reference
XC21-036-230	TXV	36,000	18.00	13.00	CR33-48	EL296DF045XV36B	5991793
XC21-036-230	TXV	35,800	18.00	13.50	CR33-48	EL296DF070XE48B	5991929
XC21-036-230	TXV	36,000	18.00	13.00	CR33-48	EL296DF070XV48B	5991795
XC21-036-230	TXV	35,800	18.00	13.50	CR33-48	EL296DF090XE48C	5991932
XC21-036-230	TXV	35,800	18.00	13.50	CR33-48	SL280DF090V48B	5991523
XC21-036-230	TXV	36,600	19.00	14.00	CR33-48	SL280DF090V60C	5991868
XC21-036-230	TXV	35,800	18.00	13.50	CR33-48	SLP98DF070XV36B	5991524
XC21-036-230	TXV	35,800	18.00	13.50	CR33-48	SLP98DF090XV36C	5991525
XC21-036-230	TXV	36,200	19.00	13.50	CR33-48	SLP98DF090XV48C	5991526
XC21-036-230	TXV	35,600	16.00	12.50	CR33-50/60		5991445
XC21-036-230	TXV	36,000	18.00	13.50	CR33-50/60	EL195DF090XE48C	5991913
XC21-036-230	TXV	36,000	18.00	13.50	CR33-50/60	EL296DF090XE48C	5991933
XC21-036-230	TXV	35,800	18.00	13.50	CR33-50/60	SLP98DF090XV36C	5991527
XC21-036-230	TXV	35,000	18.00	13.00	CX34-36	CBWMV-36B-070	5991588
XC21-036-230	TXV	35,000	18.00	13.00	CX34-36	CBWMV-36C-090	5991590
XC21-036-230	TXV	35,000	17.00	13.00	CX34-36	EL180UH045E36A	5992010
XC21-036-230	TXV	36,600	18.00	13.50	CX34-36	EL180UH070E36B	5991981
XC21-036-230	TXV	36,400	18.00	13.50	CX34-36	EL180UH090E48B	5991976
XC21-036-230	TXV	36,200	18.00	13.00	CX34-36	EL195UH045XE36B	5991703
XC21-036-230	TXV	36,400	18.00	13.00	CX34-36	EL195UH070XE36B	5991718
XC21-036-230	TXV	34,800	17.00	13.00	CX34-36	EL195UH090XE48C	5991733
XC21-036-230	TXV	36,200	18.00	13.00	CX34-36	EL296UH045XE36B	5991953
XC21-036-230	TXV	35,000	18.00	13.00	CX34-36	EL296UH045XV36B	5991620
XC21-036-230	TXV	36,400	18.00	13.00	CX34-36	EL296UH070XE36B	5991968
XC21-036-230	TXV	35,000	18.00	13.00	CX34-36	EL296UH070XV36B	5991639
XC21-036-230	TXV	34,800	17.00	13.00	CX34-36	EL296UH090XE48C	5991946
XC21-036-230	TXV	35,000	18.00	13.00	CX34-36	EL296UH090XV36C	5991647
XC21-036-230	TXV	35,000	18.00	13.50	CX34-36	EL296UH090XV48C	5991665
XC21-036-230	TXV	35,600	18.00	13.00	CX34-36	EL296UH090XV60C	5991798
XC21-036-230	TXV	35,200	18.00	13.50	CX34-36	EL296UH110XV48C	5991683
XC21-036-230	TXV	34,800	18.00	13.50	CX34-36	SL280UH090V36B	5991459
XC21-036-230	TXV	35,000	18.00	13.50	CX34-36	SL280UH090V48B	5991461
XC21-036-230	TXV	35,000	18.00	13.50	CX34-36	SL280UH090XV48B	5991833
XC21-036-230	TXV	34,600	18.00	13.00	CX34-36	SLP98UH070XV36B	5991463
XC21-036-230	TXV	35,000	18.00	13.00	CX34-36	SLP98UH090XV36C	5991465
XC21-036-230	TXV	35,000	18.00	13.50	CX34-36	SLP98UH090XV48C	5991467
XC21-036-230	TXV	35,600	18.50	13.20	CX34-36	SLP98UH090XV60C	5991596
XC21-036-230	TXV	35,400	18.50	13.50	CX34-36	SLP98UH110XV60C	5991598
XC21-036-230	TXV	36,000	16.00	12.50	CX34-38		5991429
XC21-036-230	TXV	36,400	18.00	13.50	CX34-38	CBWMV-36B-070	5991592
XC21-036-230	TXV	36,600	18.00	13.50	CX34-38	EL180UH045E36A	5992011
XC21-036-230	TXV	36,600	18.00	13.50	CX34-38	EL180UH070E36B	5991983
XC21-036-230	TXV	36,400	18.00	13.50	CX34-38	EL180UH090E48B	5991978
XC21-036-230	TXV	36,200	18.00	13.00	CX34-38	EL195UH045XE36B	5991705
XC21-036-230	TXV	36,400	18.00	13.00	CX34-38	EL195UH070XE36B	5991720
XC21-036-230	TXV	36,200	18.00	13.00	CX34-38	EL296UH045XE36B	5991955
XC21-036-230	TXV	36,400	18.00	13.50	CX34-38	EL296UH045XV36B	5991622
XC21-036-230	TXV	36,400	18.00	13.00	CX34-38	EL296UH070XE36B	5991970

### NOTES:

TXV = Matched with Thermostatic Expansion Valve.

RFC = Matched with RFC metering device.

All matches with EL195E and ML180E gas furnaces require the use of a Blower Motor Relay Kit (**85W66**) for proper unit operation.

Ratings are AHRI Certified to AHRI Standard 210/240 (with 25 ft. of connecting refrigerant lines); 95°F outdoor air temperature, 80°F db / 67°F wb entering evaporator air. All ratings include the use of a blower time delay relay (TDR). All Lennox variable-speed furnaces and Air Handlers have time delay capabilities. Other Furnaces and Air Handlers may require an optional time delay relay (**58M81**) for field installation. See furnace or air handler specifications to determine if relay is needed.

Also see Expansion Valve Kit Usage Table.

## AHRI SYSTEM MATCHES

NOTE - For the latest up-to-date system matches please visit the AHRI web site at <http://www.ahridirectory.org>

Model No.	Expansion Device	Capacity	SEER	EER	Coil or Air Handler	Furnace	AHRI Reference
XC21-036-230	TXV	36,400	18.00	13.50	CX34-38	EL296UH070XV36B	5991641
XC21-036-230	TXV	36,600	18.00	13.50	CX34-38	SL280UH070V36A	5991469
XC21-036-230	TXV	36,600	18.00	13.50	CX34-38	SL280UH070XV36A	5991847
XC21-036-230	TXV	36,200	19.00	14.00	CX34-38	SL280UH090V36B	5991471
XC21-036-230	TXV	36,600	18.00	14.00	CX34-38	SL280UH090V48B	5991473
XC21-036-230	TXV	36,600	18.00	14.00	CX34-38	SL280UH090XV48B	5991835
XC21-036-230	TXV	36,600	19.00	13.50	CX34-38	SLO185B124/141V60	7110024
XC21-036-230	TXV	36,600	19.00	13.50	CX34-38	SLO185UF124/141V60	7110007
XC21-036-230	TXV	36,000	18.00	13.50	CX34-38	SLP98UH070XV36B	5991475
XC21-036-230	TXV	35,000	18.00	13.00	CX34-42	CBWMV-36B-070	5991594
XC21-036-230	TXV	35,000	18.00	13.00	CX34-42	EL180UH070E36B	5992006
XC21-036-230	TXV	34,800	17.00	12.50	CX34-42	EL195UH045XE36B	5991861
XC21-036-230	TXV	34,800	17.00	12.50	CX34-42	EL195UH070XE36B	5991863
XC21-036-230	TXV	34,800	17.00	12.50	CX34-42	EL296UH045XE36B	5991935
XC21-036-230	TXV	34,800	17.00	12.50	CX34-42	EL296UH070XE36B	5991937
XC21-036-230	TXV	35,000	18.00	13.00	CX34-42	EL296UH070XV36B	5991855
XC21-036-230	TXV	34,800	18.00	13.50	CX34-42	SL280UH090V36B	5991477
XC21-036-230	TXV	35,000	18.00	13.50	CX34-42	SL280UH090V48B	5991479
XC21-036-230	TXV	35,000	18.00	13.50	CX34-42	SL280UH090XV48B	5991837
XC21-036-230	TXV	34,600	18.00	13.00	CX34-42	SLP98UH070XV36B	5991481
XC21-036-230	TXV	36,200	16.00	12.50	CX34-43		5991433
XC21-036-230	TXV	36,800	18.00	13.50	CX34-43	CBWMV-36C-090	5991869
XC21-036-230	TXV	36,800	18.00	13.50	CX34-43	EL180UH070E36B	5991995
XC21-036-230	TXV	36,600	18.00	13.50	CX34-43	EL180UH090E48B	5991985
XC21-036-230	TXV	36,400	18.00	13.00	CX34-43	EL195UH045XE36B	5991707
XC21-036-230	TXV	36,600	18.00	13.00	CX34-43	EL195UH070XE36B	5991722
XC21-036-230	TXV	36,400	18.00	13.50	CX34-43	EL195UH090XE48C	5991735
XC21-036-230	TXV	36,400	18.00	13.00	CX34-43	EL296UH045XE36B	5991957
XC21-036-230	TXV	36,600	18.00	13.50	CX34-43	EL296UH045XV36B	5991624
XC21-036-230	TXV	36,600	18.00	13.00	CX34-43	EL296UH070XE36B	5991972
XC21-036-230	TXV	36,600	18.00	13.50	CX34-43	EL296UH070XV36B	5991643
XC21-036-230	TXV	36,400	18.00	13.50	CX34-43	EL296UH090XE48C	5991948
XC21-036-230	TXV	36,800	18.00	14.00	CX34-43	EL296UH090XV36C	5991649
XC21-036-230	TXV	36,600	19.00	14.00	CX34-43	EL296UH090XV48C	5991667
XC21-036-230	TXV	37,400	19.00	14.00	CX34-43	EL296UH090XV60C	5991800
XC21-036-230	TXV	36,800	19.00	14.00	CX34-43	EL296UH110XV48C	5991685
XC21-036-230	TXV	37,200	19.00	14.00	CX34-43	EL296UH110XV60C	5991802
XC21-036-230	TXV	36,400	18.00	14.00	CX34-43	SL280UH090V36B	5991483
XC21-036-230	TXV	36,800	18.00	14.00	CX34-43	SL280UH090V48B	5991485
XC21-036-230	TXV	37,400	19.00	14.00	CX34-43	SL280UH090V60C	5991489
XC21-036-230	TXV	36,800	18.00	14.00	CX34-43	SL280UH090XV48B	5991839
XC21-036-230	TXV	37,400	19.00	14.00	CX34-43	SL280UH090XV60C	5991819
XC21-036-230	TXV	37,000	18.00	13.50	CX34-43	SL280UH110V60C	5991491
XC21-036-230	TXV	37,000	18.00	13.50	CX34-43	SL280UH110XV60C	5991826
XC21-036-230	TXV	36,800	19.00	14.00	CX34-43	SLO185B124/141V60	7110025
XC21-036-230	TXV	36,800	18.00	13.50	CX34-43	SLO185UF124/141V60	7110008
XC21-036-230	TXV	36,400	18.00	13.50	CX34-43	SLP98UH070XV36B	5991487
XC21-036-230	TXV	36,200	18.00	13.50	CX34-43	SLP98UH090XV36C	5991493
XC21-036-230	TXV	36,600	18.00	14.00	CX34-43	SLP98UH090XV48C	5991495

### NOTES:

TXV = Matched with Thermostatic Expansion Valve.

RFC = Matched with RFC metering device.

All matches with EL195E and ML180E gas furnaces require the use of a Blower Motor Relay Kit (**85W66**) for proper unit operation.

Ratings are AHRI Certified to AHRI Standard 210/240 (with 25 ft. of connecting refrigerant lines); 95°F outdoor air temperature, 80°F db / 67°F wb entering evaporator air. All ratings include the use of a blower time delay relay (TDR). All Lennox variable-speed furnaces and Air Handlers have time delay capabilities. Other Furnaces and Air Handlers may require an optional time delay relay (**58M81**) for field installation. See furnace or air handler specifications to determine if relay is needed.

Also see Expansion Valve Kit Usage Table.



## AHRI SYSTEM MATCHES

NOTE - For the latest up-to-date system matches please visit the AHRI web site at <http://www.ahridirectory.org>

Model No.	Expansion Device	Capacity	SEER	EER	Coil or Air Handler	Furnace	AHRI Reference
XC21-036-230	TXV	37,400	19.20	14.00	CX34-43	SLP98UH090XV60C	5991600
XC21-036-230	TXV	37,200	19.20	14.00	CX34-43	SLP98UH110XV60C	5991602
XC21-036-230	TXV	35,600	16.00	12.50	CX34-44/48		5991435
XC21-036-230	TXV	36,200	18.00	13.00	CX34-44/48	EL180UH070E36B	5991997
XC21-036-230	TXV	36,000	18.00	13.50	CX34-44/48	EL180UH090E48B	5991987
XC21-036-230	TXV	35,800	17.00	12.50	CX34-44/48	EL195UH045XE36B	5991709
XC21-036-230	TXV	36,000	18.00	13.00	CX34-44/48	EL195UH070XE36B	5991724
XC21-036-230	TXV	35,800	18.00	13.50	CX34-44/48	EL195UH090XE48C	5991737
XC21-036-230	TXV	35,800	17.00	12.50	CX34-44/48	EL296UH045XE36B	5991959
XC21-036-230	TXV	36,000	18.00	13.00	CX34-44/48	EL296UH045XV36B	5991626
XC21-036-230	TXV	36,000	18.00	13.00	CX34-44/48	EL296UH070XE36B	5991915
XC21-036-230	TXV	36,000	18.00	13.00	CX34-44/48	EL296UH070XV36B	5991645
XC21-036-230	TXV	35,800	18.00	13.50	CX34-44/48	EL296UH090XE48C	5991950
XC21-036-230	TXV	36,200	18.00	13.50	CX34-44/48	EL296UH090XV36C	5991651
XC21-036-230	TXV	36,000	18.00	13.50	CX34-44/48	EL296UH090XV48C	5991669
XC21-036-230	TXV	36,800	19.00	13.50	CX34-44/48	EL296UH090XV60C	5991804
XC21-036-230	TXV	36,200	19.00	13.50	CX34-44/48	EL296UH110XV48C	5991687
XC21-036-230	TXV	36,600	19.00	13.50	CX34-44/48	EL296UH110XV60C	5991806
XC21-036-230	TXV	35,800	18.00	13.50	CX34-44/48	SL280UH090V36B	5991497
XC21-036-230	TXV	36,200	18.00	13.50	CX34-44/48	SL280UH090V48B	5991499
XC21-036-230	TXV	36,200	18.00	13.50	CX34-44/48	SL280UH090XV48B	5991841
XC21-036-230	TXV	36,200	18.00	13.50	CX34-44/48	SLO185B124/141V60	7110026
XC21-036-230	TXV	36,200	18.00	13.00	CX34-44/48	SLO185UF124/141V60	7110009
XC21-036-230	TXV	35,800	18.00	13.50	CX34-44/48	SLP98UH070XV36B	5991501
XC21-036-230	TXV	35,600	18.00	13.50	CX34-44/48	SLP98UH090XV36C	5991503
XC21-036-230	TXV	36,000	18.00	13.50	CX34-44/48	SLP98UH090XV48C	5991505
XC21-036-230	TXV	36,800	19.00	13.70	CX34-44/48	SLP98UH090XV60C	5991604
XC21-036-230	TXV	36,600	19.00	13.70	CX34-44/48	SLP98UH110XV60C	5991606
XC21-036-230	TXV	36,400	16.00	12.50	CX34-49		5991437
XC21-036-230	TXV	36,600	18.00	13.50	CX34-49	EL195UH090XE48C	5991739
XC21-036-230	TXV	36,600	18.00	13.50	CX34-49	EL296UH090XE48C	5991916
XC21-036-230	TXV	37,000	18.00	14.00	CX34-49	EL296UH090XV36C	5991655
XC21-036-230	TXV	36,800	19.00	14.00	CX34-49	EL296UH090XV48C	5991671
XC21-036-230	TXV	37,600	19.00	14.00	CX34-49	EL296UH090XV60C	5991808
XC21-036-230	TXV	37,000	19.00	14.00	CX34-49	EL296UH110XV48C	5991689
XC21-036-230	TXV	37,000	19.20	14.00	CX34-49	SL280UH090V60C	5991458
XC21-036-230	TXV	37,000	19.00	14.00	CX34-49	SL280UH090XV60C	5991825
XC21-036-230	TXV	37,400	18.00	13.50	CX34-49	SL280UH110V60C	5991507
XC21-036-230	TXV	37,400	18.00	13.50	CX34-49	SL280UH110XV60C	5991828
XC21-036-230	TXV	37,000	19.00	14.00	CX34-49	SLO185B124/141V60	7110027
XC21-036-230	TXV	36,800	18.00	13.00	CX34-49	SLO185B79/105V42	7109996
XC21-036-230	TXV	37,000	18.00	13.50	CX34-49	SLO185UF124/141V60	7110010
XC21-036-230	TXV	36,600	18.00	13.00	CX34-49	SLO185UF79/105V42	7109991
XC21-036-230	TXV	36,400	18.00	14.00	CX34-49	SLP98UH090XV36C	5991509
XC21-036-230	TXV	36,800	18.00	14.00	CX34-49	SLP98UH090XV48C	5991511
XC21-036-230	TXV	37,600	19.00	14.00	CX34-49	SLP98UH090XV60C	5991856
XC21-036-230	TXV	36,000	16.00	12.50	CX34-50/60C		5991439
XC21-036-230	TXV	36,200	18.00	13.50	CX34-50/60C	EL195UH090XE48C	5991741

### NOTES:

TXV = Matched with Thermostatic Expansion Valve.

RFC = Matched with RFC metering device.

All matches with EL195E and ML180E gas furnaces require the use of a Blower Motor Relay Kit (**85W66**) for proper unit operation.

Ratings are AHRI Certified to AHRI Standard 210/240 (with 25 ft. of connecting refrigerant lines); 95°F outdoor air temperature, 80°F db / 67°F wb entering evaporator air. All ratings include the use of a blower time delay relay (TDR). All Lennox variable-speed furnaces and Air Handlers have time delay capabilities. Other Furnaces and Air Handlers may require an optional time delay relay (**58M81**) for field installation. See furnace or air handler specifications to determine if relay is needed.

Also see Expansion Valve Kit Usage Table.

## AHRI SYSTEM MATCHES

NOTE - For the latest up-to-date system matches please visit the AHRI web site at <http://www.ahridirectory.org>

Model No.	Expansion Device	Capacity	SEER	EER	Coil or Air Handler	Furnace	AHRI Reference
XC21-036-230	TXV	36,200	18.00	13.50	CX34-50/60C	EL296UH090XE48C	5991918
XC21-036-230	TXV	36,600	18.00	13.50	CX34-50/60C	EL296UH090XV36C	5991653
XC21-036-230	TXV	36,400	19.00	14.00	CX34-50/60C	EL296UH090XV48C	5991673
XC21-036-230	TXV	37,200	19.00	13.50	CX34-50/60C	EL296UH090XV60C	5991810
XC21-036-230	TXV	36,600	19.00	14.00	CX34-50/60C	EL296UH110XV48C	5991691
XC21-036-230	TXV	36,600	19.00	13.50	CX34-50/60C	SLO185B124/141V60	7110028
XC21-036-230	TXV	36,600	18.00	13.50	CX34-50/60C	SLO185UF124/141V60	7110011
XC21-036-230	TXV	36,000	18.00	13.50	CX34-50/60C	SLP98UH090XV36C	5991513
XC21-036-230	TXV	36,400	18.00	14.00	CX34-50/60C	SLP98UH090XV48C	5991515
XC21-036-230	TXV	37,200	19.00	13.70	CX34-50/60C	SLP98UH090XV60C	5991858
XC21-036-230	TXV	36,600	16.00	13.00	CX34-60D		5991441
XC21-036-230	TXV	37,200	19.00	14.00	CX34-60D	SL280UH135V60D	5991517
XC21-036-230	TXV	37,200	19.00	14.00	CX34-60D	SLO185B124/141V60	7110030
XC21-036-230	TXV	37,200	19.00	13.50	CX34-60D	SLO185UF124/141V60	7110013
XC21-036-230	TXV	36,800	18.00	13.00	CX34-60D	SLO185UF79/105V42	7109993
XC21-036-230	TXV	38,000	19.00	14.00	CX34-62C	SLO185B124/141V60	7110029
XC21-036-230	TXV	38,000	19.00	13.50	CX34-62C	SLO185UF124/141V60	7110012
XC21-036-230	TXV	37,400	19.00	14.00	CX34-62D	SLO185B124/141V60	7110031
XC21-036-230	TXV	37,400	19.00	13.50	CX34-62D	SLO185UF124/141V60	7110014
XC21-036-230	TXV	34,000	16.00	12.20	CX35-30/36A		8249747
XC21-036-230	TXV	35,000	17.00	13.00	CX35-30/36A	EL180UH045E36A	8249746
XC21-036-230	TXV	34,000	16.00	12.20	CX35-30/36B		8249761
XC21-036-230	TXV	35,000	18.00	13.00	CX35-30/36B	CBWMV-36B-070	8249748
XC21-036-230	TXV	35,000	18.00	13.00	CX35-30/36B	EL180UH070E36B	8249749
XC21-036-230	TXV	35,000	18.00	13.00	CX35-30/36B	EL180UH090E48B	8249750
XC21-036-230	TXV	34,800	17.00	12.50	CX35-30/36B	EL195UH045XE36B	8249751
XC21-036-230	TXV	34,800	17.00	12.50	CX35-30/36B	EL195UH070XE36B	8249752
XC21-036-230	TXV	34,800	17.00	12.50	CX35-30/36B	EL296UH045XE36B	8249754
XC21-036-230	TXV	35,000	18.00	13.00	CX35-30/36B	EL296UH045XV36B	8249753
XC21-036-230	TXV	34,800	17.00	12.50	CX35-30/36B	EL296UH070XE36B	8249756
XC21-036-230	TXV	35,000	18.00	13.00	CX35-30/36B	EL296UH070XV36B	8249755
XC21-036-230	TXV	34,800	18.00	13.00	CX35-30/36B	SL280UH090V36B	8249757
XC21-036-230	TXV	35,000	18.00	13.00	CX35-30/36B	SL280UH090V48B	8249758
XC21-036-230	TXV	35,000	18.00	13.00	CX35-30/36B	SL280UH090XV48B	8249759
XC21-036-230	TXV	34,600	18.00	13.00	CX35-30/36B	SLP98UH070XV36B	8249760
XC21-036-230	TXV	34,000	16.00	12.20	CX35-30/36C		8249774
XC21-036-230	TXV	35,000	18.00	13.00	CX35-30/36C	CBWMV-36C-090	8249762
XC21-036-230	TXV	34,800	17.00	13.00	CX35-30/36C	EL195UH090XE48C	8249763
XC21-036-230	TXV	34,800	17.00	13.00	CX35-30/36C	EL296UH090XE48C	8249766
XC21-036-230	TXV	35,000	18.00	13.00	CX35-30/36C	EL296UH090XV36C	8249764
XC21-036-230	TXV	35,000	18.00	13.00	CX35-30/36C	EL296UH090XV48C	8249765
XC21-036-230	TXV	35,600	18.00	13.00	CX35-30/36C	EL296UH090XV60C	8249767
XC21-036-230	TXV	35,200	18.00	13.00	CX35-30/36C	EL296UH110XV48C	8249768
XC21-036-230	TXV	35,000	18.00	13.00	CX35-30/36C	EL296UH110XV60C	8249769
XC21-036-230	TXV	35,000	18.00	13.00	CX35-30/36C	SLP98UH090XV36C	8249770
XC21-036-230	TXV	35,000	18.00	13.00	CX35-30/36C	SLP98UH090XV48C	8249771
XC21-036-230	TXV	35,600	18.00	13.00	CX35-30/36C	SLP98UH090XV60C	8249772
XC21-036-230	TXV	35,400	18.00	13.50	CX35-30/36C	SLP98UH110XV60C	8249773

### NOTES:

TXV = Matched with Thermostatic Expansion Valve.

RFC = Matched with RFC metering device.

All matches with EL195E and ML180E gas furnaces require the use of a Blower Motor Relay Kit (**85W66**) for proper unit operation.

Ratings are AHRI Certified to AHRI Standard 210/240 (with 25 ft. of connecting refrigerant lines); 95°F outdoor air temperature, 80°F db / 67°F wb entering evaporator air. All ratings include the use of a blower time delay relay (TDR). All Lennox variable-speed furnaces and Air Handlers have time delay capabilities. Other Furnaces and Air Handlers may require an optional time delay relay (**58M81**) for field installation. See furnace or air handler specifications to determine if relay is needed.

Also see Expansion Valve Kit Usage Table.

## AHRI SYSTEM MATCHES

NOTE - For the latest up-to-date system matches please visit the AHRI web site at <http://www.ahridirectory.org>

Model No.	Expansion Device	Capacity	SEER	EER	Coil or Air Handler	Furnace	AHRI Reference
XC21-036-230	TXV	36,000	16.00	12.50	CX35-36A		8249778
XC21-036-230	TXV	36,000	18.00	13.50	CX35-36A	EL180UH045E36A	8249775
XC21-036-230	TXV	36,000	18.00	13.00	CX35-36A	SL280UH070V36A	8249776
XC21-036-230	TXV	36,000	18.00	13.00	CX35-36A	SL280UH070XV36A	8249777
XC21-036-230	TXV	36,000	16.00	12.50	CX35-36B		8249794
XC21-036-230	TXV	36,000	18.00	13.50	CX35-36B	CBWMV-36B-070	8249779
XC21-036-230	TXV	36,000	18.00	13.50	CX35-36B	EL180UH070E36B	8249780
XC21-036-230	TXV	36,000	18.00	13.50	CX35-36B	EL180UH090E48B	8249781
XC21-036-230	TXV	36,000	18.00	13.00	CX35-36B	EL195UH045XE36B	8249782
XC21-036-230	TXV	36,000	18.00	13.00	CX35-36B	EL195UH070XE36B	8249783
XC21-036-230	TXV	36,000	18.00	13.00	CX35-36B	EL296UH045XE36B	8249785
XC21-036-230	TXV	36,000	18.00	13.50	CX35-36B	EL296UH045XV36B	8249784
XC21-036-230	TXV	36,000	18.00	13.00	CX35-36B	EL296UH070XE36B	8249787
XC21-036-230	TXV	36,000	18.00	13.50	CX35-36B	EL296UH070XV36B	8249786
XC21-036-230	TXV	36,000	19.00	13.50	CX35-36B	SL280UH090V36B	8249788
XC21-036-230	TXV	36,000	18.00	13.50	CX35-36B	SL280UH090V48B	8249789
XC21-036-230	TXV	36,000	18.00	13.50	CX35-36B	SL280UH090XV48B	8249790
XC21-036-230	TXV	36,000	18.00	13.50	CX35-36B	SLO185B124/141V60	8249791
XC21-036-230	TXV	36,000	19.00	13.50	CX35-36B	SLO185UF124/141V60	8249792
XC21-036-230	TXV	36,000	18.00	13.50	CX35-36B	SLP98UH070XV36B	8249793
XC21-036-230	TXV	36,000	16.00	12.50	CX35-48B		8249806
XC21-036-230	TXV	36,000	18.00	13.50	CX35-48B	EL180UH070E36B	8249795
XC21-036-230	TXV	36,000	18.00	13.50	CX35-48B	EL180UH090E48B	8249796
XC21-036-230	TXV	36,000	18.00	13.00	CX35-48B	EL195UH045XE36B	8249797
XC21-036-230	TXV	36,000	18.00	13.00	CX35-48B	EL195UH070XE36B	8249798
XC21-036-230	TXV	36,000	18.00	13.00	CX35-48B	EL296UH045XE36B	8249800
XC21-036-230	TXV	36,000	18.00	13.50	CX35-48B	EL296UH045XV36B	8249799
XC21-036-230	TXV	36,000	18.00	13.00	CX35-48B	EL296UH070XE36B	8249802
XC21-036-230	TXV	36,000	18.00	13.50	CX35-48B	EL296UH070XV36B	8249801
XC21-036-230	TXV	36,000	18.00	13.50	CX35-48B	SL280UH090V48B	8249803
XC21-036-230	TXV	36,000	18.00	13.50	CX35-48B	SL280UH090XV48B	8249804
XC21-036-230	TXV	36,000	18.00	13.50	CX35-48B	SLP98UH070XV36B	8249805
XC21-036-230	TXV	36,000	16.00	12.50	CX35-48C		8249825
XC21-036-230	TXV	36,000	18.00	13.50	CX35-48C	CBWMV-36C-090	8249807
XC21-036-230	TXV	36,000	18.00	13.50	CX35-48C	EL195UH090XE48C	8249808
XC21-036-230	TXV	36,000	18.00	13.50	CX35-48C	EL296UH090XE48C	8249811
XC21-036-230	TXV	36,000	18.00	13.50	CX35-48C	EL296UH090XV36C	8249809
XC21-036-230	TXV	36,000	19.00	14.00	CX35-48C	EL296UH090XV48C	8249810
XC21-036-230	TXV	36,000	19.00	13.50	CX35-48C	EL296UH090XV60C	8249812
XC21-036-230	TXV	36,000	19.00	14.00	CX35-48C	EL296UH110XV48C	8249813
XC21-036-230	TXV	36,000	19.00	14.00	CX35-48C	EL296UH110XV60C	8249814
XC21-036-230	TXV	36,000	19.00	14.00	CX35-48C	SL280UH090V60C	8249815
XC21-036-230	TXV	36,000	19.00	14.00	CX35-48C	SL280UH090XV60C	8249816
XC21-036-230	TXV	36,000	18.00	13.50	CX35-48C	SL280UH110V60C	8249817
XC21-036-230	TXV	36,000	18.00	13.50	CX35-48C	SL280UH110XV60C	8249818
XC21-036-230	TXV	36,000	18.00	14.00	CX35-48C	SLO185B124/141V60	8249819
XC21-036-230	TXV	36,000	18.00	13.50	CX35-48C	SLO185UF124/141V60	8249820
XC21-036-230	TXV	36,000	18.00	13.50	CX35-48C	SLP98UH090XV36C	8249821

### NOTES:

TXV = Matched with Thermostatic Expansion Valve.

RFC = Matched with RFC metering device.

All matches with EL195E and ML180E gas furnaces require the use of a Blower Motor Relay Kit (**85W66**) for proper unit operation.

Ratings are AHRI Certified to AHRI Standard 210/240 (with 25 ft. of connecting refrigerant lines); 95°F outdoor air temperature, 80°F db / 67°F wb entering evaporator air. All ratings include the use of a blower time delay relay (TDR). All Lennox variable-speed furnaces and Air Handlers have time delay capabilities. Other Furnaces and Air Handlers may require an optional time delay relay (**58M81**) for field installation. See furnace or air handler specifications to determine if relay is needed.

Also see Expansion Valve Kit Usage Table.

## AHRI SYSTEM MATCHES

NOTE - For the latest up-to-date system matches please visit the AHRI web site at <http://www.ahridirectory.org>

Model No.	Expansion Device	Capacity	SEER	EER	Coil or Air Handler	Furnace	AHRI Reference
XC21-036-230	TXV	36,000	18.00	14.00	CX35-48C	SLP98UH090XV48C	8249822
XC21-036-230	TXV	36,000	19.00	13.50	CX35-48C	SLP98UH090XV60C	8249823
XC21-036-230	TXV	36,000	19.00	14.00	CX35-48C	SLP98UH110XV60C	8249824
XC21-036-230	TXV	36,000	16.00	12.50	CX35-50/60C		8249837
XC21-036-230	TXV	36,000	18.00	13.50	CX35-50/60C	EL195UH090XE48C	8249826
XC21-036-230	TXV	36,000	18.00	13.50	CX35-50/60C	EL296UH090XE48C	8249829
XC21-036-230	TXV	36,000	18.00	13.50	CX35-50/60C	EL296UH090XV36C	8249827
XC21-036-230	TXV	36,000	19.00	13.50	CX35-50/60C	EL296UH090XV48C	8249828
XC21-036-230	TXV	36,000	19.00	13.50	CX35-50/60C	EL296UH090XV60C	8249830
XC21-036-230	TXV	36,000	19.00	13.50	CX35-50/60C	EL296UH110XV48C	8249831
XC21-036-230	TXV	36,000	18.00	13.50	CX35-50/60C	SLO185B124/141V60	8249832
XC21-036-230	TXV	36,000	18.00	13.50	CX35-50/60C	SLO185UF124/141V60	8249833
XC21-036-230	TXV	36,000	18.00	13.50	CX35-50/60C	SLP98UH090XV36C	8249834
XC21-036-230	TXV	36,000	18.00	13.50	CX35-50/60C	SLP98UH090XV48C	8249835
XC21-036-230	TXV	36,000	19.00	13.50	CX35-50/60C	SLP98UH090XV60C	8249836
XC21-036-230	TXV	36,000	16.00	13.00	CX35-60C		8249840
XC21-036-230	TXV	36,000	19.00	14.00	CX35-60C	SLO185B124/141V60	8249838
XC21-036-230	TXV	36,000	19.00	13.50	CX35-60C	SLO185UF124/141V60	8249839
XC21-048-230	TXV	48,000	16.00	12.00	C33-43		5990963
XC21-048-230	TXV	48,000	17.00	12.50	C33-43	EL180UH090E60C	5991411
XC21-048-230	TXV	48,000	17.00	13.00	C33-43	EL180UH110E60C	5991389
XC21-048-230	TXV	48,000	17.00	12.50	C33-43	EL195UH090XE48C	5991091
XC21-048-230	TXV	48,000	17.00	12.50	C33-43	EL195UH110XE60C	5991120
XC21-048-230	TXV	48,000	17.00	12.50	C33-43	EL296UH090XE48C	5991345
XC21-048-230	TXV	48,000	17.00	12.50	C33-43	EL296UH090XV48C	5991005
XC21-048-230	TXV	48,500	17.00	12.50	C33-43	EL296UH090XV60C	5991021
XC21-048-230	TXV	48,000	17.00	12.50	C33-43	EL296UH110XE60C	5991363
XC21-048-230	TXV	48,000	17.00	12.50	C33-43	EL296UH110XV48C	5991038
XC21-048-230	TXV	48,000	17.00	12.50	C33-43	EL296UH110XV60C	5991055
XC21-048-230	TXV	48,000	17.00	12.50	C33-43	SL280UH090V48B	5991245
XC21-048-230	TXV	48,500	17.00	13.00	C33-43	SL280UH090V60C	5991065
XC21-048-230	TXV	48,000	17.00	12.50	C33-43	SL280UH090XV48B	5991246
XC21-048-230	TXV	48,500	17.00	13.00	C33-43	SL280UH090XV60C	5991269
XC21-048-230	TXV	48,500	17.00	13.00	C33-43	SL280UH110V60C	5991067
XC21-048-230	TXV	48,500	17.00	13.00	C33-43	SL280UH110XV60C	5991285
XC21-048-230	TXV	48,000	17.00	12.50	C33-43	SLP98UH090XV48C	5991080
XC21-048-230	TXV	48,500	17.00	12.50	C33-43	SLP98UH090XV60C	5991082
XC21-048-230	TXV	48,500	17.00	12.50	C33-43	SLP98UH110XV60C	5991084
XC21-048-230	TXV	47,500	15.70	12.00	C33-48		5990965
XC21-048-230	TXV	48,000	17.00	12.50	C33-48	CBWMV-60C-100	5990989
XC21-048-230	TXV	47,500	17.00	12.50	C33-48	CBWMV-60C-120	5990991
XC21-048-230	TXV	48,000	17.00	12.50	C33-48	EL180UH090E48B	5991404
XC21-048-230	TXV	47,500	17.00	12.50	C33-48	EL180UH110E60C	5991391
XC21-048-230	TXV	47,500	16.00	12.50	C33-48	EL195UH090XE48C	5991093
XC21-048-230	TXV	47,500	17.00	12.50	C33-48	EL195UH110XE60C	5991122
XC21-048-230	TXV	47,500	16.00	12.50	C33-48	EL296UH090XE48C	5991347
XC21-048-230	TXV	47,500	17.00	12.50	C33-48	EL296UH090XV48C	5991007
XC21-048-230	TXV	48,000	17.00	12.50	C33-48	EL296UH090XV60C	5991023

### NOTES:

TXV = Matched with Thermostatic Expansion Valve.

RFC = Matched with RFC metering device.

All matches with EL195E and ML180E gas furnaces require the use of a Blower Motor Relay Kit (**85W66**) for proper unit operation.

Ratings are AHRI Certified to AHRI Standard 210/240 (with 25 ft. of connecting refrigerant lines); 95°F outdoor air temperature, 80°F db / 67°F wb entering evaporator air. All ratings include the use of a blower time delay relay (TDR). All Lennox variable-speed furnaces and Air Handlers have time delay capabilities. Other Furnaces and Air Handlers may require an optional time delay relay (**58M81**) for field installation. See furnace or air handler specifications to determine if relay is needed.

Also see Expansion Valve Kit Usage Table.



## AHRI SYSTEM MATCHES

NOTE - For the latest up-to-date system matches please visit the AHRI web site at <http://www.ahridirectory.org>

Model No.	Expansion Device	Capacity	SEER	EER	Coil or Air Handler	Furnace	AHRI Reference
XC21-048-230	TXV	47,500	17.00	12.50	C33-48	EL296UH110XE60C	5991365
XC21-048-230	TXV	47,500	17.00	12.50	C33-48	EL296UH110XV48C	5991040
XC21-048-230	TXV	47,500	17.00	12.50	C33-48	EL296UH110XV60C	5991057
XC21-048-230	TXV	48,000	17.00	12.50	C33-48	SL280UH090V48B	5991249
XC21-048-230	TXV	48,000	17.00	12.50	C33-48	SL280UH090V60C	5991086
XC21-048-230	TXV	48,000	17.00	12.50	C33-48	SL280UH090XV48B	5991250
XC21-048-230	TXV	48,000	17.00	12.50	C33-48	SL280UH090XV60C	5991271
XC21-048-230	TXV	47,500	17.00	12.50	C33-48	SL280UH110V60C	5991088
XC21-048-230	TXV	47,500	17.00	12.50	C33-48	SL280UH110XV60C	5991287
XC21-048-230	TXV	47,500	17.00	12.50	C33-48	SLP98UH090XV48C	5991103
XC21-048-230	TXV	48,000	17.00	12.50	C33-48	SLP98UH090XV60C	5991090
XC21-048-230	TXV	48,000	17.00	12.50	C33-48	SLP98UH110XV60C	5991105
XC21-048-230	TXV	48,500	16.00	12.00	C33-49		5990967
XC21-048-230	TXV	49,000	17.00	13.00	C33-49	CBWMV-60C-100	5990993
XC21-048-230	TXV	49,000	17.00	13.00	C33-49	CBWMV-60C-120	5990995
XC21-048-230	TXV	48,500	17.00	13.00	C33-49	EL180UH090E60C	5991415
XC21-048-230	TXV	48,500	17.00	13.00	C33-49	EL180UH110E60C	5991393
XC21-048-230	TXV	48,500	17.00	12.50	C33-49	EL195UH090XE48C	5991095
XC21-048-230	TXV	48,500	17.00	12.50	C33-49	EL195UH110XE60C	5991135
XC21-048-230	TXV	48,500	17.00	12.50	C33-49	EL296UH090XE48C	5991349
XC21-048-230	TXV	49,000	17.00	13.00	C33-49	EL296UH090XV48C	5991009
XC21-048-230	TXV	49,000	17.00	13.00	C33-49	EL296UH090XV60C	5991025
XC21-048-230	TXV	48,500	17.00	12.50	C33-49	EL296UH110XE60C	5991367
XC21-048-230	TXV	49,000	17.00	13.00	C33-49	EL296UH110XV48C	5991042
XC21-048-230	TXV	49,000	17.00	13.00	C33-49	EL296UH110XV60C	5991059
XC21-048-230	TXV	49,000	17.00	13.00	C33-49	SL280UH090V60C	5990999
XC21-048-230	TXV	49,000	17.00	13.00	C33-49	SL280UH090XV60C	5991273
XC21-048-230	TXV	49,000	17.00	13.00	C33-49	SL280UH110V60C	5991107
XC21-048-230	TXV	49,000	17.00	13.00	C33-49	SL280UH110XV60C	5991289
XC21-048-230	TXV	49,000	17.00	13.00	C33-49	SLO185B124/141V60	7109981
XC21-048-230	TXV	49,000	17.00	13.00	C33-49	SLO185UF124/141V60	7109970
XC21-048-230	TXV	49,000	17.00	13.00	C33-49	SLP98UH090XV48C	5991111
XC21-048-230	TXV	49,000	17.00	13.00	C33-49	SLP98UH090XV60C	5991109
XC21-048-230	TXV	49,000	17.00	13.00	C33-49	SLP98UH110XV60C	5991124
XC21-048-230	TXV	48,000	16.00	12.00	C33-50/60C		5990969
XC21-048-230	TXV	48,500	17.00	12.50	C33-50/60C	CBWMV-60C-100	5990997
XC21-048-230	TXV	48,000	17.00	12.50	C33-50/60C	CBWMV-60C-120	5991000
XC21-048-230	TXV	48,000	17.00	13.00	C33-50/60C	EL180UH110E60C	5991395
XC21-048-230	TXV	48,000	17.00	12.50	C33-50/60C	EL195UH090XE48C	5991097
XC21-048-230	TXV	48,000	17.00	12.50	C33-50/60C	EL195UH110XE60C	5991137
XC21-048-230	TXV	48,000	17.00	12.50	C33-50/60C	EL296UH090XE48C	5991351
XC21-048-230	TXV	48,500	17.00	12.50	C33-50/60C	EL296UH090XV48C	5991300
XC21-048-230	TXV	48,000	17.00	12.50	C33-50/60C	EL296UH110XE60C	5991369
XC21-048-230	TXV	48,500	17.00	12.50	C33-50/60C	EL296UH110XV48C	5991044
XC21-048-230	TXV	48,500	17.00	12.50	C33-50/60C	EL296UH110XV60C	5991061
XC21-048-230	TXV	48,500	17.00	12.50	C33-50/60C	SL280UH090V60C	5991126
XC21-048-230	TXV	48,500	17.00	12.50	C33-50/60C	SL280UH090XV60C	5991275
XC21-048-230	TXV	48,500	17.00	12.50	C33-50/60C	SL280UH110V60C	5991128

### NOTES:

TXV = Matched with Thermostatic Expansion Valve.

RFC = Matched with RFC metering device.

All matches with EL195E and ML180E gas furnaces require the use of a Blower Motor Relay Kit (**85W66**) for proper unit operation.

Ratings are AHRI Certified to AHRI Standard 210/240 (with 25 ft. of connecting refrigerant lines); 95°F outdoor air temperature, 80°F db / 67°F wb entering evaporator air. All ratings include the use of a blower time delay relay (TDR). All Lennox variable-speed furnaces and Air Handlers have time delay capabilities. Other Furnaces and Air Handlers may require an optional time delay relay (**58M81**) for field installation. See furnace or air handler specifications to determine if relay is needed.

Also see Expansion Valve Kit Usage Table.

## AHRI SYSTEM MATCHES

NOTE - For the latest up-to-date system matches please visit the AHRI web site at <http://www.ahridirectory.org>

Model No.	Expansion Device	Capacity	SEER	EER	Coil or Air Handler	Furnace	AHRI Reference
XC21-048-230	TXV	48,500	17.00	12.50	C33-50/60C	SL280UH110XV60C	5991291
XC21-048-230	TXV	48,500	17.00	12.50	C33-50/60C	SLO185B124/141V60	7109982
XC21-048-230	TXV	48,500	17.00	12.50	C33-50/60C	SLO185UF124/141V60	7109971
XC21-048-230	TXV	48,500	17.00	12.50	C33-50/60C	SLP98UH090XV48C	5991132
XC21-048-230	TXV	48,500	17.00	12.50	C33-50/60C	SLP98UH090XV60C	5991130
XC21-048-230	TXV	48,500	17.00	12.50	C33-50/60C	SLP98UH110XV60C	5991134
XC21-048-230	TXV	48,500	16.00	12.00	C33-60D		5990971
XC21-048-230	TXV	48,500	17.00	13.00	C33-60D	EL296UH135XV60D	5991302
XC21-048-230	TXV	49,000	17.00	13.00	C33-60D	SL280UH135V60D	5991147
XC21-048-230	TXV	49,000	17.00	13.00	C33-60D	SLO185B124/141V60	7109984
XC21-048-230	TXV	49,000	17.00	13.00	C33-60D	SLO185UF124/141V60	7109973
XC21-048-230	TXV	49,000	17.00	13.00	C33-60D	SLP98UH135XV60D	5991149
XC21-048-230	TXV	50,000	16.00	12.50	C33-62C		5990973
XC21-048-230	TXV	50,500	18.00	13.00	C33-62C	CBWMV-60C-100	5991002
XC21-048-230	TXV	50,500	18.00	13.00	C33-62C	CBWMV-60C-120	5991004
XC21-048-230	TXV	50,000	18.00	13.50	C33-62C	EL180UH090E60C	5991419
XC21-048-230	TXV	50,000	17.00	13.50	C33-62C	EL180UH110E60C	5991397
XC21-048-230	TXV	50,000	17.00	13.00	C33-62C	EL195UH090XE48C	5991099
XC21-048-230	TXV	50,000	17.00	13.00	C33-62C	EL195UH110XE60C	5991139
XC21-048-230	TXV	50,000	17.00	13.00	C33-62C	EL296UH090XE48C	5991353
XC21-048-230	TXV	50,500	18.00	13.00	C33-62C	EL296UH090XV48C	5991011
XC21-048-230	TXV	50,500	18.00	13.00	C33-62C	EL296UH090XV60C	5991028
XC21-048-230	TXV	50,000	17.00	13.00	C33-62C	EL296UH110XE60C	5991371
XC21-048-230	TXV	50,500	18.00	13.00	C33-62C	EL296UH110XV48C	5991046
XC21-048-230	TXV	50,500	18.00	13.00	C33-62C	EL296UH110XV60C	5991063
XC21-048-230	TXV	50,500	18.00	13.50	C33-62C	SL280UH090V60C	5991151
XC21-048-230	TXV	50,500	18.00	13.50	C33-62C	SL280UH090XV60C	5991277
XC21-048-230	TXV	50,500	18.00	13.50	C33-62C	SL280UH110V60C	5991153
XC21-048-230	TXV	50,500	18.00	13.50	C33-62C	SL280UH110XV60C	5991293
XC21-048-230	TXV	50,500	18.00	13.50	C33-62C	SLO185B124/141V60	7109983
XC21-048-230	TXV	50,500	18.00	13.50	C33-62C	SLO185UF124/141V60	7109972
XC21-048-230	TXV	50,500	18.00	13.00	C33-62C	SLP98UH090XV48C	5991168
XC21-048-230	TXV	50,500	18.00	13.00	C33-62C	SLP98UH090XV60C	5991155
XC21-048-230	TXV	50,500	18.00	13.00	C33-62C	SLP98UH110XV60C	5991170
XC21-048-230	TXV	49,000	16.00	12.50	C33-62D		5990975
XC21-048-230	TXV	49,000	18.00	13.00	C33-62D	EL296UH135XV60D	5991304
XC21-048-230	TXV	49,500	18.00	13.00	C33-62D	SL280UH135V60D	5991172
XC21-048-230	TXV	49,500	17.00	13.00	C33-62D	SLO185B124/141V60	7109985
XC21-048-230	TXV	49,500	17.00	13.00	C33-62D	SLO185UF124/141V60	7109974
XC21-048-230	TXV	49,500	17.00	13.00	C33-62D	SLP98UH135XV60D	5991174
XC21-048-230	TXV	48,000	16.00	12.00	C35-48B		8251478
XC21-048-230	TXV	48,000	17.00	12.50	C35-48B	SL280UH090V48B	8251476
XC21-048-230	TXV	48,000	17.00	12.50	C35-48B	SL280UH090XV48B	8251477
XC21-048-230	TXV	48,000	16.00	12.00	C35-48C		8251496
XC21-048-230	TXV	48,000	17.00	12.50	C35-48C	EL180UH090E60C	8251479
XC21-048-230	TXV	48,000	17.00	13.00	C35-48C	EL180UH110E60C	8251480
XC21-048-230	TXV	48,000	17.00	12.50	C35-48C	EL195UH090XE48C	8251481
XC21-048-230	TXV	48,000	17.00	12.50	C35-48C	EL195UH110XE60C	8251482

### NOTES:

TXV = Matched with Thermostatic Expansion Valve.

RFC = Matched with RFC metering device.

All matches with EL195E and ML180E gas furnaces require the use of a Blower Motor Relay Kit (**85W66**) for proper unit operation.

Ratings are AHRI Certified to AHRI Standard 210/240 (with 25 ft. of connecting refrigerant lines); 95°F outdoor air temperature, 80°F db / 67°F wb entering evaporator air. All ratings include the use of a blower time delay relay (TDR). All Lennox variable-speed furnaces and Air Handlers have time delay capabilities. Other Furnaces and Air Handlers may require an optional time delay relay (**58M81**) for field installation. See furnace or air handler specifications to determine if relay is needed.

Also see Expansion Valve Kit Usage Table.

## AHRI SYSTEM MATCHES

NOTE - For the latest up-to-date system matches please visit the AHRI web site at <http://www.ahridirectory.org>

Model No.	Expansion Device	Capacity	SEER	EER	Coil or Air Handler	Furnace	AHRI Reference
XC21-048-230	TXV	48,000	17.00	12.50	C35-48C	EL296UH090XE48C	8251485
XC21-048-230	TXV	48,000	17.00	12.50	C35-48C	EL296UH090XV48C	8251483
XC21-048-230	TXV	48,000	17.00	12.50	C35-48C	EL296UH090XV60C	8251484
XC21-048-230	TXV	48,000	17.00	12.50	C35-48C	EL296UH110XE60C	8251488
XC21-048-230	TXV	48,000	17.00	12.50	C35-48C	EL296UH110XV48C	8251486
XC21-048-230	TXV	48,000	17.00	12.50	C35-48C	EL296UH110XV60C	8251487
XC21-048-230	TXV	48,000	17.00	13.00	C35-48C	SL280UH090V60C	8251489
XC21-048-230	TXV	48,000	17.00	13.00	C35-48C	SL280UH090XV60C	8251490
XC21-048-230	TXV	48,000	17.00	13.00	C35-48C	SL280UH110V60C	8251491
XC21-048-230	TXV	48,000	17.00	13.00	C35-48C	SL280UH110XV60C	8251492
XC21-048-230	TXV	48,000	17.00	12.50	C35-48C	SLP98UH090XV48C	8251493
XC21-048-230	TXV	48,000	17.00	12.50	C35-48C	SLP98UH090XV60C	8251494
XC21-048-230	TXV	48,000	17.00	12.50	C35-48C	SLP98UH110XV60C	8251495
XC21-048-230	TXV	47,500	15.70	12.00	C35-49C		8251514
XC21-048-230	TXV	48,000	17.00	13.00	C35-49C	EL180UH090E60C	8251497
XC21-048-230	TXV	48,000	17.00	13.00	C35-49C	EL180UH110E60C	8251498
XC21-048-230	TXV	48,000	17.00	12.50	C35-49C	EL195UH090XE48C	8251499
XC21-048-230	TXV	48,000	17.00	12.50	C35-49C	EL195UH110XE60C	8251500
XC21-048-230	TXV	48,000	17.00	12.50	C35-49C	EL296UH090XE48C	8251503
XC21-048-230	TXV	48,000	17.00	13.00	C35-49C	EL296UH090XV48C	8251501
XC21-048-230	TXV	48,000	17.00	13.00	C35-49C	EL296UH090XV60C	8251502
XC21-048-230	TXV	48,000	17.00	12.50	C35-49C	EL296UH110XE60C	8251506
XC21-048-230	TXV	48,000	17.00	13.00	C35-49C	EL296UH110XV48C	8251504
XC21-048-230	TXV	48,000	17.00	13.00	C35-49C	EL296UH110XV60C	8251505
XC21-048-230	TXV	48,000	17.00	13.00	C35-49C	SL280UH090V60C	8251507
XC21-048-230	TXV	48,000	17.00	13.00	C35-49C	SL280UH090XV60C	8251508
XC21-048-230	TXV	48,000	17.00	13.00	C35-49C	SL280UH110V60C	8251509
XC21-048-230	TXV	48,000	17.00	13.00	C35-49C	SL280UH110XV60C	8251510
XC21-048-230	TXV	48,000	17.00	13.00	C35-49C	SLP98UH090XV48C	8251511
XC21-048-230	TXV	48,000	17.00	13.00	C35-49C	SLP98UH090XV60C	8251512
XC21-048-230	TXV	48,000	17.00	13.00	C35-49C	SLP98UH110XV60C	8251513
XC21-048-230	TXV	48,000	15.70	12.00	C35-50/60C		8251536
XC21-048-230	TXV	48,000	17.00	12.50	C35-50/60C	CBWMV-60C-100	8251515
XC21-048-230	TXV	48,000	17.00	12.50	C35-50/60C	CBWMV-60C-120	8251516
XC21-048-230	TXV	48,000	17.00	12.50	C35-50/60C	EL180UH090E60C	8251517
XC21-048-230	TXV	47,000	17.00	12.50	C35-50/60C	EL180UH110E60C	8251518
XC21-048-230	TXV	48,000	16.50	12.50	C35-50/60C	EL195UH090XE48C	8251519
XC21-048-230	TXV	48,000	17.00	12.50	C35-50/60C	EL195UH110XE60C	8251520
XC21-048-230	TXV	48,000	16.50	12.50	C35-50/60C	EL296UH090XE48C	8251522
XC21-048-230	TXV	47,500	17.00	12.50	C35-50/60C	EL296UH090XV48C	8251523
XC21-048-230	TXV	47,500	17.00	12.50	C35-50/60C	EL296UH090XV60C	8251521
XC21-048-230	TXV	48,000	17.00	12.50	C35-50/60C	EL296UH110XE60C	8251526
XC21-048-230	TXV	47,500	17.00	12.50	C35-50/60C	EL296UH110XV48C	8251524
XC21-048-230	TXV	47,500	17.00	12.50	C35-50/60C	EL296UH110XV60C	8251525
XC21-048-230	TXV	47,500	17.00	12.50	C35-50/60C	SL280UH090V60C	8251527
XC21-048-230	TXV	47,500	17.00	12.50	C35-50/60C	SL280UH090XV60C	8251528
XC21-048-230	TXV	47,500	17.00	12.50	C35-50/60C	SL280UH110V60C	8251529
XC21-048-230	TXV	47,500	17.00	12.50	C35-50/60C	SL280UH110XV60C	8251530

**NOTES:**

TXV = Matched with Thermostatic Expansion Valve.

RFC = Matched with RFC metering device.

All matches with EL195E and ML180E gas furnaces require the use of a Blower Motor Relay Kit (**85W66**) for proper unit operation.

Ratings are AHRI Certified to AHRI Standard 210/240 (with 25 ft. of connecting refrigerant lines); 95°F outdoor air temperature, 80°F db / 67°F wb entering evaporator air. All ratings include the use of a blower time delay relay (TDR). All Lennox variable-speed furnaces and Air Handlers have time delay capabilities. Other Furnaces and Air Handlers may require an optional time delay relay (**58M81**) for field installation. See furnace or air handler specifications to determine if relay is needed.

Also see Expansion Valve Kit Usage Table.

## AHRI SYSTEM MATCHES

NOTE - For the latest up-to-date system matches please visit the AHRI web site at <http://www.ahridirectory.org>

Model No.	Expansion Device	Capacity	SEER	EER	Coil or Air Handler	Furnace	AHRI Reference
XC21-048-230	TXV	47,500	17.00	12.50	C35-50/60C	SLO185B124/141V60	8251531
XC21-048-230	TXV	47,500	16.00	12.50	C35-50/60C	SLO185UF124/141V60	8251532
XC21-048-230	TXV	47,500	17.00	12.50	C35-50/60C	SLP98UH090XV48C	8251533
XC21-048-230	TXV	47,500	17.00	12.50	C35-50/60C	SLP98UH090XV60C	8251534
XC21-048-230	TXV	48,000	17.00	12.50	C35-50/60C	SLP98UH110XV60C	8251535
XC21-048-230	TXV	48,000	16.00	12.50	C35-60C		8251558
XC21-048-230	TXV	48,000	18.00	13.00	C35-60C	CBWMV-60C-100	8251537
XC21-048-230	TXV	48,000	18.00	13.00	C35-60C	CBWMV-60C-120	8251538
XC21-048-230	TXV	48,000	18.00	13.00	C35-60C	EL180UH090E60C	8251539
XC21-048-230	TXV	48,000	17.00	13.50	C35-60C	EL180UH110E60C	8251540
XC21-048-230	TXV	48,000	17.00	13.00	C35-60C	EL195UH090XE48C	8251541
XC21-048-230	TXV	48,000	17.00	13.00	C35-60C	EL195UH110XE60C	8251542
XC21-048-230	TXV	48,000	17.00	13.00	C35-60C	EL296UH090XE48C	8251545
XC21-048-230	TXV	48,000	18.00	13.00	C35-60C	EL296UH090XV48C	8251543
XC21-048-230	TXV	48,000	18.00	13.00	C35-60C	EL296UH090XV60C	8251544
XC21-048-230	TXV	48,000	17.00	13.00	C35-60C	EL296UH110XE60C	8251548
XC21-048-230	TXV	48,000	18.00	13.00	C35-60C	EL296UH110XV48C	8251546
XC21-048-230	TXV	48,000	18.00	13.00	C35-60C	EL296UH110XV60C	8251547
XC21-048-230	TXV	48,000	18.00	13.50	C35-60C	SL280UH090V60C	8251549
XC21-048-230	TXV	48,000	18.00	13.50	C35-60C	SL280UH090XV60C	8251550
XC21-048-230	TXV	48,000	18.00	13.50	C35-60C	SL280UH110V60C	8251551
XC21-048-230	TXV	48,000	18.00	13.50	C35-60C	SL280UH110XV60C	8251552
XC21-048-230	TXV	48,000	18.00	13.50	C35-60C	SLO185B124/141V60	8251553
XC21-048-230	TXV	48,000	18.00	13.50	C35-60C	SLO185UF124/141V60	8251554
XC21-048-230	TXV	48,000	18.00	13.00	C35-60C	SLP98UH090XV48C	8251555
XC21-048-230	TXV	48,000	18.00	13.00	C35-60C	SLP98UH090XV60C	8251556
XC21-048-230	TXV	48,000	18.00	13.00	C35-60C	SLP98UH110XV60C	8251557
XC21-048-230	TXV	48,000	16.00	12.50	C35-60D		8251564
XC21-048-230	TXV	48,000	17.00	13.00	C35-60D	EL296UH135XV60D	8251559
XC21-048-230	TXV	48,000	18.00	13.00	C35-60D	SL280UH135V60D	8251560
XC21-048-230	TXV	48,000	17.00	13.00	C35-60D	SLO185B124/141V60	8251561
XC21-048-230	TXV	48,000	17.00	13.00	C35-60D	SLO185UF124/141V60	8251562
XC21-048-230	TXV	48,000	17.00	13.00	C35-60D	SLP98UH135XV60D	8251563
XC21-048-230	TXV	49,500	18.00	13.00	CBX27UH-048		5991261
XC21-048-230	TXV	48,500	18.00	13.00	CBX27UH-060		5991262
XC21-048-230	TXV	49,000	17.00	12.50	CBX32M-048		5991263
XC21-048-230	TXV	46,500	17.00	12.00	CBX32MV-036		5991264
XC21-048-230	TXV	49,500	18.00	13.00	CBX32MV-048		5991265
XC21-048-230	TXV	49,500	18.00	13.00	CBX32MV-060		5991266
XC21-048-230	TXV	49,000	18.00	13.00	CBX32MV-068		5991317
XC21-048-230	TXV	46,500	17.00	12.00	CBX40UHV-036		5991318
XC21-048-230	TXV	49,500	18.00	13.00	CBX40UHV-048		5991319
XC21-048-230	TXV	49,500	18.00	13.00	CBX40UHV-060		5991320
XC21-048-230	TXV	46,500	15.50	11.70	CH23-41		5990977
XC21-048-230	TXV	47,000	16.00	12.00	CH23-41	EL180UH090E48B	5991406
XC21-048-230	TXV	46,500	16.00	12.50	CH23-41	EL180UH090E60C	5991421
XC21-048-230	TXV	46,500	16.00	12.50	CH23-41	EL180UH110E60C	5991399
XC21-048-230	TXV	46,500	16.00	12.00	CH23-41	EL195UH090XE48C	5991101

### NOTES:

TXV = Matched with Thermostatic Expansion Valve.

RFC = Matched with RFC metering device.

All matches with EL195E and ML180E gas furnaces require the use of a Blower Motor Relay Kit (**85W66**) for proper unit operation.

Ratings are AHRI Certified to AHRI Standard 210/240 (with 25 ft. of connecting refrigerant lines); 95°F outdoor air temperature, 80°F db / 67°F wb entering evaporator air. All ratings include the use of a blower time delay relay (TDR). All Lennox variable-speed furnaces and Air Handlers have time delay capabilities. Other Furnaces and Air Handlers may require an optional time delay relay (**58M81**) for field installation. See furnace or air handler specifications to determine if relay is needed.

Also see Expansion Valve Kit Usage Table.



## AHRI SYSTEM MATCHES

NOTE - For the latest up-to-date system matches please visit the AHRI web site at <http://www.ahridirectory.org>

Model No.	Expansion Device	Capacity	SEER	EER	Coil or Air Handler	Furnace	AHRI Reference
XC21-048-230	TXV	46,500	16.00	12.00	CH23-41	EL195UH110XE60C	5991141
XC21-048-230	TXV	46,500	16.00	12.00	CH23-41	EL296UH090XE48C	5991355
XC21-048-230	TXV	47,000	17.00	12.50	CH23-41	EL296UH090XV48C	5991013
XC21-048-230	TXV	47,000	17.00	12.50	CH23-41	EL296UH090XV60C	5991030
XC21-048-230	TXV	46,500	16.00	12.00	CH23-41	EL296UH110XE60C	5991373
XC21-048-230	TXV	47,000	17.00	12.50	CH23-41	EL296UH110XV48C	5991048
XC21-048-230	TXV	47,000	17.00	12.50	CH23-41	EL296UH110XV60C	5991070
XC21-048-230	TXV	47,000	15.50	12.00	CH23-51		5990978
XC21-048-230	TXV	47,000	16.00	12.00	CH23-51	EL180UH090E48B	5991407
XC21-048-230	TXV	47,000	16.00	12.50	CH23-51	EL180UH090E60C	5991422
XC21-048-230	TXV	46,500	16.00	12.50	CH23-51	EL180UH110E60C	5991400
XC21-048-230	TXV	46,500	16.00	12.00	CH23-51	EL195UH090XE48C	5991113
XC21-048-230	TXV	47,000	16.00	12.50	CH23-51	EL195UH110XE60C	5991142
XC21-048-230	TXV	46,500	16.00	12.00	CH23-51	EL296UH090XE48C	5991356
XC21-048-230	TXV	47,000	17.00	12.50	CH23-51	EL296UH090XV48C	5991014
XC21-048-230	TXV	47,000	17.00	12.50	CH23-51	EL296UH090XV60C	5991031
XC21-048-230	TXV	47,000	16.00	12.50	CH23-51	EL296UH110XE60C	5991374
XC21-048-230	TXV	47,000	17.00	12.50	CH23-51	EL296UH110XV48C	5991049
XC21-048-230	TXV	47,000	17.00	12.50	CH23-51	EL296UH110XV60C	5991071
XC21-048-230	TXV	47,000	17.00	12.50	CH23-51	EL296UH135XV60D	5991306
XC21-048-230	TXV	47,500	17.00	12.50	CH23-51	SL280UH090V60C	5991175
XC21-048-230	TXV	47,500	17.00	12.50	CH23-51	SL280UH090XV60C	5991278
XC21-048-230	TXV	47,000	17.00	12.50	CH23-51	SL280UH110V60C	5991176
XC21-048-230	TXV	47,000	17.00	12.50	CH23-51	SL280UH110XV60C	5991294
XC21-048-230	TXV	47,500	17.00	12.50	CH23-51	SL280UH135V60D	5991177
XC21-048-230	TXV	47,000	17.00	12.50	CH23-51	SLP98UH090XV60C	5991178
XC21-048-230	TXV	47,000	17.00	12.50	CH23-51	SLP98UH110XV60C	5991190
XC21-048-230	TXV	47,000	17.00	12.50	CH23-51	SLP98UH135XV60D	5991191
XC21-048-230	TXV	47,500	15.70	12.20	CH23-65		5990979
XC21-048-230	TXV	47,500	17.00	12.50	CH23-65	EL180UH090E60C	5991423
XC21-048-230	TXV	47,000	17.00	12.50	CH23-65	EL180UH110E60C	5991401
XC21-048-230	TXV	47,500	16.00	12.50	CH23-65	EL195UH090XE48C	5991114
XC21-048-230	TXV	47,500	17.00	12.50	CH23-65	EL195UH110XE60C	5991143
XC21-048-230	TXV	47,500	16.00	12.50	CH23-65	EL296UH090XE48C	5991357
XC21-048-230	TXV	48,000	17.00	12.50	CH23-65	EL296UH090XV48C	5991015
XC21-048-230	TXV	48,000	17.00	12.50	CH23-65	EL296UH090XV60C	5991032
XC21-048-230	TXV	47,500	17.00	12.50	CH23-65	EL296UH110XE60C	5991375
XC21-048-230	TXV	48,000	17.00	13.00	CH23-65	EL296UH110XV48C	5991050
XC21-048-230	TXV	48,000	17.00	12.50	CH23-65	EL296UH110XV60C	5991072
XC21-048-230	TXV	47,500	17.00	12.50	CH23-65	EL296UH135XV60D	5991307
XC21-048-230	TXV	48,000	17.00	13.00	CH23-65	SL280UH090V60C	5991192
XC21-048-230	TXV	48,000	17.00	13.00	CH23-65	SL280UH090XV60C	5991279
XC21-048-230	TXV	48,000	17.00	13.00	CH23-65	SL280UH110V60C	5991193
XC21-048-230	TXV	48,000	17.00	13.00	CH23-65	SL280UH110XV60C	5991295
XC21-048-230	TXV	48,000	17.00	13.00	CH23-65	SL280UH135V60D	5991194
XC21-048-230	TXV	48,000	17.00	12.50	CH23-65	SLP98UH090XV60C	5991195
XC21-048-230	TXV	48,000	17.00	12.50	CH23-65	SLP98UH110XV60C	5991196
XC21-048-230	TXV	48,000	17.00	12.50	CH23-65	SLP98UH135XV60D	5991197

### NOTES:

TXV = Matched with Thermostatic Expansion Valve.

RFC = Matched with RFC metering device.

All matches with EL195E and ML180E gas furnaces require the use of a Blower Motor Relay Kit (**85W66**) for proper unit operation.

Ratings are AHRI Certified to AHRI Standard 210/240 (with 25 ft. of connecting refrigerant lines); 95°F outdoor air temperature, 80°F db / 67°F wb entering evaporator air. All ratings include the use of a blower time delay relay (TDR). All Lennox variable-speed furnaces and Air Handlers have time delay capabilities. Other Furnaces and Air Handlers may require an optional time delay relay (**58M81**) for field installation. See furnace or air handler specifications to determine if relay is needed.

Also see Expansion Valve Kit Usage Table.

## AHRI SYSTEM MATCHES

NOTE - For the latest up-to-date system matches please visit the AHRI web site at <http://www.ahridirectory.org>

Model No.	Expansion Device	Capacity	SEER	EER	Coil or Air Handler	Furnace	AHRI Reference
XC21-048-230	TXV	49,500	16.00	12.50	CH23-68		5990980
XC21-048-230	TXV	49,500	17.00	13.00	CH23-68	EL180UH090E60C	5991424
XC21-048-230	TXV	49,000	17.00	13.00	CH23-68	EL180UH110E60C	5991402
XC21-048-230	TXV	49,500	17.00	13.00	CH23-68	EL195UH090XE48C	5991115
XC21-048-230	TXV	49,500	17.00	13.00	CH23-68	EL195UH110XE60C	5991144
XC21-048-230	TXV	49,500	17.00	13.00	CH23-68	EL296UH090XE48C	5991358
XC21-048-230	TXV	50,000	18.00	13.00	CH23-68	EL296UH090XV48C	5991016
XC21-048-230	TXV	50,000	18.00	13.00	CH23-68	EL296UH090XV60C	5991033
XC21-048-230	TXV	49,500	17.00	13.00	CH23-68	EL296UH110XE60C	5991376
XC21-048-230	TXV	49,500	18.00	13.00	CH23-68	EL296UH110XV48C	5991051
XC21-048-230	TXV	49,500	18.00	13.00	CH23-68	EL296UH110XV60C	5991073
XC21-048-230	TXV	49,500	18.00	13.50	CH23-68	EL296UH135XV60D	5991308
XC21-048-230	TXV	50,000	18.00	13.50	CH23-68	SL280UH090V60C	5991198
XC21-048-230	TXV	50,000	18.00	13.50	CH23-68	SL280UH090XV60C	5991280
XC21-048-230	TXV	49,500	18.00	13.00	CH23-68	SL280UH110V60C	5991199
XC21-048-230	TXV	49,500	18.00	13.00	CH23-68	SL280UH110XV60C	5991296
XC21-048-230	TXV	50,000	18.00	13.50	CH23-68	SL280UH135V60D	5991213
XC21-048-230	TXV	50,000	18.00	13.00	CH23-68	SLP98UH090XV60C	5991200
XC21-048-230	TXV	49,500	18.00	13.00	CH23-68	SLP98UH110XV60C	5991212
XC21-048-230	TXV	50,000	18.00	13.50	CH23-68	SLP98UH135XV60D	5991214
XC21-048-230	TXV	48,500	16.00	12.50	CH33-43		5990981
XC21-048-230	TXV	50,000	17.00	13.00	CH33-43	SL280UH090V48B	5991253
XC21-048-230	TXV	50,000	17.00	13.00	CH33-43	SL280UH090XV48B	5991254
XC21-048-230	TXV	48,500	17.00	13.00	CH33-43C	EL180UH090E60C	5991425
XC21-048-230	TXV	48,500	17.00	13.00	CH33-43C	EL180UH110E60C	5991403
XC21-048-230	TXV	48,500	17.00	12.50	CH33-43C	EL195UH090XE48C	5991116
XC21-048-230	TXV	48,500	17.00	13.00	CH33-43C	EL195UH110XE60C	5991145
XC21-048-230	TXV	48,500	17.00	12.50	CH33-43C	EL296UH090XE48C	5991359
XC21-048-230	TXV	49,000	17.00	12.50	CH33-43C	EL296UH090XV48C	5991017
XC21-048-230	TXV	49,000	17.00	12.50	CH33-43C	EL296UH090XV60C	5991034
XC21-048-230	TXV	48,500	17.00	13.00	CH33-43C	EL296UH110XE60C	5991377
XC21-048-230	TXV	49,000	17.00	13.00	CH33-43C	EL296UH110XV48C	5991052
XC21-048-230	TXV	48,500	17.00	12.50	CH33-43C	EL296UH110XV60C	5991074
XC21-048-230	TXV	48,500	17.00	12.50	CH33-44/48	SL280UH090V48B	5991255
XC21-048-230	TXV	48,500	17.00	12.50	CH33-44/48	SL280UH090XV48B	5991267
XC21-048-230	TXV	48,500	16.00	12.50	CH33-48		5990982
XC21-048-230	TXV	48,500	17.00	12.50	CH33-48	EL296UH090XV48C	5991018
XC21-048-230	TXV	48,500	17.00	12.50	CH33-48	EL296UH090XV60C	5991035
XC21-048-230	TXV	48,500	17.00	12.50	CH33-48	EL296UH110XV60C	5991075
XC21-048-230	TXV	48,500	17.00	12.50	CH33-48	SL280UH090V60C	5991215
XC21-048-230	TXV	48,500	17.00	12.50	CH33-48	SL280UH090XV60C	5991281
XC21-048-230	TXV	48,500	17.00	12.50	CH33-48	SL280UH110V60C	5991216
XC21-048-230	TXV	48,500	17.00	12.50	CH33-48	SL280UH110XV60C	5991297
XC21-048-230	TXV	48,500	17.00	12.50	CH33-48	SLP98UH090XV48C	5991218
XC21-048-230	TXV	48,500	17.00	12.50	CH33-48	SLP98UH090XV60C	5991217
XC21-048-230	TXV	48,500	17.00	12.50	CH33-48	SLP98UH110XV60C	5991219
XC21-048-230	TXV	47,500	17.00	12.50	CH33-48C	EL180UH090E60C	5991413
XC21-048-230	TXV	48,000	17.00	13.00	CH33-48C	EL180UH110E60C	5991408

### NOTES:

TXV = Matched with Thermostatic Expansion Valve.

RFC = Matched with RFC metering device.

All matches with EL195E and ML180E gas furnaces require the use of a Blower Motor Relay Kit (**85W66**) for proper unit operation.

Ratings are AHRI Certified to AHRI Standard 210/240 (with 25 ft. of connecting refrigerant lines); 95°F outdoor air temperature, 80°F db / 67°F wb entering evaporator air. All ratings include the use of a blower time delay relay (TDR). All Lennox variable-speed furnaces and Air Handlers have time delay capabilities. Other Furnaces and Air Handlers may require an optional time delay relay (**58M81**) for field installation. See furnace or air handler specifications to determine if relay is needed.

Also see Expansion Valve Kit Usage Table.

## AHRI SYSTEM MATCHES

NOTE - For the latest up-to-date system matches please visit the AHRI web site at <http://www.ahridirectory.org>

Model No.	Expansion Device	Capacity	SEER	EER	Coil or Air Handler	Furnace	AHRI Reference
XC21-048-230	TXV	48,000	17.00	12.50	CH33-48C	EL195UH090XE48C	5991117
XC21-048-230	TXV	48,500	17.00	13.00	CH33-48C	EL195UH110XE60C	5991157
XC21-048-230	TXV	48,000	17.00	12.50	CH33-48C	EL296UH090XE48C	5991360
XC21-048-230	TXV	48,500	17.00	13.00	CH33-48C	EL296UH110XE60C	5991378
XC21-048-230	TXV	48,500	17.00	12.50	CH33-48C	EL296UH110XV48C	5991053
XC21-048-230	TXV	49,500	16.00	12.50	CH33-49		5990983
XC21-048-230	TXV	49,500	18.00	13.00	CH33-49	CBWMV-60C-100	5991311
XC21-048-230	TXV	49,000	17.00	13.00	CH33-49	EL180UH090E60C	5991426
XC21-048-230	TXV	49,000	17.00	13.00	CH33-49	EL180UH110E60C	5991409
XC21-048-230	TXV	49,000	17.00	13.00	CH33-49	EL195UH090XE48C	5991118
XC21-048-230	TXV	49,000	17.00	13.00	CH33-49	EL195UH110XE60C	5991158
XC21-048-230	TXV	49,000	17.00	13.00	CH33-49	EL296UH090XE48C	5991361
XC21-048-230	TXV	49,500	17.00	13.00	CH33-49	EL296UH090XV48C	5991019
XC21-048-230	TXV	49,500	17.00	13.00	CH33-49	EL296UH090XV60C	5991036
XC21-048-230	TXV	49,000	17.00	13.00	CH33-49	EL296UH110XE60C	5991379
XC21-048-230	TXV	49,500	17.00	13.00	CH33-49	EL296UH110XV48C	5991054
XC21-048-230	TXV	49,500	17.00	13.00	CH33-49	EL296UH110XV60C	5991076
XC21-048-230	TXV	49,500	17.00	13.00	CH33-49	SL280UH090V60C	5991220
XC21-048-230	TXV	49,500	17.00	13.00	CH33-49	SL280UH090XV60C	5991282
XC21-048-230	TXV	49,500	17.00	13.00	CH33-49	SL280UH110V60C	5991221
XC21-048-230	TXV	49,500	17.00	13.00	CH33-49	SL280UH110XV60C	5991298
XC21-048-230	TXV	49,500	17.00	13.00	CH33-49	SLP98UH090XV48C	5991234
XC21-048-230	TXV	49,500	17.00	13.00	CH33-49	SLP98UH090XV60C	5991222
XC21-048-230	TXV	49,500	17.00	13.00	CH33-49	SLP98UH110XV60C	5991235
XC21-048-230	TXV	49,000	16.00	12.50	CH33-50/60C		5990984
XC21-048-230	TXV	48,000	17.00	12.50	CH33-50/60C	EL180UH090E60C	5991417
XC21-048-230	TXV	48,500	17.00	13.00	CH33-50/60C	EL180UH110E60C	5991410
XC21-048-230	TXV	49,000	17.00	13.00	CH33-50/60C	EL195UH090XE48C	5991119
XC21-048-230	TXV	49,000	17.00	13.00	CH33-50/60C	EL195UH110XE60C	5991159
XC21-048-230	TXV	49,000	17.00	13.00	CH33-50/60C	EL296UH090XE48C	5991362
XC21-048-230	TXV	49,000	17.00	12.50	CH33-50/60C	EL296UH090XV48C	5991020
XC21-048-230	TXV	49,000	17.00	12.50	CH33-50/60C	EL296UH090XV60C	5991037
XC21-048-230	TXV	49,000	17.00	13.00	CH33-50/60C	EL296UH110XE60C	5991380
XC21-048-230	TXV	49,000	17.00	13.00	CH33-50/60C	EL296UH110XV48C	5991386
XC21-048-230	TXV	49,000	17.00	12.50	CH33-50/60C	EL296UH110XV60C	5991077
XC21-048-230	TXV	49,500	17.00	13.00	CH33-50/60C	SL280UH090V60C	5991236
XC21-048-230	TXV	49,500	17.00	13.00	CH33-50/60C	SL280UH090XV60C	5991283
XC21-048-230	TXV	49,000	17.00	13.00	CH33-50/60C	SL280UH110V60C	5991237
XC21-048-230	TXV	49,000	17.00	13.00	CH33-50/60C	SL280UH110XV60C	5991299
XC21-048-230	TXV	49,000	17.00	12.50	CH33-50/60C	SLP98UH090XV48C	5991239
XC21-048-230	TXV	49,000	17.00	12.50	CH33-50/60C	SLP98UH090XV60C	5991238
XC21-048-230	TXV	49,500	17.00	13.00	CH33-50/60C	SLP98UH110XV60C	5991240
XC21-048-230	TXV	48,500	16.00	12.00	CH33-60D		5990985
XC21-048-230	TXV	48,500	17.00	13.00	CH33-60D	EL296UH135XV60D	5991309
XC21-048-230	TXV	49,000	17.00	13.00	CH33-60D	SL280UH135V60D	5991241
XC21-048-230	TXV	49,000	17.00	13.00	CH33-60D	SLP98UH135XV60D	5991242
XC21-048-230	TXV	48,500	16.00	12.50	CH33-62D		5990986
XC21-048-230	TXV	48,500	17.00	13.00	CH33-62D	EL296UH135XV60D	5991310

### NOTES:

TXV = Matched with Thermostatic Expansion Valve.

RFC = Matched with RFC metering device.

All matches with EL195E and ML180E gas furnaces require the use of a Blower Motor Relay Kit (**85W66**) for proper unit operation.

Ratings are AHRI Certified to AHRI Standard 210/240 (with 25 ft. of connecting refrigerant lines); 95°F outdoor air temperature, 80°F db / 67°F wb entering evaporator air. All ratings include the use of a blower time delay relay (TDR). All Lennox variable-speed furnaces and Air Handlers have time delay capabilities. Other Furnaces and Air Handlers may require an optional time delay relay (**58M81**) for field installation. See furnace or air handler specifications to determine if relay is needed.

Also see Expansion Valve Kit Usage Table.

## AHRI SYSTEM MATCHES

NOTE - For the latest up-to-date system matches please visit the AHRI web site at <http://www.ahridirectory.org>

Model No.	Expansion Device	Capacity	SEER	EER	Coil or Air Handler	Furnace	AHRI Reference
XC21-048-230	TXV	49,000	17.00	13.00	CH33-62D	SL280UH135V60D	5991243
XC21-048-230	TXV	49,000	17.00	13.00	CH33-62D	SLP98UH135XV60D	5991244
XC21-048-230	TXV	48,000	16.00	12.50	CH35-42B		7164729
XC21-048-230	TXV	48,000	17.00	13.00	CH35-42B	SL280UH090V48B	7164726
XC21-048-230	TXV	48,000	17.00	13.00	CH35-42B	SL280UH090XV48B	7164727
XC21-048-230	TXV	48,000	16.00	12.50	CH35-42C		7164730
XC21-048-230	TXV	48,000	17.00	13.00	CH35-42C	EL180UH090E60C	7164741
XC21-048-230	TXV	48,000	17.00	13.00	CH35-42C	EL180UH110E60C	7164742
XC21-048-230	TXV	48,000	17.00	13.00	CH35-42C	EL195UH090XE48C	7164731
XC21-048-230	TXV	48,000	17.00	13.00	CH35-42C	EL195UH110XE60C	7164733
XC21-048-230	TXV	48,000	17.00	13.00	CH35-42C	EL296UH090XE48C	7164732
XC21-048-230	TXV	48,000	17.00	12.50	CH35-42C	EL296UH090XV48C	7164736
XC21-048-230	TXV	48,000	17.00	12.50	CH35-42C	EL296UH090XV60C	7164737
XC21-048-230	TXV	48,000	17.00	13.00	CH35-42C	EL296UH110XE60C	7164735
XC21-048-230	TXV	48,000	17.00	13.00	CH35-42C	EL296UH110XV48C	7164738
XC21-048-230	TXV	48,000	17.00	12.50	CH35-42C	EL296UH110XV60C	7164739
XC21-048-230	TXV	48,000	16.00	12.50	CH35-48B		7164745
XC21-048-230	TXV	48,000	17.00	12.50	CH35-48B	SL280UH090V48B	7164743
XC21-048-230	TXV	48,000	17.00	12.50	CH35-48B	SL280UH090XV48B	7164744
XC21-048-230	TXV	48,000	16.00	12.50	CH35-48C		7164746
XC21-048-230	TXV	48,000	17.00	13.00	CH35-48C	EL180UH090E60C	7164757
XC21-048-230	TXV	48,000	17.00	13.00	CH35-48C	EL180UH110E60C	7164758
XC21-048-230	TXV	48,000	17.00	12.50	CH35-48C	EL195UH090XE48C	7164748
XC21-048-230	TXV	48,000	17.00	13.00	CH35-48C	EL195UH110XE60C	7164750
XC21-048-230	TXV	48,000	17.00	12.50	CH35-48C	EL296UH090XE48C	7164749
XC21-048-230	TXV	48,000	17.00	12.50	CH35-48C	EL296UH090XV48C	7164752
XC21-048-230	TXV	48,000	17.00	12.50	CH35-48C	EL296UH090XV60C	7164753
XC21-048-230	TXV	48,000	17.00	13.00	CH35-48C	EL296UH110XE60C	7164751
XC21-048-230	TXV	48,000	17.00	13.00	CH35-48C	EL296UH110XV48C	7164754
XC21-048-230	TXV	48,000	17.00	12.50	CH35-48C	EL296UH110XV60C	7164756
XC21-048-230	TXV	48,000	17.00	13.00	CH35-48C	SL280UH090V60C	7164759
XC21-048-230	TXV	48,000	17.00	13.00	CH35-48C	SL280UH090XV60C	7164761
XC21-048-230	TXV	48,000	17.00	13.00	CH35-48C	SL280UH110V60C	7164764
XC21-048-230	TXV	48,000	17.00	13.00	CH35-48C	SL280UH110XV60C	7164766
XC21-048-230	TXV	48,000	17.00	12.50	CH35-48C	SLP98UH090XV48C	7164768
XC21-048-230	TXV	48,000	17.00	12.50	CH35-48C	SLP98UH090XV60C	7164770
XC21-048-230	TXV	48,000	17.00	12.50	CH35-48C	SLP98UH110XV60C	7164771
XC21-048-230	TXV	48,000	16.00	12.50	CH35-51C		7164773
XC21-048-230	TXV	48,000	18.00	13.00	CH35-51C	CBWMV-60C-100	7164775
XC21-048-230	TXV	48,000	17.00	13.00	CH35-51C	EL180UH090E60C	7164790
XC21-048-230	TXV	48,000	17.00	13.00	CH35-51C	EL180UH110E60C	7164791
XC21-048-230	TXV	48,000	17.00	13.00	CH35-51C	EL195UH090XE48C	7164777
XC21-048-230	TXV	48,000	17.00	13.00	CH35-51C	EL195UH110XE60C	7164780
XC21-048-230	TXV	48,000	17.00	13.00	CH35-51C	EL296UH090XE48C	7164778
XC21-048-230	TXV	48,000	17.00	13.00	CH35-51C	EL296UH090XV48C	7164783
XC21-048-230	TXV	48,000	17.00	13.00	CH35-51C	EL296UH090XV60C	7164784
XC21-048-230	TXV	48,000	17.00	13.00	CH35-51C	EL296UH110XE60C	7164782
XC21-048-230	TXV	48,000	17.00	13.00	CH35-51C	EL296UH110XV48C	7164786

### NOTES:

TXV = Matched with Thermostatic Expansion Valve.

RFC = Matched with RFC metering device.

All matches with EL195E and ML180E gas furnaces require the use of a Blower Motor Relay Kit (**85W66**) for proper unit operation.

Ratings are AHRI Certified to AHRI Standard 210/240 (with 25 ft. of connecting refrigerant lines); 95°F outdoor air temperature, 80°F db / 67°F wb entering evaporator air. All ratings include the use of a blower time delay relay (TDR). All Lennox variable-speed furnaces and Air Handlers have time delay capabilities. Other Furnaces and Air Handlers may require an optional time delay relay (**58M81**) for field installation. See furnace or air handler specifications to determine if relay is needed.

Also see Expansion Valve Kit Usage Table.



## AHRI SYSTEM MATCHES

NOTE - For the latest up-to-date system matches please visit the AHRI web site at <http://www.ahridirectory.org>

Model No.	Expansion Device	Capacity	SEER	EER	Coil or Air Handler	Furnace	AHRI Reference
XC21-048-230	TXV	48,000	17.00	13.00	CH35-51C	EL296UH110XV60C	7164788
XC21-048-230	TXV	48,000	18.00	13.00	CH35-51C	SL280UH090V60C	7164793
XC21-048-230	TXV	48,000	18.00	13.00	CH35-51C	SL280UH090XV60C	7164795
XC21-048-230	TXV	48,000	17.00	13.00	CH35-51C	SL280UH110V60C	7164797
XC21-048-230	TXV	48,000	17.00	13.00	CH35-51C	SL280UH110XV60C	7164798
XC21-048-230	TXV	48,000	17.00	13.00	CH35-51C	SLP98UH090XV48C	7164800
XC21-048-230	TXV	48,000	17.00	13.00	CH35-51C	SLP98UH090XV60C	7164802
XC21-048-230	TXV	48,000	17.00	13.00	CH35-51C	SLP98UH110XV60C	7164804
XC21-048-230	TXV	48,000	16.00	12.50	CH35-60D		7164806
XC21-048-230	TXV	48,000	17.00	13.00	CH35-60D	EL296UH135XV60D	7164807
XC21-048-230	TXV	48,000	17.00	13.00	CH35-60D	SL280UH135V60D	7164809
XC21-048-230	TXV	48,000	17.00	13.00	CH35-60D	SLP98UH135XV60D	7164810
XC21-048-230	TXV	47,500	15.70	12.20	CR33-48		5990960
XC21-048-230	TXV	48,000	17.00	13.00	CR33-48	EL180DF110E60C	5991387
XC21-048-230	TXV	47,000	16.00	12.00	CR33-48	EL195DF070XE48B	5991160
XC21-048-230	TXV	47,500	16.00	12.50	CR33-48	EL195DF090XE48C	5991161
XC21-048-230	TXV	48,500	17.00	13.00	CR33-48	EL195DF110XE60C	5991164
XC21-048-230	TXV	47,000	16.00	12.00	CR33-48	EL296DF070XE48B	5991381
XC21-048-230	TXV	47,500	16.00	12.50	CR33-48	EL296DF090XE48C	5991382
XC21-048-230	TXV	47,500	17.00	12.00	CR33-48	EL296DF090XV60C	5991078
XC21-048-230	TXV	48,500	17.00	13.00	CR33-48	EL296DF110XE60C	5991385
XC21-048-230	TXV	48,500	16.00	12.50	CR33-50/60		5990961
XC21-048-230	TXV	49,000	18.00	13.00	CR33-50/60	EL180DF110E60C	5991388
XC21-048-230	TXV	48,500	17.00	12.50	CR33-50/60	EL195DF090XE48C	5991162
XC21-048-230	TXV	48,500	17.00	13.00	CR33-50/60	EL195DF110XE60C	5991163
XC21-048-230	TXV	48,500	17.00	12.50	CR33-50/60	EL296DF090XE48C	5991383
XC21-048-230	TXV	49,000	17.00	12.50	CR33-50/60	EL296DF090XV60C	5991079
XC21-048-230	TXV	48,500	17.00	13.00	CR33-50/60	EL296DF110XE60C	5991384
XC21-048-230	TXV	49,000	17.00	13.00	CR33-50/60	EL296DF110XV60C	5991316
XC21-048-230	TXV	49,000	18.00	13.00	CR33-50/60	SL280DF090V60C	5991256
XC21-048-230	TXV	49,000	18.00	13.00	CR33-50/60	SL280DF110V60C	5991257
XC21-048-230	TXV	49,000	17.00	12.50	CR33-50/60	SLP98DF090XV48C	5991259
XC21-048-230	TXV	49,000	17.00	12.50	CR33-50/60	SLP98DF090XV60C	5991258
XC21-048-230	TXV	49,000	17.00	13.00	CR33-50/60	SLP98DF110XV60C	5991260
XC21-048-230	TXV	48,500	16.00	12.50	CR33-60		5990976
XC21-048-230	TXV	48,000	16.00	12.00	CX34-43		5990962
XC21-048-230	TXV	48,000	17.00	12.50	CX34-43	EL180UH090E60C	5991412
XC21-048-230	TXV	48,000	17.00	13.00	CX34-43	EL180UH110E60C	5991390
XC21-048-230	TXV	48,000	17.00	12.50	CX34-43	EL195UH090XE48C	5991092
XC21-048-230	TXV	48,000	17.00	12.50	CX34-43	EL195UH110XE60C	5991121
XC21-048-230	TXV	48,000	17.00	12.50	CX34-43	EL296UH090XE48C	5991346
XC21-048-230	TXV	48,000	17.00	12.50	CX34-43	EL296UH090XV48C	5991006
XC21-048-230	TXV	48,500	17.00	12.50	CX34-43	EL296UH090XV60C	5991022
XC21-048-230	TXV	48,000	17.00	12.50	CX34-43	EL296UH110XE60C	5991364
XC21-048-230	TXV	48,000	17.00	12.50	CX34-43	EL296UH110XV48C	5991039
XC21-048-230	TXV	48,000	17.00	12.50	CX34-43	EL296UH110XV60C	5991056
XC21-048-230	TXV	48,000	17.00	12.50	CX34-43	SL280UH090V48B	5991247
XC21-048-230	TXV	48,500	17.00	13.00	CX34-43	SL280UH090V60C	5991064

### NOTES:

TXV = Matched with Thermostatic Expansion Valve.

RFC = Matched with RFC metering device.

All matches with EL195E and ML180E gas furnaces require the use of a Blower Motor Relay Kit (**85W66**) for proper unit operation.

Ratings are AHRI Certified to AHRI Standard 210/240 (with 25 ft. of connecting refrigerant lines); 95°F outdoor air temperature, 80°F db / 67°F wb entering evaporator air. All ratings include the use of a blower time delay relay (TDR). All Lennox variable-speed furnaces and Air Handlers have time delay capabilities. Other Furnaces and Air Handlers may require an optional time delay relay (**58M81**) for field installation. See furnace or air handler specifications to determine if relay is needed.

Also see Expansion Valve Kit Usage Table.

## AHRI SYSTEM MATCHES

NOTE - For the latest up-to-date system matches please visit the AHRI web site at <http://www.ahridirectory.org>

Model No.	Expansion Device	Capacity	SEER	EER	Coil or Air Handler	Furnace	AHRI Reference
XC21-048-230	TXV	48,000	17.00	12.50	CX34-43	SL280UH090XV48B	5991248
XC21-048-230	TXV	48,500	17.00	13.00	CX34-43	SL280UH090XV60C	5991268
XC21-048-230	TXV	48,500	17.00	13.00	CX34-43	SL280UH110V60C	5991066
XC21-048-230	TXV	48,500	17.00	13.00	CX34-43	SL280UH110XV60C	5991284
XC21-048-230	TXV	48,000	17.00	12.50	CX34-43	SLP98UH090XV48C	5991068
XC21-048-230	TXV	48,500	17.00	12.50	CX34-43	SLP98UH090XV60C	5991081
XC21-048-230	TXV	48,500	17.00	12.50	CX34-43	SLP98UH110XV60C	5991083
XC21-048-230	TXV	47,500	15.70	12.00	CX34-44/48		5990964
XC21-048-230	TXV	48,000	17.00	12.50	CX34-44/48	CBWMV-60C-100	5990988
XC21-048-230	TXV	47,500	17.00	12.50	CX34-44/48	CBWMV-60C-120	5990990
XC21-048-230	TXV	48,000	17.00	12.50	CX34-44/48	EL180UH090E48B	5991405
XC21-048-230	TXV	47,500	17.00	12.50	CX34-44/48	EL180UH090E60C	5991414
XC21-048-230	TXV	47,500	17.00	12.50	CX34-44/48	EL180UH110E60C	5991392
XC21-048-230	TXV	47,500	16.00	12.50	CX34-44/48	EL195UH090XE48C	5991094
XC21-048-230	TXV	47,500	17.00	12.50	CX34-44/48	EL195UH110XE60C	5991123
XC21-048-230	TXV	47,500	16.00	12.50	CX34-44/48	EL296UH090XE48C	5991348
XC21-048-230	TXV	47,500	17.00	12.50	CX34-44/48	EL296UH090XV48C	5991008
XC21-048-230	TXV	48,000	17.00	12.50	CX34-44/48	EL296UH090XV60C	5991024
XC21-048-230	TXV	47,500	17.00	12.50	CX34-44/48	EL296UH110XE60C	5991366
XC21-048-230	TXV	47,500	17.00	12.50	CX34-44/48	EL296UH110XV48C	5991041
XC21-048-230	TXV	47,500	17.00	12.50	CX34-44/48	EL296UH110XV60C	5991058
XC21-048-230	TXV	48,000	17.00	12.50	CX34-44/48	SL280UH090V48B	5991251
XC21-048-230	TXV	48,000	17.00	12.50	CX34-44/48	SL280UH090V60C	5991085
XC21-048-230	TXV	48,000	17.00	12.50	CX34-44/48	SL280UH090XV48B	5991252
XC21-048-230	TXV	48,000	17.00	12.50	CX34-44/48	SL280UH090XV60C	5991270
XC21-048-230	TXV	47,500	17.00	12.50	CX34-44/48	SL280UH110V60C	5991087
XC21-048-230	TXV	47,500	17.00	12.50	CX34-44/48	SL280UH110XV60C	5991286
XC21-048-230	TXV	47,500	17.00	12.50	CX34-44/48	SLP98UH090XV48C	5991102
XC21-048-230	TXV	48,000	17.00	12.50	CX34-44/48	SLP98UH090XV60C	5991089
XC21-048-230	TXV	48,000	17.00	12.50	CX34-44/48	SLP98UH110XV60C	5991104
XC21-048-230	TXV	48,500	16.00	12.00	CX34-49		5990966
XC21-048-230	TXV	49,000	17.00	13.00	CX34-49	CBWMV-60C-100	5990992
XC21-048-230	TXV	49,000	17.00	13.00	CX34-49	CBWMV-60C-120	5990994
XC21-048-230	TXV	48,500	17.00	13.00	CX34-49	EL180UH090E60C	5991416
XC21-048-230	TXV	48,500	17.00	13.00	CX34-49	EL180UH110E60C	5991394
XC21-048-230	TXV	48,500	17.00	12.50	CX34-49	EL195UH090XE48C	5991096
XC21-048-230	TXV	48,500	17.00	12.50	CX34-49	EL195UH110XE60C	5991136
XC21-048-230	TXV	48,500	17.00	12.50	CX34-49	EL296UH090XE48C	5991350
XC21-048-230	TXV	49,000	17.00	13.00	CX34-49	EL296UH090XV48C	5991010
XC21-048-230	TXV	49,000	17.00	13.00	CX34-49	EL296UH090XV60C	5991026
XC21-048-230	TXV	48,500	17.00	12.50	CX34-49	EL296UH110XE60C	5991368
XC21-048-230	TXV	49,000	17.00	13.00	CX34-49	EL296UH110XV48C	5991043
XC21-048-230	TXV	49,000	17.00	13.00	CX34-49	EL296UH110XV60C	5991060
XC21-048-230	TXV	49,000	17.70	13.00	CX34-49	SL280UH090V60C	5990987
XC21-048-230	TXV	49,000	17.00	13.00	CX34-49	SL280UH090XV60C	5991272
XC21-048-230	TXV	49,000	17.00	13.00	CX34-49	SL280UH110V60C	5991106
XC21-048-230	TXV	49,000	17.00	13.00	CX34-49	SL280UH110XV60C	5991288
XC21-048-230	TXV	49,000	17.00	13.00	CX34-49	SLO185B124/141V60	7109986

### NOTES:

TXV = Matched with Thermostatic Expansion Valve.

RFC = Matched with RFC metering device.

All matches with EL195E and ML180E gas furnaces require the use of a Blower Motor Relay Kit (**85W66**) for proper unit operation.

Ratings are AHRI Certified to AHRI Standard 210/240 (with 25 ft. of connecting refrigerant lines); 95°F outdoor air temperature, 80°F db / 67°F wb entering evaporator air. All ratings include the use of a blower time delay relay (TDR). All Lennox variable-speed furnaces and Air Handlers have time delay capabilities. Other Furnaces and Air Handlers may require an optional time delay relay (**58M81**) for field installation. See furnace or air handler specifications to determine if relay is needed.

Also see Expansion Valve Kit Usage Table.

## AHRI SYSTEM MATCHES

NOTE - For the latest up-to-date system matches please visit the AHRI web site at <http://www.ahridirectory.org>

Model No.	Expansion Device	Capacity	SEER	EER	Coil or Air Handler	Furnace	AHRI Reference
XC21-048-230	TXV	49,000	17.00	13.00	CX34-49	SLO185UF124/141V60	7109975
XC21-048-230	TXV	49,000	17.00	13.00	CX34-49	SLP98UH090XV48C	5991110
XC21-048-230	TXV	49,000	17.00	13.00	CX34-49	SLP98UH090XV60C	5991108
XC21-048-230	TXV	49,000	17.00	13.00	CX34-49	SLP98UH110XV60C	5991112
XC21-048-230	TXV	48,000	16.00	12.00	CX34-50/60C		5990968
XC21-048-230	TXV	48,500	17.00	12.50	CX34-50/60C	CBWMV-60C-100	5990996
XC21-048-230	TXV	48,000	17.00	12.50	CX34-50/60C	CBWMV-60C-120	5990998
XC21-048-230	TXV	48,000	17.00	12.50	CX34-50/60C	EL180UH090E60C	5991418
XC21-048-230	TXV	48,000	17.00	13.00	CX34-50/60C	EL180UH110E60C	5991396
XC21-048-230	TXV	48,000	17.00	12.50	CX34-50/60C	EL195UH090XE48C	5991098
XC21-048-230	TXV	48,000	17.00	12.50	CX34-50/60C	EL195UH110XE60C	5991138
XC21-048-230	TXV	48,000	17.00	12.50	CX34-50/60C	EL296UH090XE48C	5991352
XC21-048-230	TXV	48,500	17.00	12.50	CX34-50/60C	EL296UH090XV48C	5991301
XC21-048-230	TXV	48,500	17.00	12.50	CX34-50/60C	EL296UH090XV60C	5991027
XC21-048-230	TXV	48,000	17.00	12.50	CX34-50/60C	EL296UH110XE60C	5991370
XC21-048-230	TXV	48,500	17.00	12.50	CX34-50/60C	EL296UH110XV48C	5991045
XC21-048-230	TXV	48,500	17.00	12.50	CX34-50/60C	EL296UH110XV60C	5991062
XC21-048-230	TXV	48,500	17.00	12.50	CX34-50/60C	SL280UH090V60C	5991125
XC21-048-230	TXV	48,500	17.00	12.50	CX34-50/60C	SL280UH090XV60C	5991274
XC21-048-230	TXV	48,500	17.00	12.50	CX34-50/60C	SL280UH110V60C	5991127
XC21-048-230	TXV	48,500	17.00	12.50	CX34-50/60C	SL280UH110XV60C	5991290
XC21-048-230	TXV	48,500	17.00	12.50	CX34-50/60C	SLO185B124/141V60	7109987
XC21-048-230	TXV	48,500	17.00	12.50	CX34-50/60C	SLO185UF124/141V60	7109976
XC21-048-230	TXV	48,500	17.00	12.50	CX34-50/60C	SLP98UH090XV48C	5991131
XC21-048-230	TXV	48,500	17.00	12.50	CX34-50/60C	SLP98UH090XV60C	5991129
XC21-048-230	TXV	48,500	17.00	12.50	CX34-50/60C	SLP98UH110XV60C	5991133
XC21-048-230	TXV	48,500	16.00	12.00	CX34-60D		5990970
XC21-048-230	TXV	48,500	17.00	13.00	CX34-60D	EL296UH135XV60D	5991303
XC21-048-230	TXV	49,000	17.00	13.00	CX34-60D	SL280UH135V60D	5991146
XC21-048-230	TXV	49,000	17.00	13.00	CX34-60D	SLO185B124/141V60	7109989
XC21-048-230	TXV	49,000	17.00	13.00	CX34-60D	SLO185UF124/141V60	7109979
XC21-048-230	TXV	49,000	17.00	13.00	CX34-60D	SLP98UH135XV60D	5991148
XC21-048-230	TXV	50,000	16.00	12.50	CX34-62C		5990972
XC21-048-230	TXV	50,500	18.00	13.00	CX34-62C	CBWMV-60C-100	5991001
XC21-048-230	TXV	50,500	18.00	13.00	CX34-62C	CBWMV-60C-120	5991003
XC21-048-230	TXV	50,000	18.00	13.50	CX34-62C	EL180UH090E60C	5991420
XC21-048-230	TXV	50,000	17.00	13.50	CX34-62C	EL180UH110E60C	5991398
XC21-048-230	TXV	50,000	17.00	13.00	CX34-62C	EL195UH090XE48C	5991100
XC21-048-230	TXV	50,000	17.00	13.00	CX34-62C	EL195UH110XE60C	5991140
XC21-048-230	TXV	50,000	17.00	13.00	CX34-62C	EL296UH090XE48C	5991354
XC21-048-230	TXV	50,500	18.00	13.00	CX34-62C	EL296UH090XV48C	5991012
XC21-048-230	TXV	50,500	18.00	13.00	CX34-62C	EL296UH090XV60C	5991029
XC21-048-230	TXV	50,000	17.00	13.00	CX34-62C	EL296UH110XE60C	5991372
XC21-048-230	TXV	50,500	18.00	13.50	CX34-62C	EL296UH110XV48C	5991047
XC21-048-230	TXV	50,500	18.00	13.00	CX34-62C	EL296UH110XV60C	5991069
XC21-048-230	TXV	50,500	18.00	13.50	CX34-62C	SL280UH090V60C	5991150
XC21-048-230	TXV	50,500	18.00	13.50	CX34-62C	SL280UH090XV60C	5991276
XC21-048-230	TXV	50,500	18.00	13.50	CX34-62C	SL280UH110V60C	5991152

### NOTES:

TXV = Matched with Thermostatic Expansion Valve.

RFC = Matched with RFC metering device.

All matches with EL195E and ML180E gas furnaces require the use of a Blower Motor Relay Kit (**85W66**) for proper unit operation.

Ratings are AHRI Certified to AHRI Standard 210/240 (with 25 ft. of connecting refrigerant lines); 95°F outdoor air temperature, 80°F db / 67°F wb entering evaporator air. All ratings include the use of a blower time delay relay (TDR). All Lennox variable-speed furnaces and Air Handlers have time delay capabilities. Other Furnaces and Air Handlers may require an optional time delay relay (**58M81**) for field installation. See furnace or air handler specifications to determine if relay is needed.

Also see Expansion Valve Kit Usage Table.

## AHRI SYSTEM MATCHES

NOTE - For the latest up-to-date system matches please visit the AHRI web site at <http://www.ahridirectory.org>

Model No.	Expansion Device	Capacity	SEER	EER	Coil or Air Handler	Furnace	AHRI Reference
XC21-048-230	TXV	50,500	18.00	13.50	CX34-62C	SL280UH110XV60C	5991292
XC21-048-230	TXV	50,500	18.00	13.50	CX34-62C	SLO185B124/141V60	7109988
XC21-048-230	TXV	50,500	18.00	13.50	CX34-62C	SLO185UF124/141V60	7109977
XC21-048-230	TXV	50,500	18.00	13.00	CX34-62C	SLP98UH090XV48C	5991156
XC21-048-230	TXV	50,500	18.00	13.00	CX34-62C	SLP98UH090XV60C	5991154
XC21-048-230	TXV	50,500	18.00	13.00	CX34-62C	SLP98UH110XV60C	5991169
XC21-048-230	TXV	49,000	16.00	12.50	CX34-62D		5990974
XC21-048-230	TXV	49,000	18.00	13.00	CX34-62D	EL296UH135XV60D	5991305
XC21-048-230	TXV	49,500	18.00	13.00	CX34-62D	SL280UH135V60D	5991171
XC21-048-230	TXV	49,500	17.00	13.00	CX34-62D	SLO185B124/141V60	7109990
XC21-048-230	TXV	49,500	17.00	13.00	CX34-62D	SLO185UF124/141V60	7109980
XC21-048-230	TXV	49,500	17.00	13.00	CX34-62D	SLP98UH135XV60D	5991173
XC21-048-230	TXV	48,000	16.00	12.00	CX35-48B		8251568
XC21-048-230	TXV	48,000	17.00	12.50	CX35-48B	EL180UH090E60C	8251565
XC21-048-230	TXV	48,000	17.00	12.50	CX35-48B	SL280UH090V48B	8251566
XC21-048-230	TXV	48,000	17.00	12.50	CX35-48B	SL280UH090XV48B	8251567
XC21-048-230	TXV	48,000	16.00	12.00	CX35-48C		8251588
XC21-048-230	TXV	48,000	17.00	12.50	CX35-48C	CBWMV-60C-100	8251569
XC21-048-230	TXV	48,000	17.00	12.50	CX35-48C	CBWMV-60C-120	8251570
XC21-048-230	TXV	48,000	17.00	12.50	CX35-48C	EL180UH090E60C	8251571
XC21-048-230	TXV	48,000	17.00	13.00	CX35-48C	EL180UH110E60C	8251572
XC21-048-230	TXV	48,000	17.00	12.50	CX35-48C	EL195UH090XE48C	8251573
XC21-048-230	TXV	48,000	17.00	12.50	CX35-48C	EL195UH110XE60C	8251574
XC21-048-230	TXV	48,000	17.00	12.50	CX35-48C	EL296UH090XE48C	8251577
XC21-048-230	TXV	48,000	17.00	12.50	CX35-48C	EL296UH090XV48C	8251575
XC21-048-230	TXV	48,000	17.00	12.50	CX35-48C	EL296UH090XV60C	8251576
XC21-048-230	TXV	48,000	17.00	12.50	CX35-48C	EL296UH110XE60C	8251580
XC21-048-230	TXV	48,000	17.00	12.50	CX35-48C	EL296UH110XV48C	8251578
XC21-048-230	TXV	48,000	17.00	12.50	CX35-48C	EL296UH110XV60C	8251579
XC21-048-230	TXV	48,000	17.00	12.50	CX35-48C	SL280UH090V60C	8251581
XC21-048-230	TXV	48,000	17.00	12.50	CX35-48C	SL280UH090XV60C	8251582
XC21-048-230	TXV	48,000	17.00	12.50	CX35-48C	SL280UH110V60C	8251583
XC21-048-230	TXV	48,000	17.00	12.50	CX35-48C	SL280UH110XV60C	8251584
XC21-048-230	TXV	48,000	17.00	12.50	CX35-48C	SLP98UH090XV48C	8251585
XC21-048-230	TXV	48,000	17.00	12.50	CX35-48C	SLP98UH090XV60C	8251586
XC21-048-230	TXV	48,000	17.00	12.50	CX35-48C	SLP98UH110XV60C	8251587
XC21-048-230	TXV	47,500	15.70	12.00	CX35-49C		8251608
XC21-048-230	TXV	48,000	17.00	12.50	CX35-49C	CBWMV-60C-100	8251589
XC21-048-230	TXV	48,000	17.00	12.50	CX35-49C	CBWMV-60C-120	8251590
XC21-048-230	TXV	48,000	17.00	13.00	CX35-49C	EL180UH090E60C	8251591
XC21-048-230	TXV	48,000	17.00	13.00	CX35-49C	EL180UH110E60C	8251592
XC21-048-230	TXV	48,000	17.00	12.50	CX35-49C	EL195UH090XE48C	8251593
XC21-048-230	TXV	48,000	17.00	12.50	CX35-49C	EL195UH110XE60C	8251594
XC21-048-230	TXV	48,000	17.00	12.50	CX35-49C	EL296UH090XE48C	8251597
XC21-048-230	TXV	48,000	17.00	12.50	CX35-49C	EL296UH090XV48C	8251595
XC21-048-230	TXV	48,000	17.00	12.50	CX35-49C	EL296UH090XV60C	8251596
XC21-048-230	TXV	48,000	17.00	12.50	CX35-49C	EL296UH110XE60C	8251600
XC21-048-230	TXV	48,000	17.00	13.00	CX35-49C	EL296UH110XV48C	8251598

### NOTES:

TXV = Matched with Thermostatic Expansion Valve.

RFC = Matched with RFC metering device.

All matches with EL195E and ML180E gas furnaces require the use of a Blower Motor Relay Kit (**85W66**) for proper unit operation.

Ratings are AHRI Certified to AHRI Standard 210/240 (with 25 ft. of connecting refrigerant lines); 95°F outdoor air temperature, 80°F db / 67°F wb entering evaporator air. All ratings include the use of a blower time delay relay (TDR). All Lennox variable-speed furnaces and Air Handlers have time delay capabilities. Other Furnaces and Air Handlers may require an optional time delay relay (**58M81**) for field installation. See furnace or air handler specifications to determine if relay is needed.

Also see Expansion Valve Kit Usage Table.



## AHRI SYSTEM MATCHES

NOTE - For the latest up-to-date system matches please visit the AHRI web site at <http://www.ahridirectory.org>

Model No.	Expansion Device	Capacity	SEER	EER	Coil or Air Handler	Furnace	AHRI Reference
XC21-048-230	TXV	48,000	17.00	12.50	CX35-49C	EL296UH110XV60C	8251599
XC21-048-230	TXV	48,000	17.00	13.00	CX35-49C	SL280UH090V60C	8251601
XC21-048-230	TXV	48,000	17.00	13.00	CX35-49C	SL280UH090XV60C	8251602
XC21-048-230	TXV	48,000	17.00	13.00	CX35-49C	SL280UH110V60C	8251603
XC21-048-230	TXV	48,000	17.00	13.00	CX35-49C	SL280UH110XV60C	8251604
XC21-048-230	TXV	48,000	17.00	12.50	CX35-49C	SLP98UH090XV48C	8251605
XC21-048-230	TXV	48,000	17.00	12.50	CX35-49C	SLP98UH090XV60C	8251606
XC21-048-230	TXV	48,000	17.00	12.50	CX35-49C	SLP98UH110XV60C	8251607
XC21-048-230	TXV	48,000	15.70	12.00	CX35-50/60C		8251630
XC21-048-230	TXV	48,000	17.00	12.50	CX35-50/60C	CBWMV-60C-100	8251609
XC21-048-230	TXV	48,000	17.00	12.50	CX35-50/60C	CBWMV-60C-120	8251610
XC21-048-230	TXV	48,000	17.00	12.50	CX35-50/60C	EL180UH090E60C	8251611
XC21-048-230	TXV	47,000	17.00	12.50	CX35-50/60C	EL180UH110E60C	8251612
XC21-048-230	TXV	48,000	16.50	12.50	CX35-50/60C	EL195UH090XE48C	8251613
XC21-048-230	TXV	48,000	17.00	12.50	CX35-50/60C	EL195UH110XE60C	8251614
XC21-048-230	TXV	48,000	16.50	12.50	CX35-50/60C	EL296UH090XE48C	8251616
XC21-048-230	TXV	47,500	17.00	12.50	CX35-50/60C	EL296UH090XV48C	8251617
XC21-048-230	TXV	48,000	17.00	12.50	CX35-50/60C	EL296UH090XV60C	8251615
XC21-048-230	TXV	48,000	17.00	12.50	CX35-50/60C	EL296UH110XE60C	8251620
XC21-048-230	TXV	47,500	17.00	12.50	CX35-50/60C	EL296UH110XV48C	8251618
XC21-048-230	TXV	47,500	17.00	12.50	CX35-50/60C	EL296UH110XV60C	8251619
XC21-048-230	TXV	47,500	17.00	12.50	CX35-50/60C	SL280UH090V60C	8251621
XC21-048-230	TXV	47,500	17.00	12.50	CX35-50/60C	SL280UH090XV60C	8251622
XC21-048-230	TXV	47,500	17.00	12.50	CX35-50/60C	SL280UH110V60C	8251623
XC21-048-230	TXV	47,500	17.00	12.50	CX35-50/60C	SL280UH110XV60C	8251624
XC21-048-230	TXV	47,500	17.00	12.50	CX35-50/60C	SLO185B124/141V60	8251625
XC21-048-230	TXV	47,500	16.00	12.50	CX35-50/60C	SLO185UF124/141V60	8251626
XC21-048-230	TXV	47,500	17.00	12.50	CX35-50/60C	SLP98UH090XV48C	8251627
XC21-048-230	TXV	47,500	17.00	12.50	CX35-50/60C	SLP98UH090XV60C	8251628
XC21-048-230	TXV	48,000	17.00	12.50	CX35-50/60C	SLP98UH110XV60C	8251629
XC21-048-230	TXV	48,000	16.00	12.50	CX35-60C		8251652
XC21-048-230	TXV	48,000	18.00	13.00	CX35-60C	CBWMV-60C-100	8251631
XC21-048-230	TXV	48,000	18.00	13.00	CX35-60C	CBWMV-60C-120	8251632
XC21-048-230	TXV	48,000	18.00	13.00	CX35-60C	EL180UH090E60C	8251633
XC21-048-230	TXV	48,000	17.00	13.50	CX35-60C	EL180UH110E60C	8251634
XC21-048-230	TXV	48,000	17.00	13.00	CX35-60C	EL195UH090XE48C	8251635
XC21-048-230	TXV	48,000	17.00	13.00	CX35-60C	EL195UH110XE60C	8251636
XC21-048-230	TXV	48,000	17.00	13.00	CX35-60C	EL296UH090XE48C	8251639
XC21-048-230	TXV	48,000	18.00	13.00	CX35-60C	EL296UH090XV48C	8251637
XC21-048-230	TXV	48,000	18.00	13.00	CX35-60C	EL296UH090XV60C	8251638
XC21-048-230	TXV	48,000	17.00	13.00	CX35-60C	EL296UH110XE60C	8251642
XC21-048-230	TXV	48,000	18.00	13.00	CX35-60C	EL296UH110XV48C	8251640
XC21-048-230	TXV	48,000	18.00	13.00	CX35-60C	EL296UH110XV60C	8251641
XC21-048-230	TXV	48,000	18.00	13.50	CX35-60C	SL280UH090V60C	8251643
XC21-048-230	TXV	48,000	18.00	13.50	CX35-60C	SL280UH090XV60C	8251644
XC21-048-230	TXV	48,000	18.00	13.50	CX35-60C	SL280UH110V60C	8251645
XC21-048-230	TXV	48,000	18.00	13.50	CX35-60C	SL280UH110XV60C	8251646
XC21-048-230	TXV	48,000	18.00	13.50	CX35-60C	SLO185B124/141V60	8251647

### NOTES:

TXV = Matched with Thermostatic Expansion Valve.

RFC = Matched with RFC metering device.

All matches with EL195E and ML180E gas furnaces require the use of a Blower Motor Relay Kit (**85W66**) for proper unit operation.

Ratings are AHRI Certified to AHRI Standard 210/240 (with 25 ft. of connecting refrigerant lines); 95°F outdoor air temperature, 80°F db / 67°F wb entering evaporator air. All ratings include the use of a blower time delay relay (TDR). All Lennox variable-speed furnaces and Air Handlers have time delay capabilities. Other Furnaces and Air Handlers may require an optional time delay relay (**58M81**) for field installation. See furnace or air handler specifications to determine if relay is needed.

Also see Expansion Valve Kit Usage Table.

## AHRI SYSTEM MATCHES

NOTE - For the latest up-to-date system matches please visit the AHRI web site at <http://www.ahridirectory.org>

Model No.	Expansion Device	Capacity	SEER	EER	Coil or Air Handler	Furnace	AHRI Reference
XC21-048-230	TXV	48,000	18.00	13.50	CX35-60C	SLO185UF124/141V60	8251648
XC21-048-230	TXV	48,000	18.00	13.00	CX35-60C	SLP98UH090XV48C	8251649
XC21-048-230	TXV	48,000	18.00	13.00	CX35-60C	SLP98UH090XV60C	8251650
XC21-048-230	TXV	48,000	18.00	13.00	CX35-60C	SLP98UH110XV60C	8251651
XC21-048-230	TXV	48,000	16.00	12.50	CX35-60D		8251658
XC21-048-230	TXV	48,000	17.00	13.00	CX35-60D	EL296UH135XV60D	8251653
XC21-048-230	TXV	48,000	18.00	13.00	CX35-60D	SL280UH135V60D	8251654
XC21-048-230	TXV	48,000	17.00	13.00	CX35-60D	SLO185B124/141V60	8251655
XC21-048-230	TXV	48,000	17.00	13.00	CX35-60D	SLO185UF124/141V60	8251656
XC21-048-230	TXV	48,000	17.00	13.00	CX35-60D	SLP98UH135XV60D	8251657
XC21-060-230	TXV	55,000	15.00	11.70	C33-48	EL180UH090E60C	6332925
XC21-060-230	TXV	55,000	15.00	11.70	C33-48	EL180UH110E60C	6333570
XC21-060-230	TXV	55,000	15.00	11.70	C33-48	EL180UH110XE60C	6333574
XC21-060-230	TXV	55,000	14.50	11.70	C33-48	EL296UH110XE60C	6332661
XC21-060-230	TXV	57,000	14.50	11.70	C33-49		6332681
XC21-060-230	TXV	57,000	15.50	11.70	C33-49	CBWMV-60C-100	6332683
XC21-060-230	TXV	57,000	15.50	11.70	C33-49	CBWMV-60C-120	6332685
XC21-060-230	TXV	57,000	15.00	12.00	C33-49	EL180UH090E60C	6332927
XC21-060-230	TXV	58,000	15.50	12.20	C33-49	EL180UH110E60C	6332975
XC21-060-230	TXV	56,500	15.00	12.00	C33-49	EL180UH110XE60C	6333576
XC21-060-230	TXV	55,000	14.50	11.70	C33-49	EL195UH110XE60C	6332659
XC21-060-230	TXV	56,000	15.00	11.70	C33-49	EL296UH090XV60C	6332700
XC21-060-230	TXV	56,500	15.00	11.70	C33-49	EL296UH110XE60C	6332698
XC21-060-230	TXV	57,000	15.00	11.70	C33-49	EL296UH110XV60C	6332702
XC21-060-230	TXV	57,500	15.50	12.00	C33-49	SL280UH090V60C	6332687
XC21-060-230	TXV	57,500	15.50	12.00	C33-49	SL280UH090XV60C	6332689
XC21-060-230	TXV	56,000	15.00	11.70	C33-49	SLP98UH090XV60C	6332695
XC21-060-230	TXV	57,000	15.00	11.70	C33-49	SLP98UH110XV60C	6332693
XC21-060-230	TXV	56,000	15.00	11.70	C33-50/60C	EL180UH090E60C	6332929
XC21-060-230	TXV	56,000	15.00	11.70	C33-50/60C	EL180UH110XE60C	6333578
XC21-060-230	TXV	55,500	15.00	11.70	C33-50/60C	EL195UH110XE60C	6332724
XC21-060-230	TXV	55,500	15.00	11.70	C33-50/60C	EL296UH110XE60C	6332726
XC21-060-230	TXV	55,000	15.00	11.70	C33-50/60C	EL296UH110XV60C	6332730
XC21-060-230	TXV	56,000	15.00	11.70	C33-50/60C	SL280UH090V60C	6332712
XC21-060-230	TXV	56,000	15.00	11.70	C33-50/60C	SL280UH090XV60C	6332713
XC21-060-230	TXV	55,000	15.00	11.70	C33-50/60C	SLP98UH110XV60C	6332722
XC21-060-230	TXV	56,500	14.00	11.70	C33-60D		6332737
XC21-060-230	TXV	57,000	15.00	12.00	C33-60D	EL180UH090E60C	6332931
XC21-060-230	TXV	59,500	15.70	12.00	C33-60D	EL180UH135E60D	6332977
XC21-060-230	TXV	57,000	15.00	11.70	C33-60D	EL195UH135XE60D	6332743
XC21-060-230	TXV	57,000	15.00	11.70	C33-60D	EL296UH135XE60D	6332745
XC21-060-230	TXV	57,500	15.50	12.00	C33-60D	EL296UH135XV60D	6332747
XC21-060-230	TXV	56,500	15.50	12.20	C33-60D	SL280UH135V60D	6332739
XC21-060-230	TXV	56,000	15.00	12.00	C33-60D	SLO185B124/141V60	7110049
XC21-060-230	TXV	57,000	15.00	11.70	C33-60D	SLO185UF124/141V60	7110051
XC21-060-230	TXV	57,500	15.50	12.00	C33-60D	SLP98UH135XV60D	6332741
XC21-060-230	TXV	58,500	14.50	12.00	C33-62C		6332755
XC21-060-230	TXV	58,500	16.00	12.00	C33-62C	CBWMV-60C-100	6332757

### NOTES:

TXV = Matched with Thermostatic Expansion Valve.

RFC = Matched with RFC metering device.

All matches with EL195E and ML180E gas furnaces require the use of a Blower Motor Relay Kit (**85W66**) for proper unit operation.

Ratings are AHRI Certified to AHRI Standard 210/240 (with 25 ft. of connecting refrigerant lines); 95°F outdoor air temperature, 80°F db / 67°F wb entering evaporator air. All ratings include the use of a blower time delay relay (TDR). All Lennox variable-speed furnaces and Air Handlers have time delay capabilities. Other Furnaces and Air Handlers may require an optional time delay relay (**58M81**) for field installation. See furnace or air handler specifications to determine if relay is needed.

Also see Expansion Valve Kit Usage Table.

## AHRI SYSTEM MATCHES

NOTE - For the latest up-to-date system matches please visit the AHRI web site at <http://www.ahridirectory.org>

Model No.	Expansion Device	Capacity	SEER	EER	Coil or Air Handler	Furnace	AHRI Reference
XC21-060-230	TXV	58,500	16.00	12.00	C33-62C	CBWMV-60C-120	6332759
XC21-060-230	TXV	58,500	15.50	12.20	C33-62C	EL180UH090E60C	6332933
XC21-060-230	TXV	59,500	15.20	12.20	C33-62C	EL180UH110E60C	6332978
XC21-060-230	TXV	58,000	15.50	12.20	C33-62C	EL180UH110XE60C	6333580
XC21-060-230	TXV	58,000	15.50	12.20	C33-62C	EL195UH110XE60C	6332775
XC21-060-230	TXV	57,500	15.50	12.00	C33-62C	EL296UH090XV60C	6332777
XC21-060-230	TXV	58,000	15.50	12.20	C33-62C	EL296UH110XE60C	6332773
XC21-060-230	TXV	58,500	15.50	12.00	C33-62C	EL296UH110XV60C	6332779
XC21-060-230	TXV	58,500	16.00	12.00	C33-62C	SL280UH090V60C	6332761
XC21-060-230	TXV	58,500	16.00	12.00	C33-62C	SL280UH090XV60C	6332763
XC21-060-230	TXV	58,000	15.50	12.20	C33-62C	SL280UH110V60C	6332765
XC21-060-230	TXV	58,000	15.50	12.20	C33-62C	SL280UH110XV60C	6332767
XC21-060-230	TXV	57,500	15.50	12.00	C33-62C	SLP98UH090XV60C	6332769
XC21-060-230	TXV	58,000	15.50	12.00	C33-62C	SLP98UH110XV60C	6332771
XC21-060-230	TXV	58,000	15.50	12.20	C33-62D	EL180UH090E60C	6332935
XC21-060-230	TXV	60,500	16.00	12.00	C33-62D	EL180UH135E60D	6332979
XC21-060-230	TXV	57,500	15.00	11.70	C33-62D	EL195UH135XE60D	6332793
XC21-060-230	TXV	57,500	15.00	11.70	C33-62D	EL296UH135XE60D	6332791
XC21-060-230	TXV	58,000	15.50	12.20	C33-62D	EL296UH135XV60D	6332795
XC21-060-230	TXV	57,500	16.00	12.00	C33-62D	SL280UH135V60D	6332658
XC21-060-230	TXV	58,000	15.50	12.00	C33-62D	SLO185B124/141V60	7110053
XC21-060-230	TXV	58,000	15.50	12.00	C33-62D	SLO185UF124/141V60	7110055
XC21-060-230	TXV	58,000	15.50	12.00	C33-62D	SLP98UH135XV60D	6332789
XC21-060-230	TXV	56,000	15.00	11.70	C35-48C	CBWMV-60C-100	8248758
XC21-060-230	TXV	56,000	15.00	11.70	C35-48C	CBWMV-60C-120	8248759
XC21-060-230	TXV	55,500	15.00	11.70	C35-48C	EL180UH090E60C	8248760
XC21-060-230	TXV	55,500	15.00	11.70	C35-48C	EL180UH110E60C	8248761
XC21-060-230	TXV	55,500	15.00	11.70	C35-48C	EL180UH110XE60C	8248762
XC21-060-230	TXV	55,500	14.50	11.70	C35-48C	EL195UH110XE60C	8248763
XC21-060-230	TXV	55,000	15.00	11.70	C35-48C	EL296UH090XV60C	8248764
XC21-060-230	TXV	55,500	15.00	11.70	C35-48C	EL296UH110XE60C	8248765
XC21-060-230	TXV	56,000	15.00	11.70	C35-48C	SL280UH090V60C	8248767
XC21-060-230	TXV	56,000	15.00	11.70	C35-48C	SL280UH090XV60C	8248768
XC21-060-230	TXV	55,500	15.00	11.70	C35-48C	SL280UH110V60C	8248769
XC21-060-230	TXV	55,500	15.00	11.70	C35-48C	SL280UH110XV60C	8249843
XC21-060-230	TXV	55,000	15.00	11.70	C35-48C	SLP98UH090XV60C	8248770
XC21-060-230	TXV	57,000	14.50	11.70	C35-49C		8248788
XC21-060-230	TXV	57,000	15.50	11.70	C35-49C	CBWMV-60C-100	8248773
XC21-060-230	TXV	57,000	15.00	11.70	C35-49C	CBWMV-60C-120	8248774
XC21-060-230	TXV	56,500	15.00	12.00	C35-49C	EL180UH090E60C	8248775
XC21-060-230	TXV	56,500	15.00	12.00	C35-49C	EL180UH110E60C	8248777
XC21-060-230	TXV	56,500	15.00	12.00	C35-49C	EL180UH110XE60C	8248776
XC21-060-230	TXV	55,000	14.50	11.70	C35-49C	EL195UH110XE60C	8248778
XC21-060-230	TXV	56,000	15.00	11.70	C35-49C	EL296UH090XV60C	8248779
XC21-060-230	TXV	56,500	15.00	11.70	C35-49C	EL296UH110XE60C	8248780
XC21-060-230	TXV	57,000	15.00	11.70	C35-49C	EL296UH110XV60C	8248781
XC21-060-230	TXV	57,500	15.50	12.00	C35-49C	SL280UH090V60C	8248782
XC21-060-230	TXV	57,500	15.50	12.00	C35-49C	SL280UH090XV60C	8248783

### NOTES:

TXV = Matched with Thermostatic Expansion Valve.

RFC = Matched with RFC metering device.

All matches with EL195E and ML180E gas furnaces require the use of a Blower Motor Relay Kit (**85W66**) for proper unit operation.

Ratings are AHRI Certified to AHRI Standard 210/240 (with 25 ft. of connecting refrigerant lines); 95°F outdoor air temperature, 80°F db / 67°F wb entering evaporator air. All ratings include the use of a blower time delay relay (TDR). All Lennox variable-speed furnaces and Air Handlers have time delay capabilities. Other Furnaces and Air Handlers may require an optional time delay relay (**58M81**) for field installation. See furnace or air handler specifications to determine if relay is needed.

Also see Expansion Valve Kit Usage Table.

## AHRI SYSTEM MATCHES

NOTE - For the latest up-to-date system matches please visit the AHRI web site at <http://www.ahridirectory.org>

Model No.	Expansion Device	Capacity	SEER	EER	Coil or Air Handler	Furnace	AHRI Reference
XC21-060-230	TXV	56,500	15.00	12.00	C35-49C	SL280UH110V60C	8248784
XC21-060-230	TXV	56,500	15.00	12.00	C35-49C	SL280UH110XV60C	8248785
XC21-060-230	TXV	56,000	15.00	11.70	C35-49C	SLP98UH090XV60C	8248786
XC21-060-230	TXV	57,000	15.00	11.70	C35-49C	SLP98UH110XV60C	8248787
XC21-060-230	TXV	55,000	15.00	11.70	C35-50/60C	EL180UH090E60C	8248790
XC21-060-230	TXV	55,000	15.00	11.70	C35-50/60C	EL180UH110E60C	8248791
XC21-060-230	TXV	55,000	15.00	11.70	C35-50/60C	EL180UH110XE60C	8248792
XC21-060-230	TXV	55,500	14.50	11.70	C35-50/60C	EL195UH110XE60C	8248793
XC21-060-230	TXV	55,500	15.00	11.70	C35-50/60C	EL296UH110XE60C	8248795
XC21-060-230	TXV	55,000	14.50	11.70	C35-50/60C	EL296UH110XV60C	8248796
XC21-060-230	TXV	55,000	15.00	11.70	C35-50/60C	SL280UH090V60C	8248797
XC21-060-230	TXV	55,000	15.00	11.70	C35-50/60C	SL280UH090XV60C	8248798
XC21-060-230	TXV	55,000	14.50	11.70	C35-50/60C	SL280UH110V60C	8248799
XC21-060-230	TXV	55,000	14.50	11.70	C35-50/60C	SL280UH110XV60C	8248800
XC21-060-230	TXV	55,000	14.50	11.70	C35-50/60C	SLP98UH110XV60C	8248802
XC21-060-230	TXV	57,500	15.50	12.00	C35-60C		8248819
XC21-060-230	TXV	58,500	16.00	12.00	C35-60C	CBWMV-60C-100	8248804
XC21-060-230	TXV	58,000	15.00	11.70	C35-60C	CBWMV-60C-120	8248805
XC21-060-230	TXV	58,000	15.50	12.00	C35-60C	EL180UH090E60C	8248806
XC21-060-230	TXV	58,000	15.50	12.00	C35-60C	EL180UH110E60C	8248809
XC21-060-230	TXV	58,000	15.50	12.20	C35-60C	EL180UH110XE60C	8248808
XC21-060-230	TXV	57,500	15.50	12.00	C35-60C	EL195UH110XE60C	8248810
XC21-060-230	TXV	58,000	15.50	12.20	C35-60C	EL296UH090XV60C	8248811
XC21-060-230	TXV	58,500	15.50	12.00	C35-60C	EL296UH110XE60C	8248812
XC21-060-230	TXV	58,000	15.20	12.20	C35-60C	EL296UH110XV60C	8248807
XC21-060-230	TXV	58,500	16.00	12.00	C35-60C	SL280UH090V60C	8248813
XC21-060-230	TXV	58,000	15.50	12.20	C35-60C	SL280UH090XV60C	8248814
XC21-060-230	TXV	58,000	15.50	12.00	C35-60C	SL280UH110V60C	8248815
XC21-060-230	TXV	57,500	15.50	12.00	C35-60C	SL280UH110XV60C	8248816
XC21-060-230	TXV	58,000	15.50	12.00	C35-60C	SLP98UH090XV60C	8248817
XC21-060-230	TXV	58,500	14.50	12.00	C35-60C	SLP98UH110XV60C	8248818
XC21-060-230	TXV	56,000	15.00	11.70	C35-60D		8248828
XC21-060-230	TXV	57,500	15.00	11.70	C35-60D	EL180UH090E60C	8248820
XC21-060-230	TXV	57,500	15.00	11.70	C35-60D	EL195UH135XE60D	8248821
XC21-060-230	TXV	58,000	15.50	12.00	C35-60D	EL296UH135XE60D	8248822
XC21-060-230	TXV	57,500	16.00	12.00	C35-60D	EL296UH135XV60D	8248823
XC21-060-230	TXV	58,000	15.50	11.70	C35-60D	SL280UH135V60D	8248824
XC21-060-230	TXV	58,000	15.50	11.70	C35-60D	SLO185B124/141V60	8248825
XC21-060-230	TXV	58,000	15.50	12.00	C35-60D	SLO185UF124/141V60	8248826
XC21-060-230	TXV	56,500	14.00	11.70	C35-60D	SLP98UH135XV60D	8248827
XC21-060-230	TXV	56,500	15.50	12.00	CBX27UH-060		6332803
XC21-060-230	TXV	57,500	14.50	12.00	CBX32M-060		6332804
XC21-060-230	TXV	57,000	16.00	12.00	CBX32MV-048		6332805
XC21-060-230	TXV	57,500	16.00	12.00	CBX32MV-060		6332806
XC21-060-230	TXV	58,000	16.00	12.00	CBX32MV-068		6332807
XC21-060-230	TXV	56,500	15.50	11.70	CBX40UHV-048		6332808
XC21-060-230	TXV	57,000	15.50	11.70	CBX40UHV-060		6332809
XC21-060-230	TXV	55,000	15.00	11.70	CH23-65	EL180UH090E60C	6332938

### NOTES:

TXV = Matched with Thermostatic Expansion Valve.

RFC = Matched with RFC metering device.

All matches with EL195E and ML180E gas furnaces require the use of a Blower Motor Relay Kit (**85W66**) for proper unit operation.

Ratings are AHRI Certified to AHRI Standard 210/240 (with 25 ft. of connecting refrigerant lines); 95°F outdoor air temperature, 80°F db / 67°F wb entering evaporator air. All ratings include the use of a blower time delay relay (TDR). All Lennox variable-speed furnaces and Air Handlers have time delay capabilities. Other Furnaces and Air Handlers may require an optional time delay relay (**58M81**) for field installation. See furnace or air handler specifications to determine if relay is needed.

Also see Expansion Valve Kit Usage Table.



## AHRI SYSTEM MATCHES

NOTE - For the latest up-to-date system matches please visit the AHRI web site at <http://www.ahridirectory.org>

Model No.	Expansion Device	Capacity	SEER	EER	Coil or Air Handler	Furnace	AHRI Reference
XC21-060-230	TXV	56,000	15.20	11.70	CH23-65	EL180UH110E60C	6332980
XC21-060-230	TXV	55,000	15.00	11.70	CH23-65	EL180UH110XE60C	6333583
XC21-060-230	TXV	55,000	15.00	11.70	CH23-65	EL180UH135E60D	6333588
XC21-060-230	TXV	55,000	14.50	11.70	CH23-65	EL195UH110XE60C	6332821
XC21-060-230	TXV	55,000	14.50	11.70	CH23-65	EL296UH110XE60C	6332823
XC21-060-230	TXV	55,500	15.00	11.70	CH23-65	EL296UH135XV60C	6332826
XC21-060-230	TXV	55,500	15.00	11.70	CH23-65	SL280UH090V60C	6332831
XC21-060-230	TXV	55,500	15.00	11.70	CH23-65	SL280UH090XV60C	6332832
XC21-060-230	TXV	55,000	15.00	11.70	CH23-65	SL280UH110V60C	6332833
XC21-060-230	TXV	55,000	15.00	11.70	CH23-65	SL280UH110XV60C	6332834
XC21-060-230	TXV	55,500	15.00	11.70	CH23-65	SL280UH135V60D	6332835
XC21-060-230	TXV	54,500	15.00	11.70	CH23-65	SLP98UH090XV60C	6332836
XC21-060-230	TXV	58,000	14.50	12.00	CH23-68		6332839
XC21-060-230	TXV	57,500	15.50	12.20	CH23-68	EL180UH090E60C	6332939
XC21-060-230	TXV	57,500	15.50	12.20	CH23-68	EL180UH110E60C	6333573
XC21-060-230	TXV	57,500	15.50	12.20	CH23-68	EL180UH110XE60C	6333584
XC21-060-230	TXV	60,500	16.00	12.00	CH23-68	EL180UH135E60D	6332981
XC21-060-230	TXV	57,500	15.50	12.00	CH23-68	EL195UH110XE60C	6332840
XC21-060-230	TXV	58,000	15.00	12.00	CH23-68	EL195UH135XE60D	6332841
XC21-060-230	TXV	57,000	15.50	12.20	CH23-68	EL296UH090XV60C	6332844
XC21-060-230	TXV	57,500	15.50	12.00	CH23-68	EL296UH110XE60C	6332842
XC21-060-230	TXV	58,000	15.50	12.20	CH23-68	EL296UH110XV60C	6332845
XC21-060-230	TXV	58,000	15.00	12.00	CH23-68	EL296UH135XE60D	6332843
XC21-060-230	TXV	58,500	15.50	12.20	CH23-68	EL296UH135XV60D	6332846
XC21-060-230	TXV	58,500	16.00	12.00	CH23-68	SL280UH090V60C	6332851
XC21-060-230	TXV	58,500	16.00	12.00	CH23-68	SL280UH090XV60C	6332852
XC21-060-230	TXV	57,500	15.50	12.20	CH23-68	SL280UH110V60C	6332853
XC21-060-230	TXV	57,500	15.50	12.20	CH23-68	SL280UH110XV60C	6332854
XC21-060-230	TXV	58,500	16.00	12.00	CH23-68	SL280UH135V60D	6332855
XC21-060-230	TXV	58,000	15.50	11.70	CH23-68	SLP98UH090XV60C	6332856
XC21-060-230	TXV	58,000	15.50	12.20	CH23-68	SLP98UH110XV60C	6332857
XC21-060-230	TXV	58,500	16.00	12.00	CH23-68	SLP98UH135XV60D	6332858
XC21-060-230	TXV	56,500	14.50	11.70	CH33-49		6332859
XC21-060-230	TXV	57,500	15.50	12.20	CH33-49	EL180UH090E60C	6332940
XC21-060-230	TXV	59,000	15.20	11.70	CH33-49	EL180UH110E60C	6332982
XC21-060-230	TXV	57,000	15.50	12.00	CH33-49	EL180UH110XE60C	6333585
XC21-060-230	TXV	57,000	15.50	12.00	CH33-49	EL195UH110XE60C	6332860
XC21-060-230	TXV	56,500	15.50	11.70	CH33-49	EL296UH090XV60C	6332862
XC21-060-230	TXV	57,000	15.50	12.00	CH33-49	EL296UH110XE60C	6332861
XC21-060-230	TXV	57,500	15.50	11.70	CH33-49	EL296UH110XV60C	6332863
XC21-060-230	TXV	57,500	15.50	12.00	CH33-49	SL280UH090V60C	6332867
XC21-060-230	TXV	57,500	15.50	12.00	CH33-49	SL280UH090XV60C	6332868
XC21-060-230	TXV	57,000	15.50	12.00	CH33-49	SL280UH110V60C	6332869
XC21-060-230	TXV	57,000	15.50	12.00	CH33-49	SL280UH110XV60C	6332870
XC21-060-230	TXV	56,500	15.50	11.70	CH33-49	SLP98UH090XV60C	6332871
XC21-060-230	TXV	57,500	15.50	12.00	CH33-49	SLP98UH110XV60C	6332872
XC21-060-230	TXV	56,000	14.00	11.70	CH33-50/60C		6332873
XC21-060-230	TXV	57,500	15.50	12.20	CH33-50/60C	EL180UH090E60C	6332941

### NOTES:

TXV = Matched with Thermostatic Expansion Valve.

RFC = Matched with RFC metering device.

All matches with EL195E and ML180E gas furnaces require the use of a Blower Motor Relay Kit (**85W66**) for proper unit operation.

Ratings are AHRI Certified to AHRI Standard 210/240 (with 25 ft. of connecting refrigerant lines); 95°F outdoor air temperature, 80°F db / 67°F wb entering evaporator air. All ratings include the use of a blower time delay relay (TDR). All Lennox variable-speed furnaces and Air Handlers have time delay capabilities. Other Furnaces and Air Handlers may require an optional time delay relay (**58M81**) for field installation. See furnace or air handler specifications to determine if relay is needed.

Also see Expansion Valve Kit Usage Table.

## AHRI SYSTEM MATCHES

NOTE - For the latest up-to-date system matches please visit the AHRI web site at <http://www.ahridirectory.org>

Model No.	Expansion Device	Capacity	SEER	EER	Coil or Air Handler	Furnace	AHRI Reference
XC21-060-230	TXV	58,500	15.20	11.70	CH33-50/60C	EL180UH110E60C	6332983
XC21-060-230	TXV	57,000	15.50	12.00	CH33-50/60C	EL180UH110XE60C	6333586
XC21-060-230	TXV	57,000	15.50	12.00	CH33-50/60C	EL195UH110XE60C	6332874
XC21-060-230	TXV	56,500	15.00	11.70	CH33-50/60C	EL296UH090XV60C	6332876
XC21-060-230	TXV	57,000	15.50	12.00	CH33-50/60C	EL296UH110XE60C	6332875
XC21-060-230	TXV	56,000	15.00	11.70	CH33-50/60C	EL296UH110XV60C	6332877
XC21-060-230	TXV	57,000	15.50	12.00	CH33-50/60C	SL280UH090V60C	6332881
XC21-060-230	TXV	57,000	15.50	12.00	CH33-50/60C	SL280UH090XV60C	6332882
XC21-060-230	TXV	56,500	15.00	11.70	CH33-50/60C	SL280UH110V60C	6332883
XC21-060-230	TXV	56,500	15.00	11.70	CH33-50/60C	SL280UH110XV60C	6332884
XC21-060-230	TXV	56,500	15.00	11.70	CH33-50/60C	SLP98UH090XV60C	6332885
XC21-060-230	TXV	56,000	15.00	11.70	CH33-50/60C	SLP98UH110XV60C	6332886
XC21-060-230	TXV	57,000	15.50	12.00	CH33-60D	EL180UH090E60C	6332942
XC21-060-230	TXV	59,000	15.70	12.00	CH33-60D	EL180UH135E60D	6332968
XC21-060-230	TXV	57,000	15.00	11.70	CH33-60D	EL195UH135XE60D	6332888
XC21-060-230	TXV	57,000	15.00	11.70	CH33-60D	EL296UH135XE60D	6332889
XC21-060-230	TXV	57,000	15.50	12.00	CH33-60D	EL296UH135XV60D	6332890
XC21-060-230	TXV	56,500	14.00	11.70	CH33-60D	SL280UH135V60D	6332887
XC21-060-230	TXV	57,000	15.50	11.70	CH33-60D	SLP98UH135XV60D	6332892
XC21-060-230	TXV	57,000	14.50	11.70	CH33-62D		6332893
XC21-060-230	TXV	57,000	15.00	12.00	CH33-62D	EL180UH090E60C	6332943
XC21-060-230	TXV	60,000	15.70	12.20	CH33-62D	EL180UH135E60D	6332969
XC21-060-230	TXV	57,000	15.00	11.70	CH33-62D	EL195UH135XE60D	6332894
XC21-060-230	TXV	57,000	15.00	11.70	CH33-62D	EL296UH135XE60D	6332895
XC21-060-230	TXV	57,500	15.50	12.00	CH33-62D	EL296UH135XV60D	6332896
XC21-060-230	TXV	57,000	15.50	12.20	CH33-62D	SL280UH135V60D	6332898
XC21-060-230	TXV	57,500	15.50	12.00	CH33-62D	SLP98UH135XV60D	6332899
XC21-060-230	TXV	56,500	14.50	11.70	CH35-51C		7164640
XC21-060-230	TXV	57,500	15.10	11.70	CH35-51C	CBWMV-060C-120	7164641
XC21-060-230	TXV	57,500	15.50	12.00	CH35-51C	EL180UH090E60C	7164646
XC21-060-230	TXV	57,500	15.50	12.00	CH35-51C	EL180UH110E60C	7164647
XC21-060-230	TXV	57,500	15.50	12.00	CH35-51C	EL180UH110XE60C	7164648
XC21-060-230	TXV	57,500	15.50	12.00	CH35-51C	EL195UH110XE60C	7164642
XC21-060-230	TXV	57,500	15.50	12.00	CH35-51C	EL296UH090XV60C	7164644
XC21-060-230	TXV	57,000	15.10	12.00	CH35-51C	EL296UH110XE60C	7164643
XC21-060-230	TXV	56,500	15.10	12.00	CH35-51C	EL296UH110XV60C	7164645
XC21-060-230	TXV	57,500	15.50	12.00	CH35-51C	SL280UH090V60C	7164649
XC21-060-230	TXV	57,500	15.50	12.00	CH35-51C	SL280UH090XV60C	7164650
XC21-060-230	TXV	57,500	15.50	12.00	CH35-51C	SL280UH110V60C	7164651
XC21-060-230	TXV	57,500	15.50	12.00	CH35-51C	SL280UH110XV60C	7164652
XC21-060-230	TXV	57,000	15.10	12.00	CH35-51C	SLP98UH090XV60C	7164654
XC21-060-230	TXV	56,500	15.10	12.00	CH35-51C	SLP98UH110XV60C	7164656
XC21-060-230	TXV	57,000	14.50	11.70	CH35-60D		7164658
XC21-060-230	TXV	57,500	15.10	12.00	CH35-60D	EL180UH135E60D	7164662
XC21-060-230	TXV	57,000	15.10	11.70	CH35-60D	EL195UH135XE60D	7164659
XC21-060-230	TXV	57,000	15.10	11.70	CH35-60D	EL296UH135XE60D	7164660
XC21-060-230	TXV	57,500	15.50	12.00	CH35-60D	EL296UH135XV60D	7164661
XC21-060-230	TXV	57,000	15.50	12.00	CH35-60D	SL280UH135V60D	7164663

### NOTES:

TXV = Matched with Thermostatic Expansion Valve.

RFC = Matched with RFC metering device.

All matches with EL195E and ML180E gas furnaces require the use of a Blower Motor Relay Kit (**85W66**) for proper unit operation.

Ratings are AHRI Certified to AHRI Standard 210/240 (with 25 ft. of connecting refrigerant lines); 95°F outdoor air temperature, 80°F db / 67°F wb entering evaporator air. All ratings include the use of a blower time delay relay (TDR). All Lennox variable-speed furnaces and Air Handlers have time delay capabilities. Other Furnaces and Air Handlers may require an optional time delay relay (**58M81**) for field installation. See furnace or air handler specifications to determine if relay is needed.

Also see Expansion Valve Kit Usage Table.

## AHRI SYSTEM MATCHES

NOTE - For the latest up-to-date system matches please visit the AHRI web site at <http://www.ahridirectory.org>

Model No.	Expansion Device	Capacity	SEER	EER	Coil or Air Handler	Furnace	AHRI Reference
XC21-060-230	TXV	58,000	15.50	12.00	CH35-60D	SLP98UH135XV60D	7164664
XC21-060-230	TXV	55,000	15.00	11.70	CR33-50/60	EL296DF110XV60C	6332911
XC21-060-230	TXV	56,000	15.50	11.70	CR33-50/60	SL280DF090V60C	6332912
XC21-060-230	TXV	56,000	15.50	12.00	CR33-50/60	SL280DF110V60C	6332913
XC21-060-230	TXV	55,500	15.00	11.70	CR33-50/60	SLP98DF110XV60C	6332915
XC21-060-230	TXV	56,500	15.00	12.00	CR33-60	EL180DF110E60C	6333569
XC21-060-230	TXV	56,500	15.00	12.00	CR33-60	EL180UH090E60C	6332944
XC21-060-230	TXV	55,500	15.00	11.70	CR33-60	EL195DF090XE60C	7425549
XC21-060-230	TXV	55,500	15.00	11.70	CR33-60	EL195DF090XV60C	6332917
XC21-060-230	TXV	55,500	15.00	11.70	CR33-60	EL296DF110V60C	6333589
XC21-060-230	TXV	55,500	15.00	11.70	CR33-60	EL296DF110XV60C	6332918
XC21-060-230	TXV	56,000	15.50	11.70	CR33-60	SL280DF090V60C	6332921
XC21-060-230	TXV	56,000	15.50	11.70	CR33-60	SL280DF110V60C	6332922
XC21-060-230	TXV	55,500	15.00	11.70	CR33-60	SLP98DF110XV60C	6332924
XC21-060-230	TXV	55,000	15.00	11.70	CX34-44/48C	EL180UH090E60C	6332926
XC21-060-230	TXV	55,000	15.00	11.70	CX34-44/48C	EL180UH110E60C	6333571
XC21-060-230	TXV	55,000	15.00	11.70	CX34-44/48C	EL180UH110XE60C	6333575
XC21-060-230	TXV	55,000	14.50	11.70	CX34-44/48C	EL195UH110XE60C	6332660
XC21-060-230	TXV	57,000	14.50	11.70	CX34-49		6332682
XC21-060-230	TXV	57,000	15.50	11.70	CX34-49	CBWMV-60C-100	6332684
XC21-060-230	TXV	57,000	15.50	11.70	CX34-49	CBWMV-60C-120	6332686
XC21-060-230	TXV	57,000	15.00	12.00	CX34-49	EL180UH090E60C	6332928
XC21-060-230	TXV	58,000	15.50	12.20	CX34-49	EL180UH110E60C	6332972
XC21-060-230	TXV	56,500	15.00	12.00	CX34-49	EL180UH110XE60C	6333577
XC21-060-230	TXV	56,500	15.00	11.70	CX34-49	EL195UH110XE60C	6332697
XC21-060-230	TXV	56,000	15.00	11.70	CX34-49	EL296UH090XV60C	6332701
XC21-060-230	TXV	56,500	15.00	11.70	CX34-49	EL296UH110XE60C	6332699
XC21-060-230	TXV	57,000	15.00	11.70	CX34-49	EL296UH110XV60C	6332703
XC21-060-230	TXV	57,500	15.50	12.00	CX34-49	SL280UH090V60C	6332688
XC21-060-230	TXV	57,500	15.50	12.00	CX34-49	SL280UH090XV60C	6332690
XC21-060-230	TXV	56,500	15.00	12.00	CX34-49	SL280UH110V60C	6332691
XC21-060-230	TXV	56,500	15.00	12.00	CX34-49	SL280UH110XV60C	6332692
XC21-060-230	TXV	56,000	15.00	11.70	CX34-49	SLP98UH090XV60C	6332696
XC21-060-230	TXV	57,000	15.00	11.70	CX34-49	SLP98UH110XV60C	6332694
XC21-060-230	TXV	56,000	15.00	11.70	CX34-50/60C	EL180UH090E60C	6332930
XC21-060-230	TXV	56,000	15.00	11.70	CX34-50/60C	EL180UH110XE60C	6333579
XC21-060-230	TXV	55,500	15.00	11.70	CX34-50/60C	EL195UH110XE60C	6332725
XC21-060-230	TXV	55,500	15.00	11.70	CX34-50/60C	EL296UH110XE60C	6332727
XC21-060-230	TXV	55,000	14.50	11.70	CX34-50/60C	EL296UH110XV60C	6332662
XC21-060-230	TXV	56,000	15.00	11.70	CX34-50/60C	SL280UH090V60C	6332714
XC21-060-230	TXV	56,000	15.00	11.70	CX34-50/60C	SL280UH090XV60C	6332715
XC21-060-230	TXV	55,000	15.00	11.70	CX34-50/60C	SLP98UH110XV60C	6332723
XC21-060-230	TXV	56,500	14.00	11.70	CX34-60D		6332738
XC21-060-230	TXV	57,000	15.00	12.00	CX34-60D	EL180UH090E60C	6332932
XC21-060-230	TXV	59,500	15.70	12.00	CX34-60D	EL180UH135E60D	6332971
XC21-060-230	TXV	57,000	15.00	11.70	CX34-60D	EL195UH135XE60D	6332744
XC21-060-230	TXV	57,000	15.00	11.70	CX34-60D	EL296UH135XE60D	6332746
XC21-060-230	TXV	57,500	15.50	12.00	CX34-60D	EL296UH135XV60D	6332748

### NOTES:

TXV = Matched with Thermostatic Expansion Valve.

RFC = Matched with RFC metering device.

All matches with EL195E and ML180E gas furnaces require the use of a Blower Motor Relay Kit (**85W66**) for proper unit operation.

Ratings are AHRI Certified to AHRI Standard 210/240 (with 25 ft. of connecting refrigerant lines); 95°F outdoor air temperature, 80°F db / 67°F wb entering evaporator air. All ratings include the use of a blower time delay relay (TDR). All Lennox variable-speed furnaces and Air Handlers have time delay capabilities. Other Furnaces and Air Handlers may require an optional time delay relay (**58M81**) for field installation. See furnace or air handler specifications to determine if relay is needed.

Also see Expansion Valve Kit Usage Table.

## AHRI SYSTEM MATCHES

NOTE - For the latest up-to-date system matches please visit the AHRI web site at <http://www.ahridirectory.org>

Model No.	Expansion Device	Capacity	SEER	EER	Coil or Air Handler	Furnace	AHRI Reference
XC21-060-230	TXV	56,500	15.50	12.20	CX34-60D	SL280UH135V60D	6332740
XC21-060-230	TXV	56,000	15.00	12.00	CX34-60D	SLO185B124/141V60	7110050
XC21-060-230	TXV	57,000	15.00	11.70	CX34-60D	SLO185UF124/141V60	7110052
XC21-060-230	TXV	57,500	15.50	12.00	CX34-60D	SLP98UH135XV60D	6332742
XC21-060-230	TXV	58,500	14.50	12.00	CX34-62C		6332756
XC21-060-230	TXV	58,500	16.00	12.00	CX34-62C	CBWMV-60C-100	6332758
XC21-060-230	TXV	58,500	16.00	12.00	CX34-62C	CBWMV-60C-120	6332760
XC21-060-230	TXV	58,500	15.50	12.20	CX34-62C	EL180UH090E60C	6332934
XC21-060-230	TXV	59,500	15.20	12.20	CX34-62C	EL180UH110E60C	6332973
XC21-060-230	TXV	58,000	15.50	12.20	CX34-62C	EL180UH110XE60C	6333581
XC21-060-230	TXV	58,000	15.50	12.20	CX34-62C	EL195UH110XE60C	6332776
XC21-060-230	TXV	57,500	15.50	12.00	CX34-62C	EL296UH090XV60C	6332778
XC21-060-230	TXV	58,000	15.50	12.20	CX34-62C	EL296UH110XE60C	6332774
XC21-060-230	TXV	58,500	15.50	12.00	CX34-62C	EL296UH110XV60C	6332780
XC21-060-230	TXV	58,500	16.00	12.00	CX34-62C	SL280UH090V60C	6332762
XC21-060-230	TXV	58,500	16.00	12.00	CX34-62C	SL280UH090XV60C	6332764
XC21-060-230	TXV	58,000	15.50	12.20	CX34-62C	SL280UH110V60C	6332766
XC21-060-230	TXV	58,000	15.50	12.20	CX34-62C	SL280UH110XV60C	6332768
XC21-060-230	TXV	57,500	15.50	12.00	CX34-62C	SLP98UH090XV60C	6332770
XC21-060-230	TXV	58,000	15.50	12.00	CX34-62C	SLP98UH110XV60C	6332772
XC21-060-230	TXV	58,000	15.50	12.20	CX34-62D	EL180UH090E60C	6332936
XC21-060-230	TXV	60,500	16.00	12.00	CX34-62D	EL180UH135E60D	6332974
XC21-060-230	TXV	57,500	15.00	11.70	CX34-62D	EL195UH135XE60D	6332794
XC21-060-230	TXV	57,500	15.00	11.70	CX34-62D	EL296UH135XE60D	6332792
XC21-060-230	TXV	58,000	15.50	12.20	CX34-62D	EL296UH135XV60D	6332796
XC21-060-230	TXV	57,500	16.00	12.00	CX34-62D	SL280UH135V60D	6332657
XC21-060-230	TXV	58,000	15.50	12.00	CX34-62D	SLO185B124/141V60	7110054
XC21-060-230	TXV	58,000	15.50	12.00	CX34-62D	SLO185UF124/141V60	7110056
XC21-060-230	TXV	58,000	15.50	12.00	CX34-62D	SLP98UH135XV60D	6332790
XC21-060-230	TXV	57,000	15.50	11.70	CX35-48C		8248843
XC21-060-230	TXV	56,000	15.00	11.70	CX35-48C	CBWMV-60C-100	8248829
XC21-060-230	TXV	55,500	15.00	11.70	CX35-48C	CBWMV-60C-120	8248830
XC21-060-230	TXV	55,500	15.00	11.70	CX35-48C	EL180UH090E60C	8248831
XC21-060-230	TXV	55,500	15.00	11.70	CX35-48C	EL180UH110E60C	8248832
XC21-060-230	TXV	55,500	14.50	11.70	CX35-48C	EL180UH110XE60C	8248833
XC21-060-230	TXV	55,000	15.00	11.70	CX35-48C	EL195UH110XE60C	8248834
XC21-060-230	TXV	55,500	15.00	11.70	CX35-48C	EL296UH090XV60C	8248835
XC21-060-230	TXV	56,000	15.00	11.70	CX35-48C	EL296UH110XV60C	8248837
XC21-060-230	TXV	56,000	15.00	11.70	CX35-48C	SL280UH090V60C	8248838
XC21-060-230	TXV	55,500	15.00	11.70	CX35-48C	SL280UH090XV60C	8248839
XC21-060-230	TXV	55,500	15.00	11.70	CX35-48C	SL280UH110V60C	8249844
XC21-060-230	TXV	55,000	15.00	11.70	CX35-48C	SL280UH110XV60C	8248840
XC21-060-230	TXV	56,000	14.00	11.70	CX35-48C	SLP98UH110XV60C	8248842
XC21-060-230	TXV	57,000	15.00	11.70	CX35-49C	CBWMV-60C-100	8248844
XC21-060-230	TXV	56,500	15.00	12.00	CX35-49C	CBWMV-60C-120	8248845
XC21-060-230	TXV	56,500	15.00	12.00	CX35-49C	EL180UH090E60C	8248846
XC21-060-230	TXV	55,000	14.50	11.70	CX35-49C	EL180UH110E60C	8248848
XC21-060-230	TXV	56,500	15.00	12.00	CX35-49C	EL180UH110XE60C	8248847

### NOTES:

TXV = Matched with Thermostatic Expansion Valve.

RFC = Matched with RFC metering device.

All matches with EL195E and ML180E gas furnaces require the use of a Blower Motor Relay Kit (**85W66**) for proper unit operation.

Ratings are AHRI Certified to AHRI Standard 210/240 (with 25 ft. of connecting refrigerant lines); 95°F outdoor air temperature, 80°F db / 67°F wb entering evaporator air. All ratings include the use of a blower time delay relay (TDR). All Lennox variable-speed furnaces and Air Handlers have time delay capabilities. Other Furnaces and Air Handlers may require an optional time delay relay (**58M81**) for field installation. See furnace or air handler specifications to determine if relay is needed.

Also see Expansion Valve Kit Usage Table.



## AHRI SYSTEM MATCHES

NOTE - For the latest up-to-date system matches please visit the AHRI web site at <http://www.ahridirectory.org>

Model No.	Expansion Device	Capacity	SEER	EER	Coil or Air Handler	Furnace	AHRI Reference
XC21-060-230	TXV	56,000	15.00	11.70	CX35-49C	EL195UH110XE60C	8248849
XC21-060-230	TXV	56,500	15.00	11.70	CX35-49C	EL296UH090XV60C	8248850
XC21-060-230	TXV	57,000	15.00	11.70	CX35-49C	EL296UH110XE60C	8248851
XC21-060-230	TXV	57,500	15.50	12.00	CX35-49C	EL296UH110XV60C	8248852
XC21-060-230	TXV	57,500	15.50	12.00	CX35-49C	SL280UH090V60C	8248853
XC21-060-230	TXV	56,500	15.00	12.00	CX35-49C	SL280UH090XV60C	8248854
XC21-060-230	TXV	56,500	15.00	12.00	CX35-49C	SL280UH110V60C	8248855
XC21-060-230	TXV	56,000	15.00	11.70	CX35-49C	SL280UH110XV60C	8248856
XC21-060-230	TXV	57,000	15.00	11.70	CX35-49C	SLP98UH090XV60C	8248857
XC21-060-230	TXV	57,000	14.50	11.70	CX35-49C	SLP98UH110XV60C	8248858
XC21-060-230	TXV	58,500	16.00	12.00	CX35-50/60C		8248874
XC21-060-230	TXV	55,000	15.00	11.70	CX35-50/60C	CBWMV-60C-100	8248860
XC21-060-230	TXV	55,000	15.00	11.70	CX35-50/60C	EL180UH090E60C	8248861
XC21-060-230	TXV	55,000	15.00	11.70	CX35-50/60C	EL180UH110E60C	8248862
XC21-060-230	TXV	55,500	14.50	11.70	CX35-50/60C	EL180UH110XE60C	8248863
XC21-060-230	TXV	55,500	15.00	11.70	CX35-50/60C	EL296UH090XV60C	8248865
XC21-060-230	TXV	55,000	14.50	11.70	CX35-50/60C	EL296UH110XE60C	8248866
XC21-060-230	TXV	55,000	15.00	11.70	CX35-50/60C	EL296UH110XV60C	8248867
XC21-060-230	TXV	55,000	15.00	11.70	CX35-50/60C	SL280UH090V60C	8248868
XC21-060-230	TXV	55,000	14.50	11.70	CX35-50/60C	SL280UH090XV60C	8248869
XC21-060-230	TXV	55,000	14.50	11.70	CX35-50/60C	SL280UH110V60C	8248870
XC21-060-230	TXV	55,000	14.50	11.70	CX35-50/60C	SLP98UH090XV60C	8248872
XC21-060-230	TXV	58,500	14.50	11.70	CX35-60C		8248889
XC21-060-230	TXV	58,000	15.00	11.70	CX35-60C	CBWMV-60C-100	8248875
XC21-060-230	TXV	58,000	15.50	12.00	CX35-60C	CBWMV-60C-120	8248876
XC21-060-230	TXV	58,000	15.20	12.20	CX35-60C	EL180UH090E60C	8248877
XC21-060-230	TXV	58,000	15.50	12.00	CX35-60C	EL180UH110E60C	8248879
XC21-060-230	TXV	58,000	15.50	12.20	CX35-60C	EL180UH110XE60C	8248878
XC21-060-230	TXV	57,500	15.50	12.00	CX35-60C	EL195UH110XE60C	8248880
XC21-060-230	TXV	58,000	15.50	12.20	CX35-60C	EL296UH090XV60C	8248881
XC21-060-230	TXV	58,500	15.50	12.00	CX35-60C	EL296UH110XE60C	8248882
XC21-060-230	TXV	58,500	16.00	12.00	CX35-60C	EL296UH110XV60C	8248883
XC21-060-230	TXV	58,500	16.00	12.00	CX35-60C	SL280UH090V60C	8248884
XC21-060-230	TXV	58,000	15.50	12.00	CX35-60C	SL280UH110V60C	8248885
XC21-060-230	TXV	58,000	15.50	12.00	CX35-60C	SL280UH110XV60C	8248886
XC21-060-230	TXV	57,500	15.50	12.00	CX35-60C	SLP98UH090XV60C	8248887
XC21-060-230	TXV	58,000	15.50	12.00	CX35-60C	SLP98UH110XV60C	8248888
XC21-060-230	TXV	56,500	14.00	11.70	CX35-60D		8248898
XC21-060-230	TXV	57,500	15.50	12.00	CX35-60D	EL180UH090E60C	8248890
XC21-060-230	TXV	57,500	15.00	11.70	CX35-60D	EL195UH135XE60D	8248891
XC21-060-230	TXV	57,500	15.00	11.70	CX35-60D	EL296UH135XE60D	8248892
XC21-060-230	TXV	58,000	15.50	12.00	CX35-60D	EL296UH135XV60D	8248893
XC21-060-230	TXV	57,500	16.00	12.00	CX35-60D	SL280UH135V60D	8248894
XC21-060-230	TXV	58,000	15.50	11.70	CX35-60D	SLO185B124/141V60	8248895
XC21-060-230	TXV	58,000	15.50	11.70	CX35-60D	SLO185UF124/141V60	8248896
XC21-060-230	TXV	58,000	15.50	12.00	CX35-60D	SLP98UH135XV60D	8248897

### NOTES:

TXV = Matched with Thermostatic Expansion Valve.

RFC = Matched with RFC metering device.

All matches with EL195E and ML180E gas furnaces require the use of a Blower Motor Relay Kit (**85W66**) for proper unit operation.

Ratings are AHRI Certified to AHRI Standard 210/240 (with 25 ft. of connecting refrigerant lines); 95°F outdoor air temperature, 80°F db / 67°F wb entering evaporator air. All ratings include the use of a blower time delay relay (TDR). All Lennox variable-speed furnaces and Air Handlers have time delay capabilities. Other Furnaces and Air Handlers may require an optional time delay relay (**58M81**) for field installation. See furnace or air handler specifications to determine if relay is needed.

Also see Expansion Valve Kit Usage Table.





## REVISIONS

Sections	Description of Change
AHRI System Matches	Updated
Optional Accessories	New thermostats - iComfort® S30 and ComfortSense® 7500.



Visit us at [www.lennox.com](http://www.lennox.com)

For the latest technical information, [www.lennox.com](http://www.lennox.com)

Contact us at 1-800-4-LENNOX

NOTE - Due to Lennox' ongoing commitment to quality, Specifications, Ratings and Dimensions subject to change without notice and without incurring liability. Improper installation, adjustment, alteration, service or maintenance can cause property damage or personal injury. Installation and service must be performed by a qualified installer and servicing agency.

©2015 Lennox Industries, Inc.